

XS

2-inch LED Downlighting







Modern Simplicity

Clean ceilings and quality illumination in a contractor friendly 2-inch design

Dual purpose housing in remodel or new construction

All-in-one driver with 0-10V and phase dimming

2 SDCM ensuring color consistency and quality

Smooth 1% dimming standard



WET LOCATION



TITLE 24



XS 2-Inch Downlighting Solutions

Delivering uniform and discrete glare-free illumination, the XS downlighting family offers leading LED technology in a single, modular platform. Designed with quality and convenience in mind, XS offers the ultimate in contractor friendly installation.



Maximum Flexibility

The single platform is available in downlight, adjustable & wall wash luminaires. Interchangeable round and square trims provide the ultimate in flexibility.



Downlight



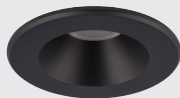
Adjustable



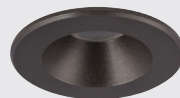
Wall Wash



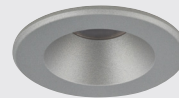
White



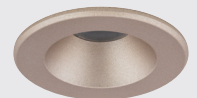
Black



Antique Bronze



Satin Nickel



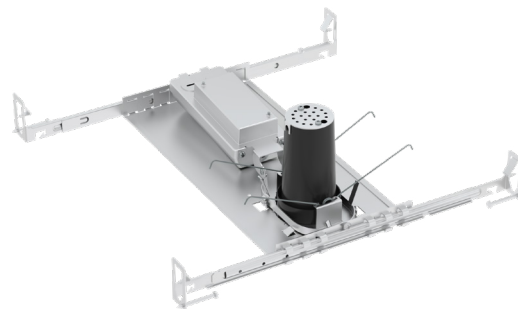
Wheat

Remodel or New Construction

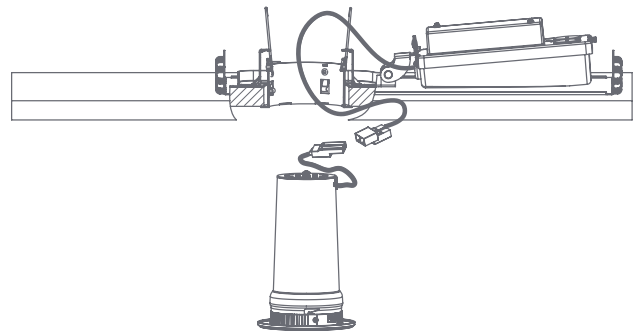
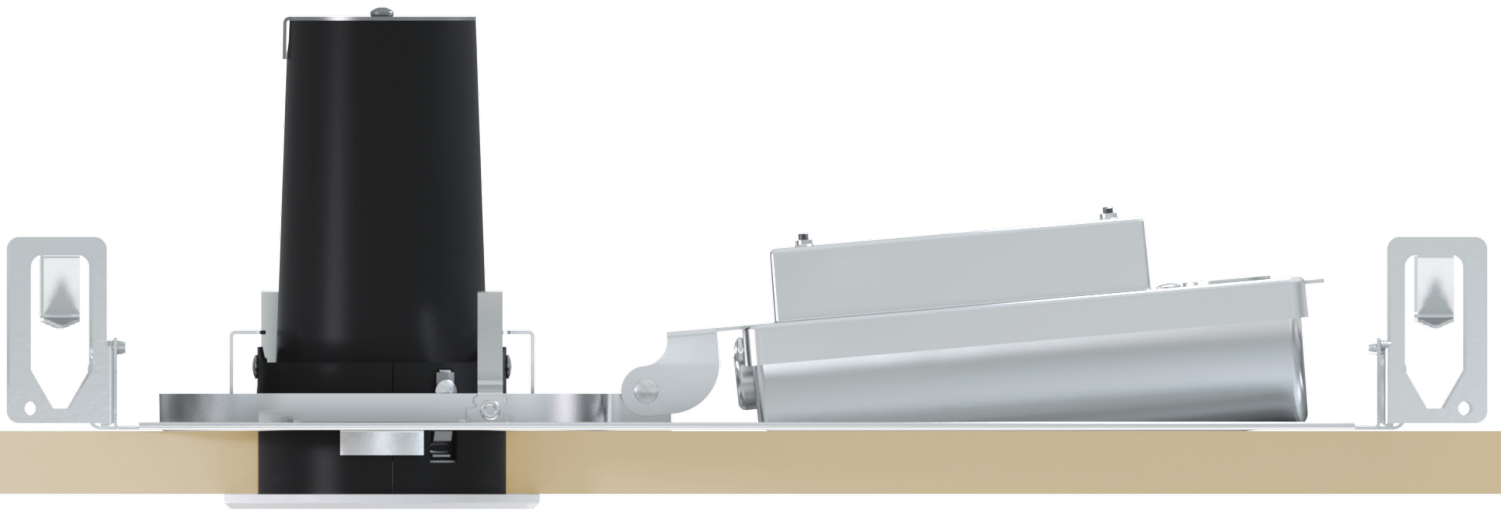
- Dual purpose housing in remodel or new construction
- Includes IC Air-Tight or Non-IC rated housing



XS2
2-Inch Remodel Housing

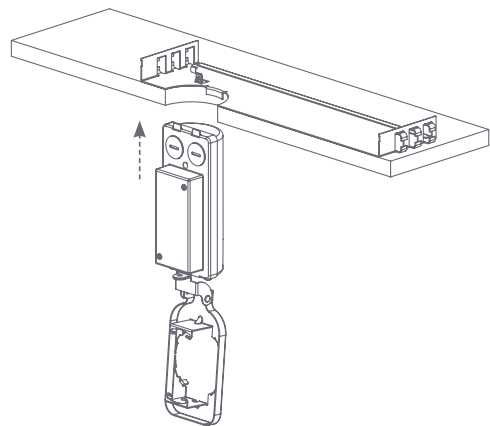


XS2-NCFR
2-Inch New Construction Flat Frame



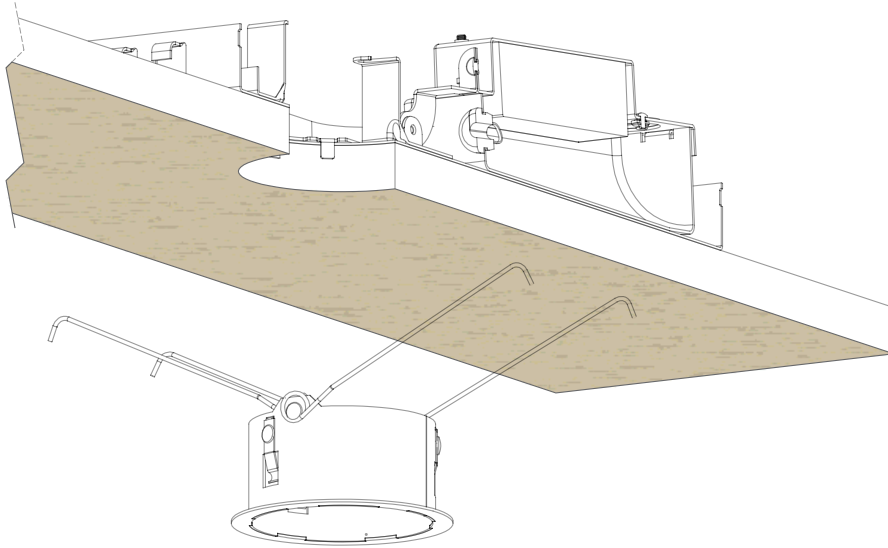
Hassle-Free Installation

The modular light engine allows for simple field replacement & upgrades. Easily access the trim assembly and driver from below the ceiling for maintenance or enhancements.

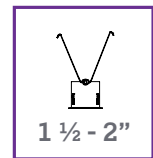
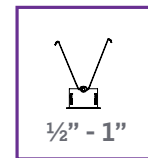


Collar Adjustment for Height Flexibility

Standard 1/2" collar accommodates up to 1" ceiling thickness. Extended collar options available for field installation up to 2-inch ceiling thickness.



ADJUSTABILITY



Discrete and Powerful

Discrete in form, XS 2-inch luminaires feature a 2 SDCM LED light engine and multiple CCT options at 82 & 92 CRI.

Field Changeable Optics

Available in 18° spot, 24° narrow flood and 36° flood.

2
SDCM

82 | 92
CRI | CRI

27 **30**
2700K 3000K
35 **41**
3500K 4100K

18
Degree

24
Degree

36
Degree

L0 ■ 750lm ■ 10W

L1 ■ 1100lm ■ 14W

Intense Lighting

3340 E. La Palma Ave.
Anaheim, CA 92806

tel 714 630-9877
fax 714 630-9883

info@intenselighting.com
www.intenselighting.com

A Leviton Company

www.leviton.com