

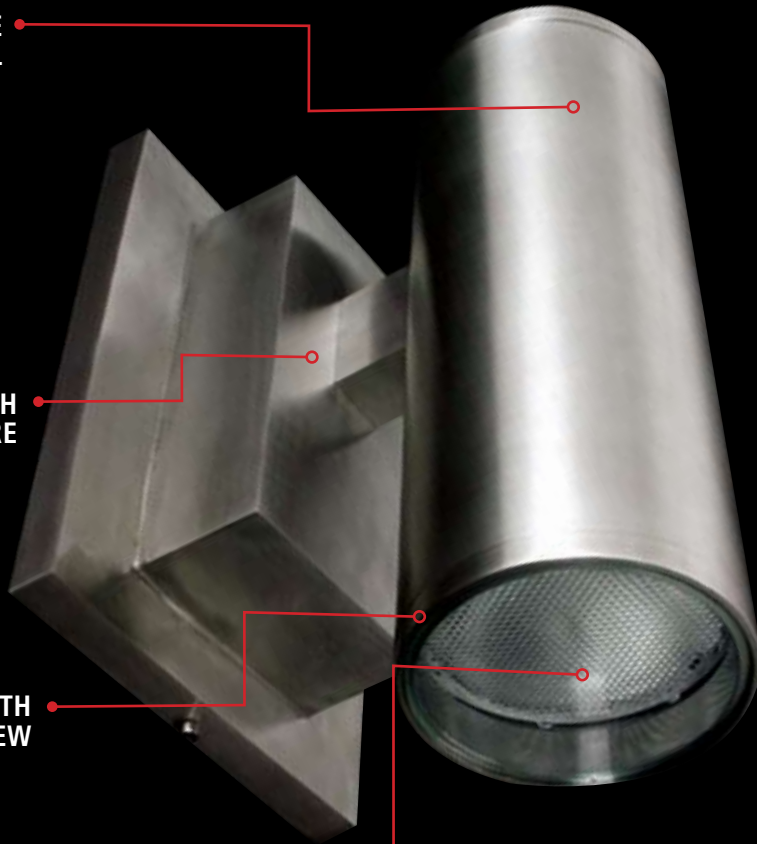


316 MARINE GRADE
STAINLESS STEEL

ARCHITECTURAL DESIGN WITH
CONCEALED MOUNTING HARDWARE

STATIC O-RING WITH
TAMPER PROOF SET-SCREW

INCANDESCENT, COMPACT FLUORESCENT
AND METAL HALIDE LAMP OPTIONS



Project Photograph | Gateway Plaza: Santa Clarita, California | Architect: KKE Architects, Inc. Pasadena, California

CAT. NO.	DIRECTION	LAMP TYPE	WATTAGE	SOCKET TYPE	BALLAST
IVT506	Down Light	Incandescent PAR20, PAR30S	50W, 70W	E26 Medium Base	
IVT511	Up/Down Light	Incandescent PAR20, PAR30S	(2) 35W	E26 Medium Base	
IVT506CF	Down Light	Compact Fluorescent TRT 4-Pin	13W, 18W, 26W	Universal G24 Socket	Advance SmartMate® 120/277V IntelliVolt® electronic ballast with inherent thermal protection
IVT506MH	Down Light	T6 HID Ceramic Metal Halide	39W, 70W	G12 Base	HPF Electronic Ballast With inherent Thermal Protection
IVT511MH	Up/Down Light	T6 HID Ceramic Metal Halide	(2) 39W	G12 Base	HPF Electronic Ballast With inherent Thermal Protection
IVT526MH	Down Light	HID Metal Halide PAR20MH	39W, 70W	E26 Medium Base	HPF Electronic Ballast With inherent Thermal Protection
IVT521MH	Up/Down Light	HID Metal Halide PAR20MH	(2) 39W	E26 Medium Base	HPF Electronic Ballast With inherent Thermal Protection
IVT546MH	Down Light	Mini Mastercolor® Ceramic Metal Halide	20W	PGJ5 Socket	Advance E-Vision Electronic Ballast. 90-132V HPF With inherent Thermal Protection
IVT541MH	Up/Down Light	Mini Mastercolor® Ceramic Metal Halide	(2) 20W	PGJ5 Socket	Advance E-Vision Electronic Ballast. 90-132V HPF With inherent Thermal Protection

**OUTDOOR
316 STAINLESS STEEL
CYLINDRICAL SCONCE**



INTENSE LIGHTING
2861 East La Palma Ave.
Anaheim, California 92806

Tel: (714) 630-9877 / Fax: (714) 630-9883
Toll Free: (800) 961-5321 / Toll Free Fax: (800) 961-5322
Quotes: (714) 630-9885 / Order Fax: (714) 630-9884

Visit Intense Lighting Online
<http://www.intenselighting.com>

INT0308V-1

© Copyright 2008. Intense Lighting. All Rights Reserved.

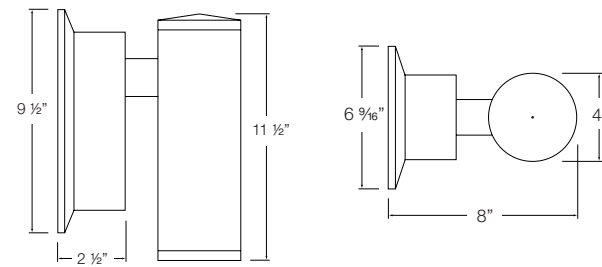


COMMERCIAL GRADE STAINLESS STEEL LIGHTING

THE NEXT GENERATION VORTECH HAS ARRIVED. INTRODUCING VORTECH V2, COMMERCIAL GRADE EXTERIOR LIGHTING. THE LARGER-SCALE VORTECH LINE IS DESIGNED TO SUIT HIGH-PROFILE OUTDOOR ARCHITECTURAL SPACES AND IS MADE FROM THE HIGHEST QUALITY STAINLESS STEEL DESIGNED TO WITHSTAND THE HARSHTEST ENVIRONMENTS. UTILIZING THE LATEST COMPACT FLUORESCENT AND HID METAL HALIDE LAMP SOURCES, THE NEW VORTECH V2 IS THE PERFECT CHOICE FOR ARCHITECTURAL AND COMMERCIAL APPLICATIONS.



Cylindrical Sconce Down



Description:

The Vortech Stainless Steel series is constructed of 316 marine grade stainless steel and is cold worked for superior corrosion resistance. Ideal for harsh environments and where corrosion is common. Aesthetically designed for a variety of commercial and retail applications.

Features:

- Prewired Integral Ballast for Ease of Installation
- Impact and Vandal Resistant
- 316 Marine Grade Stainless Steel
- Concealed Mounting Hardware

Housing:

Cylinder is 0.1" thick extruded 316 stainless steel with 0.275" die-cast 316 stainless canopy. Mounting bracket is 0.1" stamped 304 stainless steel. Natural stainless steel finish.

Labels:

ETL wet location listed

Mounting:

Fixture fully assembled including prewired ballast for easy installation. Mounts directly to surface using anchors and screws (supplied by others).

Ballast:

Compact Fluorescent Electronic

Advance SmartMate® 120/277V IntelliVolt® electronic ballast with inherent thermal protection. High power factor 0.97. Sound rated A. Class P. Minimum ballast temp -18°C / 0°F. Harmonic distortion < 10%. Outdoor type 1.

T6 / PAR20 / PAR30 Electronic MH

HPF electronic ballast with inherent thermal protection. Sound rated A. Minimum ballast temp -15°C / 5°F. Harmonic distortion < 20%. Outdoor type 1. Increased reliability and safety with lamp "Turn-off Function".

Mini Master Color Electronic MH

Advance E-Vision electronic ballast. 90-132V HPF electronic ballast with inherent thermal protection. Sound rated A. Minimum ballast temp -20°C / -4°F. Harmonic distortion 10%. Outdoor type 1.

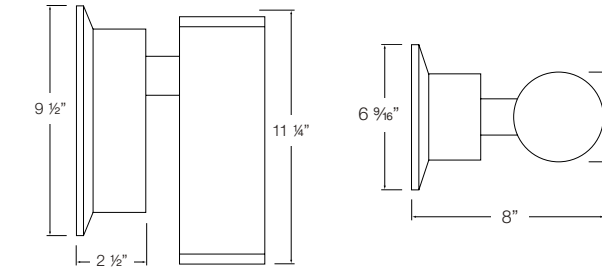
CAT. NO.	LAMP TYPE	WATTAGE
IVT506ST	Incandescent PAR20/30S	50/70W
IVT506CFST13	Compact Fluorescent TRT 4-Pin	13W
IVT506CFST18	Compact Fluorescent TRT 4-Pin	18W
IVT506CFST26	Compact Fluorescent TRT 4-Pin	26W
IVT506MHST39	T6 HID Ceramic Metal Halide 120V	39W
IVT506MHST39-27	T6 HID Ceramic Metal Halide 277V	39W
IVT506MHST70	T6 HID Ceramic Metal Halide 120V	70W
IVT506MHST70-27	T6 HID Ceramic Metal Halide 277V	70W
IVT526MHST39	HID Metal Halide PAR20MH 120V	39W
IVT526MHST39-27	HID Metal Halide PAR20MH 277V	39W
IVT526MHST70	HID Metal Halide PAR30MH 120V	70W
IVT526MHST70-27	HID Metal Halide PAR30MH 277V	70W
IVT546MHST20	Mini Mastercolor® Ceramic Metal Halide 120V	20W
IVT546MHST20-27	Mini Mastercolor® Ceramic Metal Halide 277V	20W

Specify T6 CMH / Mini Mastercolor® Reflector Optics:

- SP 15° Spot
- FL 45° Flood



Cylindrical Sconce Up/Down



Description:

The Vortech Stainless Steel series is constructed of 316 marine grade stainless steel and is cold worked for superior corrosion resistance. Ideal for harsh environments and where corrosion is common. Aesthetically designed for a variety of commercial and retail applications.

Features:

- Prewired Integral Ballast for Ease of Installation
- Impact and Vandal Resistant
- 316 Marine Grade Stainless Steel
- Concealed Mounting Hardware

Housing:

Cylinder is 0.1" thick extruded 316 stainless steel with 0.275" die-cast 316 stainless canopy. Mounting bracket is 0.1" stamped 304 stainless steel. Natural stainless steel finish.

Labels:

ETL wet location listed

Mounting:

Fixture fully assembled including prewired ballast for easy installation. Mounts directly to surface using anchors and screws (supplied by others).

Ballast:

Compact Fluorescent Electronic

Advance SmartMate® 120/277V IntelliVolt® electronic ballast with inherent thermal protection. High power factor 0.97. Sound rated A. Class P. Minimum ballast temp -18°C / 0°F. Harmonic distortion < 10%. Outdoor type 1.

T6 / PAR20 / PAR30 Electronic MH

HPF electronic ballast with inherent thermal protection. Sound rated A. Minimum ballast temp -15°C / 5°F. Harmonic distortion < 20%. Outdoor type 1. Increased reliability and safety with lamp "Turn-off Function".

Mini Master Color Electronic MH

Advance E-Vision electronic ballast. 90-132V HPF electronic ballast with inherent thermal protection. Sound rated A. Minimum ballast temp -20°C / -4°F. Harmonic distortion 10%. Outdoor type 1.

CAT. NO.	LAMP TYPE	WATTAGE
IVT511ST	Incandescent PAR20/30S	(2) 35W
IVT521MHST39	HID Metal Halide PAR20MH 120V	(2) 39W
IVT521MHST39-27	HID Metal Halide PAR20MH 277V	(2) 39W
IVT511MHST39	T6 HID Ceramic Metal Halide 120V	(2) 39W
IVT511MHST39-27	T6 HID Ceramic Metal Halide 277V	(2) 39W
IVT541MHST20	Mini Mastercolor® Ceramic Metal Halide 120V	(2) 20W
IVT541MHST20-27	Mini Mastercolor® Ceramic Metal Halide 277V	(2) 20W

Specify T6 CMH / Mini Mastercolor® Reflector Optics:

- SP 15° Spot
- FL 45° Flood