

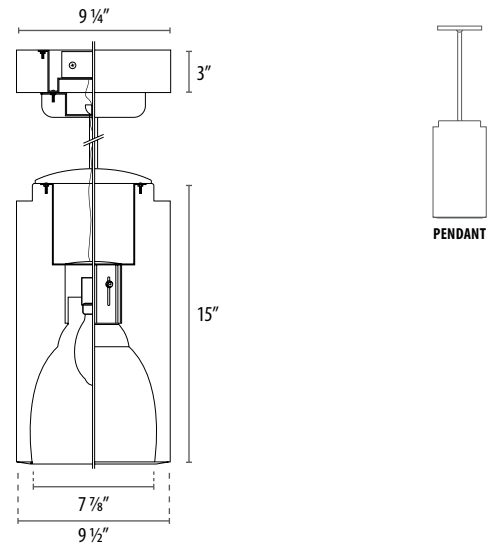
ARISTA®

ICCMR8

8" 150W Vertical HID Metal Halide Cylinder



Catalog Number	Type
Notes	



Housing Matrix | Example : ICCMR8100E-BC-P24

Series	Lamp	Ballast	Housing Finish	Reflector	Mounting
A	B	C	D	E	F
A	Series		D	Housing Finish	
ICCMR8	8" Vertical Cylinder		-N	Natural Aluminum Powder Coat	
B	Lamp		-B	White Powder Coat Black Powder Coat	
100	100W PAR38MH/ED-17		E	Reflector Finish	
150	150W ED-17		C	Clear	
C	Ballast		HZ	Haze	
E	Electronic 120/277V		F	Mounting	
			-P24	Pendant 24"	

Description:

Architectural 100W or 150W HID metal halide cylinder with specification grade reflector available with 8 inch aperture only. 24" pendant mount only, ballast is mounted in a separate housing to prevent heat damage to the lamp and ballast. Fixture is not for use with lens option.

Lamp:

100W PAR38MH / ED17
150W ED17

Socket:

E26 medium base socket for metal halide lamps.

Features:

- Durable aluminum spun housing
- Reflector optics designed to optimize vertically mounted lamps
- No visible hardware
- 24" pendant stem with canopy, consult factory for custom lengths.

Finishes:

Cylinder housings are available in standard, powder coated finishes including natural aluminum, or white or black. Consult factory for custom finishes and additional reflector options.

Ballast:

High power factor electronic HID metal halide

ballast.

- 120V or 277V input voltage at 50/60Hz
- High power factor
- Harmonic distortion < 15%
- Thermally protected
- Minimum ballast temp = -15°C
- Sound rated A
- NRTL listed

Mounting:

- 24" pendant stem with canopy, consult factory for custom lengths.

Listing:

NRTL listed for thru-branch wiring and damp locations. For non-IC recessed installation. NRTL listed to US and Canadian standards.

ARISTA®

Catalog#: ICCMR8100E

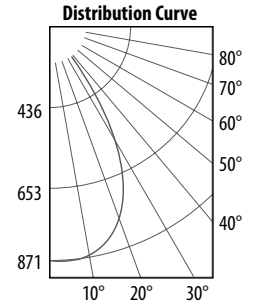
Description: Intense Lighting Eight Inch Incandescent Vertical Housing
 Lamp: Philips Duramax 100W A/WL
 Total Input Watts: 104.4 at 120.0 Volts
 1550 Lumens per lamp

Catalog Number	Type
Notes	

Zone	CP	Lumens
0	870	
10	800	81
20	752	214
30	573	318
40	183	237
50	7	41
60	3	4
70	2	3
80	1	2
90	0	1

Zone	Lumens	%Lamp	%Fixture
0-30	611.11	39.4	68.2
0-40	847.31	54.7	94.5
0-60	891.99	57.5	99.5
0-90	896.48	57.8	100
90-180	0	0	0
0-180	896.48	57.8	100
Total Luminaire Efficiency= 57.8%			

RC	80				70				50				30				0
	Wall Reflectance																
RW	70	50	30	10	70	50	30	10	50	30	10	50	30	10	0	0	
1	66	64	62	61	64	63	61	60	60	59	58	58	57	57	54	54	
2	62	59	57	55	61	58	56	54	57	55	53	55	53	52	50	50	
3	59	55	52	50	58	54	52	50	53	51	49	52	50	48	46	46	
4	56	52	48	46	55	51	48	46	50	47	45	48	46	44	43	43	
5	53	48	45	42	52	48	44	42	47	44	42	46	43	41	40	40	
6	50	45	41	39	49	45	41	39	44	41	39	43	40	38	37	37	
7	48	42	39	36	47	42	38	36	41	38	36	40	38	36	35	35	
8	45	40	36	34	45	39	36	34	39	36	34	38	35	33	32	32	
9	43	37	34	31	42	37	34	31	36	33	31	36	33	31	30	30	
10	41	35	32	29	40	35	32	29	34	31	29	34	31	29	28	28	



Catalog#: ICCMR8150E

Description: Intense Lighting Eight inch incandescent vertical housing.
 Lamp: Sylvania 150W A21
 Total Input Watts: 154.1 at 120.0 Volts
 2780 Lumens per lamp

Zone	CP	Lumens
0	792	
10	773	76
20	850	225
30	1041	452
40	781	597
50	264	396
60	25	83
70	5	10
80	3	4
90	0	2

Zone	Lumens	%Lamp	%Fixture
0-30	751.57	27	40.8
0-40	1348.07	48.5	73.2
0-60	1825.42	65.7	99.2
0-90	1840.94	66.2	100
90-180	0	0	0
0-180	1840.94	66.2	100
Total Luminaire Efficiency= 66.2%			

RC	80				70				50				30				0
	Wall Reflectance																
RW	70	50	30	10	70	50	30	10	50	30	10	50	30	10	0	0	
1	74	72	70	68	73	71	69	67	68	67	65	65	64	63	60	60	
2	70	66	62	60	68	65	62	59	62	60	58	60	58	56	54	54	
3	65	60	56	52	64	59	55	52	57	54	51	55	53	50	48	48	
4	61	54	50	46	59	54	49	46	52	48	46	51	48	45	43	43	
5	56	50	45	41	55	49	44	41	48	44	41	46	43	40	39	39	
6	53	45	40	37	52	45	40	37	44	40	37	43	39	36	35	35	
7	49	42	37	33	48	41	36	33	40	36	33	39	36	33	31	31	
8	46	38	33	30	45	38	33	30	37	33	30	36	32	30	28	28	
9	43	35	30	27	42	35	30	27	34	30	27	33	30	27	26	26	
10	40	33	28	25	40	32	28	25	32	27	25	31	27	25	23	23	

