

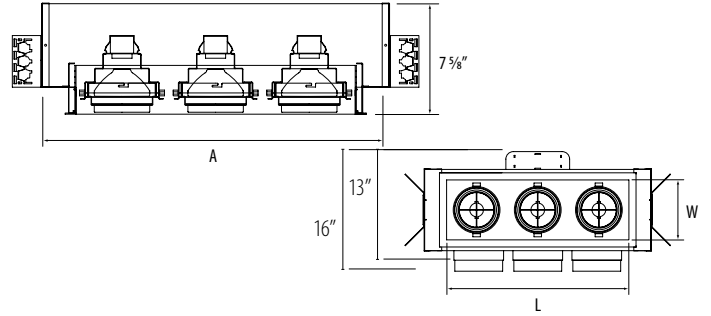


ICI-CMDR111

CDM-R111 Ceramic Metal Halide Multi-Light



Catalog Number	Type
Notes	



Lamps	Aperture			Cut Out	
	A	W	L	W	L
1	8 5/8"	6 15/16"	6 15/16"	7 9/16"	7 9/16"
2	16 1/8"	6 15/16"	12 1/16"	7 9/16"	14"
3	23 1/8"	6 15/16"	19 1/8"	7 9/16"	20 3/8"
4	30 1/8"	6 15/16"	25 9/16"	7 9/16"	26 13/16"

Housing Matrix | Example : ICL-CMDR111-4-70-WNF-I200

Series	Lamp	Wattage	Finishes	Accessories
A	B	C	D	E
A Series			D Finishes	
ICI-CMDR111	CDM-R111 Multi-Light		-BW Black Interior / White Trim -WW White Interior / White Trim -BNF Black Interior / Trimless -WNF White Interior / Trimless	
B Lamp				E Accessories
-1	CDM-R111(1) Lamp			
-2	CDM-R111(2) Lamp			
-3	CDM-R111(3) Lamp			
-4	CDM-R111(4) Lamp			
C Wattage				
-35	35W			
-70	70W			

Description:

The Pluris™ Series is designed for easy installation and fixture maintenance, with all parts and components accessible from below the ceiling. All Lamp holders are adjustable 365 degree horizontal and 45 degree vertical for spot lighting in multiple directions.

Actual adjustment may vary depending on the lamp beam spread. The Pluris™ CDM-R111 series is offered with a new construction frame and 1, 2, 3, or 4 lamp configurations.

Lamp:

CDM-R111 70W max. for each lamp.

Socket:

GX8.5 socket for CDM-R111 lamps

Mounting:

The Pluris™ luminaires can accommodate a 1/2" to 1 1/4" ceiling thickness. The Pluris™ fixture is supplied with channel brackets that allow up-to-5" vertical adjustment. 1/2" EMT or C-channel bars are the preferred system for T-bar ceiling and flat hanger bars for hard ceiling. Mounting bars must be ordered separately.

Mounting:

Channel kit provided up to 5" vertical adjustment which accommodates 1/2" EMT conduit, optional I100 or I200 bar hangers for T-bar grid or concealed spline ceiling. Can accommodate 1/2" to 1-1/4" ceiling thickness.

Flanged Trim:

Extruded trim frame comes with lamp holders installed, the trim also includes torsion springs for convenient installation or removal from the housing.

Trimless:

Optional extruded mud frame available for trimless mounting. The perforated mesh frame provided, adheres to ceiling compound for seamless and trimless mounting.

System Protection:

An integral thermal protector is attached to the junction box to guard against misuse of insulation around the fixture and overheating of the fixture.

Electrical:

Integral electronic ballast with 120/277V input. Junction box is NRTL listed for through branch wiring. Replacement of ballast is accessible through ceiling opening via access door on housing wall.

Listing:

ETL listed to US and Canadian standards for damp locations

Available By Special Order | Interior & Trim Finishes

Interior Finish: SV (Silver Interior)

Trim Finish: SV (Silver Finish), **B** (Black Trim)

PLURISR-030911 P-7

Intense Lighting | 2861, E La Palma Ave. | Anaheim, CA 92806 | **Phone:** 1.800.961.5321 | **Fax:** 1.800.961.5322 | www.intenselighting.com
Note: Specifications and dimensions subject to change without notice.

