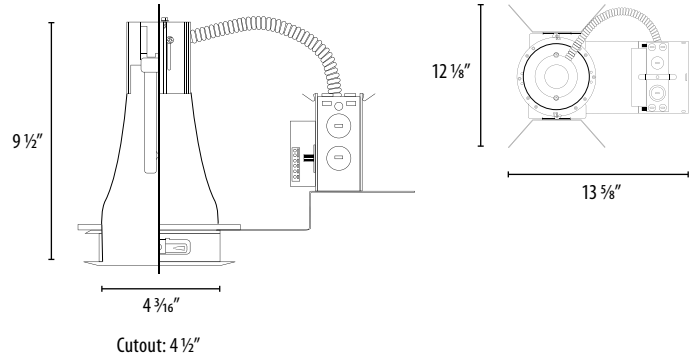


IFV4

4" Compact Fluorescent Vertical Architectural Frame

Catalog Number	Type
Notes	



Housing Matrix | Example: IFV426-LUT-27-EM-13

Series	Lamp	Ballast	Options
A	B	C	D
A Series		D Options	
IFV4	4" Compact Fluorescent Vertical	-1100 C-Channel bar hanger -1200 Flat bar hanger -1400 Wood joist hanger bar -EM Emergency 650 lm -EM-13 Emergency 1300 lm	
B Lamp			
13	(1) 13W TRT		
18	(1) 18W TRT		
26	(1) 26W TRT		
C Ballast			
E Electronic 120/277V			
E-347 Electronic 347V			
-ADV Advance Dimming 120V ¹			
-ADV-27 Advance Dimming 277V ¹			
-LUT Lutron Dimming 120V ¹			
-LUT-27 Lutron Dimming 277V ¹			

Description:

Vertical compact fluorescent downlight provides superior performance in a low glare small aperture. Designed for use in low to medium ceiling heights. Applications include retail, commercial and hospitality.

Lamp:

13/18/26W TRT 4-Pin

Socket:

Universal G24 4-Pin

Mounting Frame:

Heavy duty galvanized steel frame with extruded aluminum socket housing. Universal mounting brackets are furnished on all fixtures. C-channels and EMT are the preferred system for T-bar ceilings. Flat bars are ideal for hard ceilings.

Ballast:

Electronic Advance SmartMate Universal 120/277V electronic smart ballast to operate 1 and 2 lamp configurations from 13W to 42W. Programmed rapid start design will preheat lamp cathodes before applying full arc voltage. End of life protection circuitry ensures safe operation throughout entire lamp life cycle. 18°C minimum starting temp

Dimming:

Advance Mark X and Lutron Hi-Lume dimming ballast provide continuous, flicker free dimming from 100% to 5% for 18W-42W 4-pin lamps. Programmed rapid start design will preheat lamp cathodes before applying full arc voltage. End of life protection circuitry ensures safe operation throughout entire lamp life cycle. 10°C minimum starting temp.

Emergency:

- U.L. and C.U.L. Listed
- Long-Life High-Temperature Recyclable Ni-Cad Battery
- Painted Steel Case
- 90-Minute Emergency Operation
- Includes Test Switch/Charge Indicator Accessory Kit
- Dual Voltage 120/277V, 60Hz
- Time Delay Enhancement
- Open Circuit Isolation
- 5-Year Warranty

Listing:

NRTL listed for thru-branch wiring and damp locations. For non-IC recessed installation. NRTL listed to US and Canadian standards.



4" Vertical Reflector

Trim standard with white phenolic ring.
OD: 5 1/4"

- IC400C** Clear Reflector
- IC400C-SF** Clear Reflector Self Flanged

1-13W dimming only available in Advance Mark VII. Consult factory.