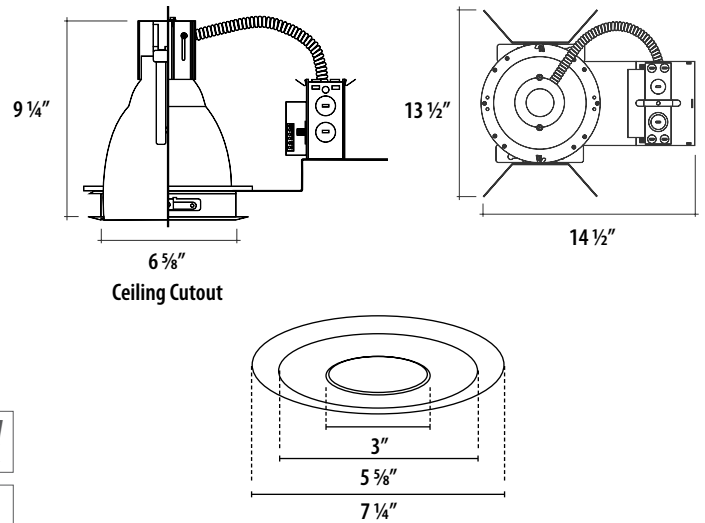




# IFV6 / IFZFM6V

6" Vertical Compact Fluorescent With Decorative Eco Resin Flush Mount

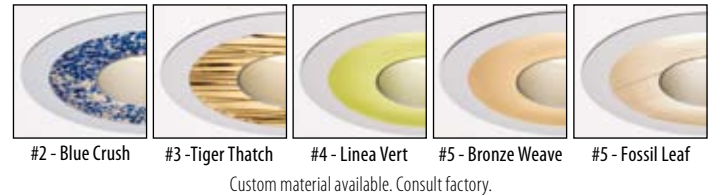
<b>Catalog Number</b>	<b>Type</b>
<b>Notes</b>	



### Vertical Housing | Example: IFV632-LUT-27-I400

Series	Lamp / Wattage	Ballast	Options
A	B	C	D
<b>A</b> Series		<b>C</b> Ballast	
<b>IFV6</b>	6" Vertical CF Housing	<b>E</b> Electronic 120/277V <b>-ADV</b> Advance Dimming 120V <sup>1</sup> <b>-ADV-27</b> Advance Dimming 277V <sup>1</sup> <b>-LUT</b> Lutron Dimming 120V <sup>1</sup> <b>-LUT-27</b> Lutron Dimming 277V <sup>1</sup>	
<b>B</b> Lamp / Wattage		<b>D</b> Options	
<b>13</b>	(1) 13W DTT/TRT	<b>-I100</b> C-Channel Bar Hangers	
<b>18</b>	(1) 18W DTT/TRT	<b>-I200</b> Flat Bar Hangers	
<b>26</b>	(1) 26W DTT/TRT	<b>-I400</b> Wood Joist Hanger Bars	
<b>32</b>	(1) 32W TRT	<b>-EM</b> Emergency 650 lm	
<b>42</b>	(1) 42W TRT	<b>-EM-13</b> Emergency 1300 lm	

Notes:  
1 - 13W dimming only available in Advance Mark VII. Consult factory.



**Housing Features:**  
Heavy duty galvanized steel frame. Large access junction box. NRTL listed for through wiring. (4) 1/2", (1) 3/4" and (4) Romex knock outs with pry-out slots. Universal mounting bracket adjusts for multiple ceiling types. Accepts (I100) C-channel, (I200) flat bar or (I400) wood joist bar hangers

**Lamp/Socket:**  
(1) 13/18/26/32/42W TRT / Universal G24 4-Pin

**Decorative Material:**  
Engineered to incorporate 40% post-industrial reclaimed material. Produced from Spectar\* copolyester PETG, a non-toxic, polyester resin that stems from and is compatible with the PET family of materials. Chemical resistant for easy cleaning and reliable use in a variety of demanding environments. Exceed the stringent impact requirements for safety glazing, 40 times the impact strength of glass. UV stabilized. Custom material available. Consult factory.

**Reflector:**  
Specification grade Alzak® reflector  
Inner reflector: low iridescent reflector in haze or white with a sand blasted lens to conceal the lamp source and keep insects out. The flange is available in polished haze or optional painted white.

**Mounting:**  
Frames have installed universal mounting brackets. C-channel bars and EMT are the preferred system for T-bar ceilings and flat bars are ideal for hard ceilings.

**Ballast:**  
Advance Electronic 120/277V Ballast:  
13/18/26/32/42W 4 PIN triple tube or quad lamp, NRTL listed, high power factor, class P, sound rated A, type 1 outdoor, inherent thermal protection, no PCB's. Min start 0°F. Max THD 10%.

Electronic Advance Mark X Dimmable Ballast:  
18/26/32/42W 4 PIN triple tube or quad lamp, must specify 120V or 277V, dims to 5%, NRTL listed, high power factor, class P, sound rated A, type 1 outdoor, inherent thermal protection, no PCB's

Electronic Lutron Hi-Lume Dimmable Ballast:  
18/26/32/42W 4 PIN triple tube or quad lamp, must specify 120V or 277V, dims to 5%, NRTL listed, high power factor, Class P, sound rated A, Max THD 10%, no PCB's, output voltage 600V max, 75°C max case temp.

**Labels:**  
NRTL listed to US and Canadian standards for damp locations. NRTLs recognized by OSHA include CSA, ETL, UL, and others.

### Flush Mount Vertical Reflector | Example: IFZFM6VHZH-6

Series	Aperture	Interior Reflector Finish	Flange Finish	Material
A	B	C	D	E
<b>A</b> Series			<b>D</b> Flange Finish	
<b>IFZFM</b>	Flush Mount		<b>W</b> White <b>HZ</b> Haze	
<b>B</b> Aperture			<b>E</b> Material	
<b>6V</b>	6" Vertical Trim		<b>-1</b> Red Crush <b>-2</b> Blue Crush <b>-3</b> Tiger Thatch <b>-4</b> Linea Vert <b>-5</b> Bronze Weave <b>-6</b> Fossil Leaf	
<b>C</b> Interior Reflector Finish				
<b>W</b> White <b>HZ</b> Haze				

