



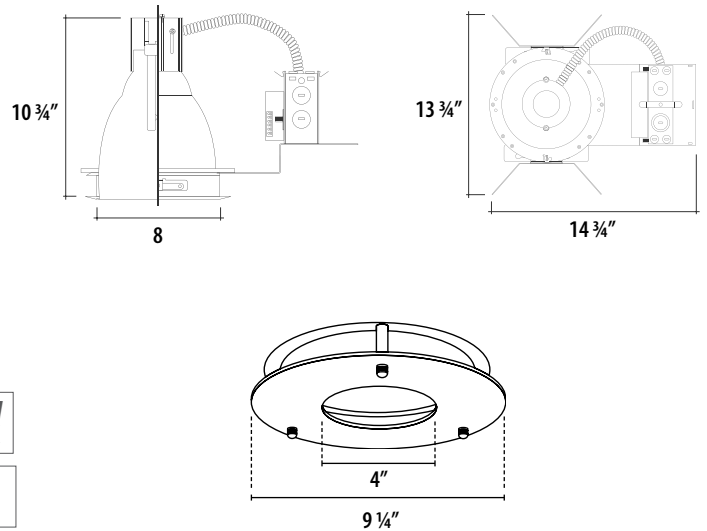
# IFV8 / IFZDM8V

8" Vertical Compact Fluorescent With Decorative Eco Resin Drop Mount

<b>Catalog Number</b>	<b>Type</b>
<b>Notes</b>	



#6 - Fossil Leaf



### Vertical Housing | Example: IFV832-LUT-27-I400

Series	Lamp / Wattage	Ballast	Options
A	B	C	D
<b>A</b> Series		<b>C</b> Ballast	
<b>IFV8</b>	8" Vertical CF Housing	<b>E</b> Electronic 120/277V <b>-ADV</b> Advance Dimming 120V <sup>1</sup> <b>-ADV-27</b> Advance Dimming 277V <sup>1</sup> <b>-LUT</b> Lutron Dimming 120V <sup>1</sup> <b>-LUT-27</b> Lutron Dimming 277V <sup>1</sup>	
<b>B</b> Lamp / Wattage		<b>D</b> Options	
<b>13</b>	(1) 13W DTT/TRT	<b>-I100</b> C-Channel Bar Hangers	
<b>18</b>	(1) 18W DTT/TRT	<b>-I200</b> Flat Bar Hangers	
<b>26</b>	(1) 26W DTT/TRT	<b>-I400</b> Wood Joist Hanger Bars	
<b>32</b>	(1) 32W TRT	<b>-EM</b> Emergency 650 lm	
<b>42</b>	(1) 42W TRT	<b>-EM-13</b> Emergency 1300 lm	

Notes:  
1 -13W dimming only available in Advance Mark VII. Consult factory.



#1 - Red Crush #2 - Blue Crush #3 - Tiger Thatch #4 - Linea Vert #5 - Bronze Weave

Custom material available. Consult factory.

### Housing Features:

Heavy duty galvanized steel frame. Large access junction box. NRTL listed for through wiring. (4) 1/2", (1) 3/4" and (4) Romex knock outs with pry-out slots. Universal mounting bracket adjusts for multiple ceiling types. Accepts (I100) C-channel, (I200) flat bar or (I400) wood joist bar hangers

### Lamp/Socket:

(1) 13/18/26/32/42W TRT / Universal G24 4-Pin

### Decorative Material:

Engineered to incorporate 40% post-industrial reclaimed material. Produced from Spectar\* copolyester PETG, a non-toxic, polyester resin that stems from and is compatible with the PET family of materials. Chemical resistant for easy cleaning and reliable use in a variety of demanding environments. Exceed the stringent impact requirements for safety glazing, 40 times the impact strength of glass. UV stabilized. Custom material available. Consult factory.

### Reflector:

Specification grade Alzak® reflector in a standard haze finish available with a polished flange or optional painted white flange. Additional reflector finishes are available by special order. Trim includes drop mount hardware in satin nickel, optional mocha hardware is available by special order. Consult factory for special order reflectors or drop mount hardware. Reflectors are made in the USA.

### Mounting:

Frames have installed universal mounting brackets. C-channel bars and EMT are the preferred system for T-bar ceilings and flat bars are ideal for hard ceilings.

### Ballast:

Advance Electronic 120/277V Ballast:  
13/18/26/32/42W 4 PIN triple tube or quad lamp, NRTL listed, high power factor, class P, sound rated A, type 1 outdoor, inherent thermal protection, no PCB's. Min start 0°F. Max THD 10%.

Electronic Advance Mark X Dimmable Ballast:  
18/26/32/42W 4 PIN triple tube or quad lamp, must specify 120V or 277V, dims to 5%, NRTL listed, high power factor, class P, sound rated A, type 1 outdoor, inherent thermal protection, no PCB's

Electronic Lutron Hi-Lume Dimmable Ballast:  
18/26/32/42W 4 PIN triple tube or quad lamp, must specify 120V or 277V, dims to 5%, NRTL listed, high power factor, Class P, sound rated A, Max THD 10%, no PCB's, output voltage 600V max, 75°C max case temp.

### Labels:

NRTL listed to US and Canadian standards for damp locations. NRTLs recognized by OSHA include CSA, ETL, UL, and others.

### Drop Mount Vertical Reflector | Example: IFZDM8VW-6

Series	Aperture	Flange Finish	Material
A	B	C	D
<b>A</b> Series		<b>D</b> Material	
<b>IFZDM</b>	Drop Mount	<b>-1</b> Red Crush <b>-2</b> Blue Crush <b>-3</b> Tiger Thatch <b>-4</b> Linea Vert <b>-5</b> Bronze Weave <b>-6</b> Fossil Leaf	
<b>B</b> Aperture			
<b>8V</b>	8" Vertical Trim		
<b>C</b> Flange Finish			
<b>W</b> White			
<b>HZ</b> Haze			

### Available By Special Order

Reflector finish is standard haze Alzak®. Alzak® finishes available by special order: C (clear), WHT (wheat), G (gold), MO (mocha), GR (graphite)

Drop hardware standard satin nickel. Mocha available. Consult factory

INFUZ R-112409 P-4

Intense Lighting | 2861, E La Palma Ave. | Anaheim, CA 92806 | Phone: 1.800.961.5321 | Fax: 1.800.961.5322 | www.intenselighting.com

Note: Specifications and dimensions subject to change without notice.

