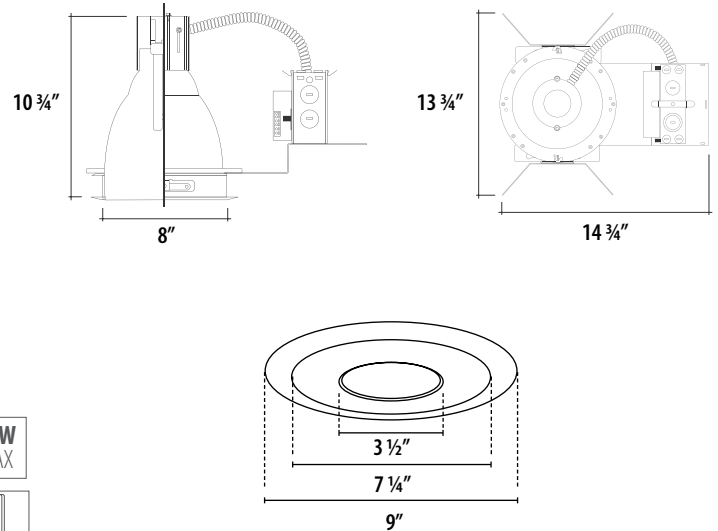




IFV8 / IFZFM8V

8" Vertical Compact Fluorescent With Decorative Eco Resin Flush Mount

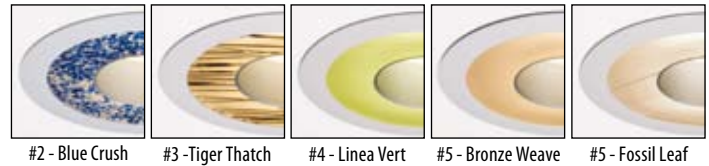
Catalog Number	Type
Notes	



Vertical Housing | Example: IFV832-LUT-27-I400

Series	Lamp / Wattage	Ballast	Options
A	B	C	D
A Series		C Ballast	
IFV8	8" Vertical CF Housing	E Electronic 120/277V -ADV Advance Dimming 120V ¹ -ADV-27 Advance Dimming 277V ¹ -LUT Lutron Dimming 120V ¹ -LUT-27 Lutron Dimming 277V ¹	
B Lamp / Wattage		D Options	
13	(1) 13W DTT/TRT	-I100 C-Channel Bar Hangers	
18	(1) 18W DTT/TRT	-I200 Flat Bar Hangers	
26	(1) 26W DTT/TRT	-I400 Wood Joist Hanger Bars	
32	(1) 32W TRT	-EM Emergency 650 lm	
42	(1) 42W TRT	-EM-13 Emergency 1300 lm	

Notes:
1 - 13W dimming only available in Advance Mark VII. Consult factory.



Custom material available. Consult factory.

Flush Mount Vertical Reflector | Example: IFZFM8VHZ-6

Series	Aperture	Interior Reflector Finish	Flange Finish	Material
A	B	C	D	E
A Series			D Flange Finish	
IFZFM	Flush Mount		W White HZ Haze	
B Aperture			E Material	
8V	8" Vertical Trim		-1 Red Crush -2 Blue Crush -3 Tiger Thatch -4 Linea Vert -5 Bronze Weave -6 Fossil Leaf	
C Interior Reflector Finish				
W White HZ Haze				

Housing Features:

Heavy duty galvanized steel frame. Large access junction box. NRTL listed for through wiring. (4) 1/2", (1) 3/4" and (4) Romex knock outs with pry-out slots. Universal mounting bracket adjusts for multiple ceiling types. Accepts (1100) C-channel, (1200) flat bar or (1400) wood joist bar hangers

Lamp/Socket:

(1) 13/18/26/32/42W TRT / Universal G24 4-Pin

Decorative Material:

Engineered to incorporate 40% post-industrial reclaimed material. Produced from Spectar* copolyester PETG, a non-toxic, polyester resin that stems from and is compatible with the PET family of materials. Chemical resistant for easy cleaning and reliable use in a variety of demanding environments. Exceed the stringent impact requirements for safety glazing, 40 times the impact strength of glass. UV stabilized. Custom material available. Consult factory.

Reflector:

Specification grade Alzak® reflector
Inner reflector: low iridescent reflector in haze or white with a sand blasted lens to conceal the lamp source and keep insects out. The flange is available in polished haze or optional painted white.

Mounting:

Frames have installed universal mounting brackets. C-channel bars and EMT are the preferred system for T-bar ceilings and flat bars are ideal for hard ceilings.

Ballast:

Advance Electronic 120/277V Ballast:
13/18/26/32/42W 4 PIN triple tube or quad lamp, NRTL listed, high power factor, class P, sound rated A, type 1 outdoor, inherent thermal protection, no PCB's. Min start 0°F. Max THD 10%.

Electronic Advance Mark X Dimmable Ballast:
18/26/32/42W 4 PIN triple tube or quad lamp, must specify 120V or 277V, dims to 5%, NRTL listed, high power factor, class P, sound rated A, type 1 outdoor, inherent thermal protection, no PCB's

Electronic Lutron Hi-Lume Dimmable Ballast:
18/26/32/42W 4 PIN triple tube or quad lamp, must specify 120V or 277V, dims to 5%, NRTL listed, high power factor, Class P, sound rated A, Max THD 10%, no PCB's, output voltage 600V max, 75°C max case temp.

Labels:

NRTL listed to US and Canadian standards for damp locations. NRTLs recognized by OSHA include CSA, ETL, UL, and others.

