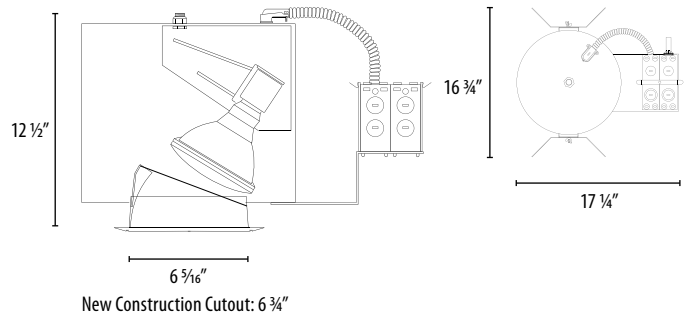


IHMA6

6" HID Metal Halide Adjustable Architectural Frame

Catalog Number	Type
Notes	



Housing Matrix | Example: IHMA6100E-I400

Series	Lamp/Wattage	Ballast	Options
A	B	C	D
A Series		C Series	
IHMA6	6"Adjustable HID Metal Halide	E	Electronic 120/277V
B Lamp/Wattage		D Options	
039	39W PAR30MH	-I100	C-Channel Bar Hanger
070	70W PAR30MH/PAR38MH	-I200	Flat Bar Hanger
100	100W PAR38MH	-I400	Wood Joist Hanger Bar

Description:

HID metal halide adjustable accent with 40° vertical adjustment and rotates 360°. Applications include wall washing and accent lighting. Recommended for higher ceiling areas or applications that require higher illumination levels.

Lamp:

39W PAR30MH
70W PAR30MH/38MH
100W PAR38MH

Socket:

E26 medium base socket for protected HID lamps

Mounting Frame:

Heavy duty powder coated steel frame. Universal mounting brackets are furnished on all fixtures. C-channels and EMT are the preferred system for T-bar ceilings. Flat bars are ideal for hard ceilings.

Ballast:

High power factor electronic HID metal halide ballast.

- 120V or 277V input voltage at 50/60Hz
- High power factor
- Harmonic distortion < 15%
- Thermally protected
- Minimum ballast temp = -15°C
- Sound rated A
- NRTL listed

Listing:

NRTL listed for thru-branch wiring and damp locations. Use of designated trims allows use in wet location. See trim selection. For non-IC recessed installation. NRTL listed to US / Canadian standards.



6" Accent Reflector

High quality reflector.
OD: 7 1/4"

IC60040C-SF	Clear Reflector / Self Flanged
IC60040C-SFW	Clear Reflector / Self Flanged White
IC60040SD-SF	Semi Diffused Reflector / Self Flanged Semi Diffused
IC60040SD-SFW	Semi Diffused Reflector / Self Flanged Semi Diffused White



6" Wall Wash With Spread lens

High quality reflector w/ glass spread lens.
OD: 7 1/4"

ICH615C-SF	Clear Reflector / Self Flanged
ICH615C-SFW	Clear Reflector / Self Flanged White
ICH615SD-SF	Semi Diffused Reflector / Self Flanged Semi Diffused
ICH615SD-SFW	Semi Diffused Reflector / Self Flanged Semi Diffused White