

ILED6RAIC

6" LED Airtight IC Rated Remodel 700Lm 14W

Catalog Number	Type
Notes	



T24

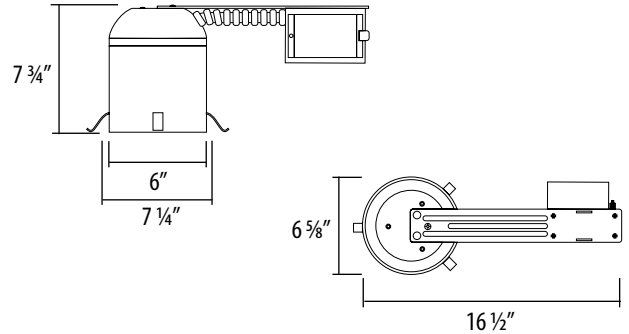
Title 24



LED 14W

AT

ASTM E283



Ceiling Cut-Out: 6 1/2"
Height: 7 3/4"

Housing Matrix | Example : ILED6RAIC70030

Series		Lumens / Color Temperature	
A		B	
A	Series	B	Lumens / Color Temp.
ILED6RAIC	6" LED Remodel Air Tight	70030	700lm 3000k

Trim / Description

6" Open Reflector



ICRL60C-SFW	6" Open Reflector Clear / Self Flanged White
ICRL60SD-SFW	6" Open Reflector Semi Diffused / Self Flanged White
ICRL60W-SF	6" Open Reflector White / Self Flanged

6" Regressed Lens Reflector



ICRL62C-SFW	6" Regressed Clear / Self Flanged White
ICRL62SD-SFW	6" Regressed Semi Diffused / Self Flanged White
ICRL62W-SF	6" Regressed White / Self Flanged

Specify Lens Type: -**CR:** Tempered Clear, -**SB:** Tempered Sand Blasted

6" Baffle



ICBL60SN-SF	6" Baffle Satin Nickel / Self Flanged
ICBL60MO-SF	6" Baffle Mocha / Self Flanged
ICBL60B-SFW	6" Baffle Black / Self Flanged White
ICBL60W-SF	6" Baffle White / Self Flanged

6" Shower Baffle with Lens



ICBL62MO-SF	6" Shower Baffle Mocha / Self Flanged
ICBL62SN-SF	6" Shower Baffle Satin Nickel / Self Flanged
ICBL62W-SF	6" Shower Baffle White / Self Flanged
ICBL62B-SFW	6" Shower Baffle Black / Self Flanged

Specify Lens Type: -**CR:** Tempered Clear, -**SB:** Tempered Sand Blasted

Notes:

- Trim OD: 7 1/4"
- Self Flanged Trim Standard
- Finish Code: W (white), B (black), SN (satin nickel), C (clear), SD (semi diffused)

Description:

The ILED6RAIC recessed down light can be used for either commercial or residential remodel applications. Housing installs through existing cut out and is secured in place by four high tension springs. For use insulated ceilings. Designed for direct contact with insulation. Airtight certified ASTM E283

LED Light Engine:

700lm LED Light Engine:
 - Nominal input power = 14W
 - Nominal delivered lighting output = 700lm
 - 65° beam spread
 - 3000K color temperature 83 CRI
 - LED's mounted to die cast aluminum heat sink
 - 50,000 of average rated life at 70% output
 - Fixture should not be installed in applications with an ambient temperature above 50°C. Applications with an installation above 50°C will result in reduced lamp life and void warranty
 - LED module is easily upgradable to accommodate future solid state lighting technology

Optical System:

Innovative optical design: a controlled light distribution at a 65° cut off.

Junction Box:

Galvanized steel junction box with 1/2" and romex wiring knockouts, with removable access plates for easy installation.

Installation:

Includes adjustable hanger bars (14"-25") with integral nail. Bar hangers can be repositioned 90° without tools. Barhangers can be locked into place with locking screws.

700lm Electrical System:

- 120V/60Hz input
- 700mA constant current output (16.8W max.)
- Class 2 power supply
- Over-voltage, over current and short circuit protection: auto recovery
- MTBF > 100,000 hours
- Consult factory for emergency

Dimming:

Dimming to 10% with standard triac or electronic low voltage dimmers. Consult factory for compatible dimmers.

Listing:

NRTL listed to US and Canadian standards for damp locations. Lensed Reflector is wet location listed. NRTLs recognized by OSHA include CSA, ETL, UL, and others. Airtight certified ASTM E283 3 Year Warranty

RECESSED R-062810 P-2

Intense Lighting | 2861, E La Palma Ave. | Anaheim, CA 92806 | Phone: 1.800.961.5321 | Fax: 1.800.961.5322 | www.intenselighting.com

Note: Specifications and dimensions subject to change without notice.

