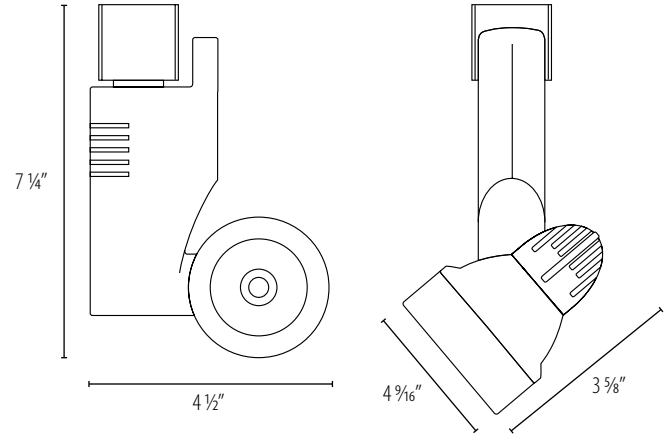


# ITLED60

Track Head LED 10W

Catalog Number	Type
Notes	



**Housing Matrix** | Example : ITLED60W-PS

Series	Finish	Options
A	B	C
<b>A</b>   Series		<b>C</b>   Options
<b>ITLED60</b>   Track Head LED 10W		<b>-PS</b>   120V ProSeries
<b>B</b>   Finish		
<b>W</b>   White		
<b>B</b>   Black		
<b>SV</b>   Silver		

**LED Light Engine:**

- Nominal Input Power = 800mA
- Lumens Delivered = 650lm ( 65 lm / W)
- 30° beam spread
- 3000K = color temperature
- 75 CRI
- 50,000 hours rated life at 70% output OK

**Features:**

- Energy savings LED
- Integral electronic driver
- Slim profile
- Architectural design
- Die-Cast aluminum construction
- Compatible with Professional Series track system

**Track Compatibility:**

Track luminaire is designed for use with the following track systems:

- Single Circuit/Single Neutral
- Two Circuit/Single Neutral

As a default, the track adapter is shipped from the factory for use with the single circuit track system. Positive contact is in the "down" position. Raise contact with a screwdriver or pliers to the "up" position for two circuit compatibility

**Professional Series Option:**

Track fixture is compatible with Intense Two Circuit / Two Neutral Professional Track series. Track adapter is factory installed on fixture.

**Two Circuit / Two Neutral 120V:**

The independent neutrals guarantee that the two circuits are completely isolated. Independent neutrals also offer twice the power handling capacity of ordinary common neutral track.

**Listing:**

NRTL listed to US and Canadian standards for dry locations. NRTLs recognized by OSHA include CSA, ETL, UL, and others.