

# ITH22

## HID Metal Halide

### ED-17 Track

<b>Catalog #:</b>	<b>Type:</b>
<b>Notes:</b>	

#### Product Specifications

**Description:**

ED-17 metal halide track fixture. Able to rotate up to 358° in the horizontal plane for added versatility. Excellent color rendition and long lamp life. Reflector available in flood or spot beam spread.

**Lamp:**

70/100W ED17

**Socket:**

E26 Medium Base

**Features:**

- Electronic metal halide ballast
- All diecast aluminum construction
- Aesthetically pleasing and energy efficient
- Clear tempered safety lens
- Integral ballast
- One or two circuit capability
- Available in spot reflector or flood reflector

**Electronic Ballast:**

High Power Factor.

Input:

.27A @ 70W

.40A @ 100W

Open Circuit Voltage 300V max.

Sound Rated A

Max. case temp +80°C

Ignition Voltage 4.0KV max.

THD < 5%

PF > 98%

Outdoor Type 1

**Track Compatibility:**

Single/two circuit positive contact is present to "down" position at factory, but may be raised to the higher position to install onto the second circuit.

**Professional Series Option:**

Track fixture is compatible with Intense Two Circuit / Two Neutral Professional Track series. Track adapter is factory installed on fixture. Must specify -27 for 277V.

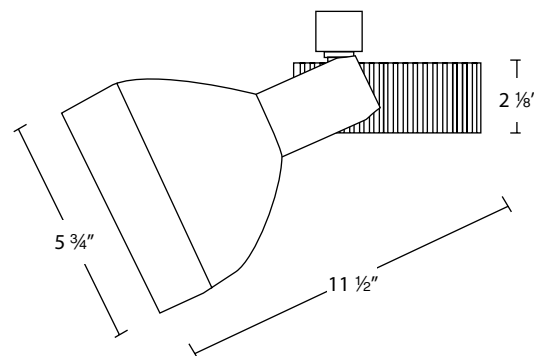
Two Circuit / Two Neutral 120V. The independent neutrals guarantee that the two circuits are completely isolated. Independent neutrals also offer twice the power handling capacity of ordinary common neutral track.

Two Circuit / Two Neutral 277V The Intense Professional Series 2-cct/2-neutral 277V track system is well suited for larger retail and institutional applications where a number of metal halide or fluorescent fixtures are used. The 277V system offers twice the capacity of ordinary 120V track allowing for substantially longer runs with more fixtures between feed points. This translates into enhanced aesthetics and reduced installation costs.

**Listing:**

NRTL listed for dry locations

#### Dimensions



#### Ordering Matrix

### ITH22

Series

Wattage/Lamp

070 70W ED17  
100 100W ED17

Reflector

-FL flood reflector  
-SP spot reflector

Finish

W white  
B black

Option

-PS 120V pro series  
-PS-27 277V pro series

\*Note: Specifications and dimensions subject to change without notice.

