

ITH55

HID Metal Halide

T6 Cast Wire Track Fixture

Catalog #:	Type:
Notes:	

Product Specifications

Description:

T6 ceramic metal halide ceramic cast wire track fixture. Able to rotate up to 358° in the horizontal plane for added versatility. Excellent color rendition and long lamp life. Reflector available in flood or spot beam spread.

Lamp:

T6 MH 39/70W

Socket:

G12

Features:

- Electronic metal halide ballast
- All diecast aluminum construction
- Aesthetically pleasing and energy efficient
- Clear tempered safety lens
- Integral ballast
- One or two circuit capability
- Available in 15° spot reflector or 45° flood reflector

Electronic Ballast:

High Power Factor.
 Input:
 .15A @ 39W
 .27A @ 70W
 Open Circuit Voltage 300V max.
 Sound Rated A
 Max. case temp +80°C
 Ignition Voltage 4.0KV max.
 THD < 5%
 PF > 98%
 Outdoor Type 1

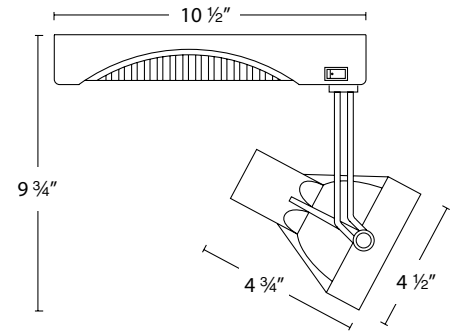
Track Compatibility:

Single/two circuit positive contact is present to "down" position at factory, but may be raised to the higher position to install onto the second circuit.

Listing:

NRTL listed for dry locations

Dimensions



Ordering Matrix

ITH55

Series	Wattage/Lamp	Reflector	Finish
	039 39W MHT6 070 70W MHT6	-FL 45° flood reflector -SP 15° spot reflector	W white B black

*Note: Specifications and dimensions subject to change without notice.

