

# ITH82 - Tangent Mini T4

CMH T4 GU6.5 Base

<b>Catalog #:</b>	<b>Type:</b>
<b>Notes:</b>	

## Product Specifications

### Lamp/Socket:

20W T4 CMH GU6.5 Base

### Features:

- Slim profile
- Architectural design
- Electronic Ballast
- 15-degree reflector standard
- Die-cast aluminum construction
- Lockable aiming
- Manual on/off power switch
- Compatible with Professional Series track system

### Track Compatibility:

Single/two circuit positive contact is present to "down" position at factory, but may be raised to the higher position to install onto the second circuit.

### Electronic Ballast:

- 5 Years ballast manufacture warranty
- End of lamp life protection
- High Power Factor.
- Open Circuit Voltage 300V max.
- Sound Rated A
- Max. case temp +80°C
- Ignition Voltage 4.0KV max.
- THD < 5%
- PF > 98%
- Outdoor Type 1

### Professional Series Option:

Track fixture is compatible with Intense Two Circuit / Two Neutral Professional Track series. Track adapter is factory installed on fixture.

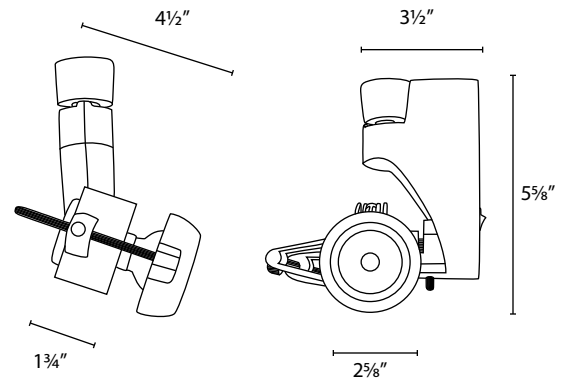
### Two Circuit / Two Neutral 120V

The independent neutrals guarantee that the two circuits are completely isolated. Independent neutrals also offer twice the power handling capacity of ordinary common neutral track.

### Listing:

NRTL Listed for dry locations

## Dimensions



## Ordering Matrix

### ITH82

Series	Wattage	Finish	Options
	020 20W T4 GU6.5	W white B black SN silver	-PS 120V pro series

\*Note: Specifications and dimensions subject to change without notice.

2861. E La Palma Ave. • Anaheim, CA 92806 • Phone: 1.800.961.5321 • Fax: 1.800.961.5322 • www.intenselighting.com

