

IXFX-150

Electronic Transformer

Catalog #:	Type:
Notes:	

Product Specifications

Soft Start Circuitry

Low-voltage transformers utilize a soft start circuitry to maximize lamp life. The soft start circuit ramps up the lamp filament voltage slowly when the lamp is cold. Note: Instant Start on Hot Lamp Re-Strike

Electronic Short-Circuit Protection

Low-voltage transformers employ (ESP) Electronic Short Circuit and over load Protection. The ESP sensing circuit will instantly shut down the output before any of the components are stressed if a short circuit or over load is detected. The transformer will automatically reset as soon as the fault is corrected.

Features:

- High Reliability
- Moisture Resistant
- Emits No Audible Noise
- Low Harmonic Distortion
- High Power Factor
- Lightweight, Compact Design
- Small Case Size
- Works with most commercially available dimmers. Hardwire electronic dimmers are recommended for optimum performance.

Maximum Case Temperature

80°C*

Sound Rating

A+

Operating Humidity

95% relative humidity, non-condensating

Environmental Protection

Epoxy Sealed for moisture resistance and shock/vibration resistance

Safety Listing

Class P Type 1 outdoor

Electrical:

Input: 120VAC or 277VAC - 50/60 Hz

Output: 11.5 VAC or 23.5

Enclosure Material: Metal

Weight: 6.4 oz.

Power Factor: > 0.95

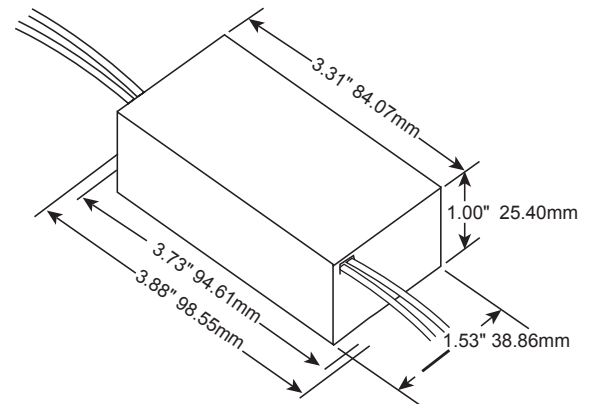
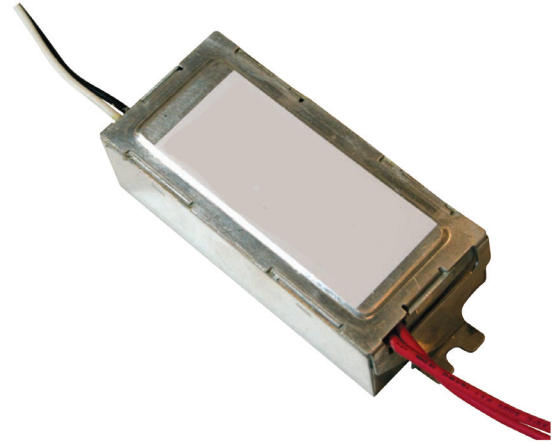
Operating Frequency: 25 KHz

Total Harmonic Distortion: ≤20%

Input Leads: 6", 18AWG stranded, 105° C stripped 3/8" tinned

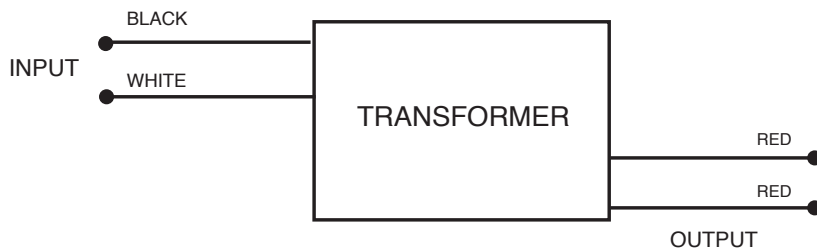
Output Leads: 6", 18AWG stranded, 105° C stripped 3/8" tinned

Dimensions



CATALOG #	MAX WATTS	MIN WATTS	INPUT VOLTS	INPUT AMPS	OUTPUT VOLTS	OUTPUT AMPS
IXFX-150	150	35	120	1.25	11.5	13.05

Wiring Diagram



*Note: Specifications and dimensions subject to change without notice.