

⚠ WARNING

Risk of electrical shock. Disconnect power before servicing or installing luminaire.

⚠ WARNING

Risk of injury or damage. Luminaire will fail if not installed properly. Follow installation instructions.

⚠ WARNING

Risk of injury. Wear safety glasses and gloves during installation and servicing. Allow ample time to cool before handling.

IMPORTANT SAFETY INSTRUCTIONS

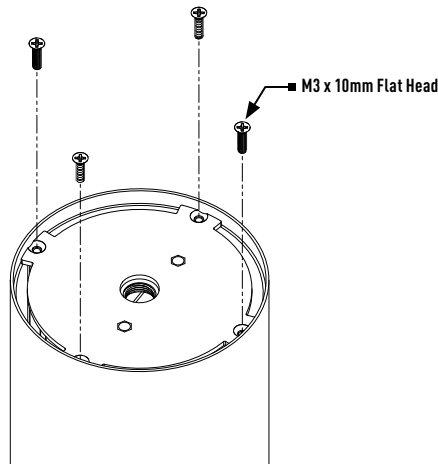
- Read all installation instructions before installing. It is important to save these instructions.
- Only install and connect LED module with power disconnected at the circuit breaker. Hot plugging, or connecting the module with power on, could damage the LEDs and is not covered by warranty.
- Observe and follow all label information and instructions regarding dry, damp and wet location listings, proper Intense LED module, warnings of installation near combustible materials and/or insulation.
- Be sure to connect ground wire to prevent electric shock or other potential hazards.
- The product must be installed in a manner consistent with the intended use and in compliance with the national electrical codes and local codes by a person familiar with the construction and operation of the product and the hazards involved.
- **WARNING:** Use only Intense Lighting trims listed for use with this fixture. Use of trims other than those listed by Intense Lighting is a violation of N.E.C 110-3(B) and voids all warranties.

IMPORTANT NOTICE:

MX Enhanced Color LED module and control module are paired as one unit. The LED and control modules should not be separated from fixture. Doing so will result in performance issues. Consult factory for replacement unit.

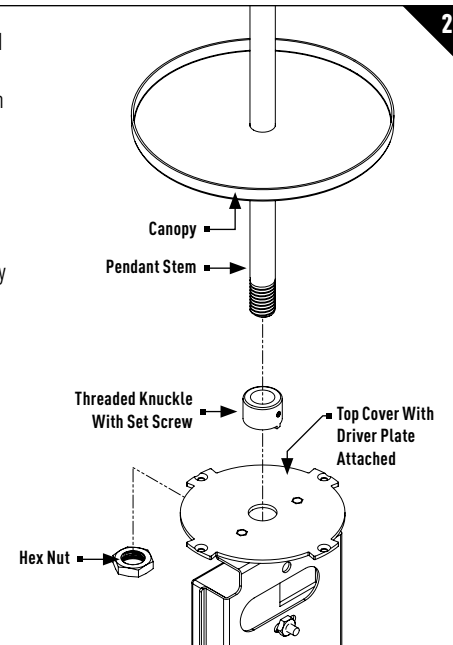
TOP COVER REMOVAL:

1. Remove all four M3 x 10mm flat head fasteners and keep for use on lid replacement.



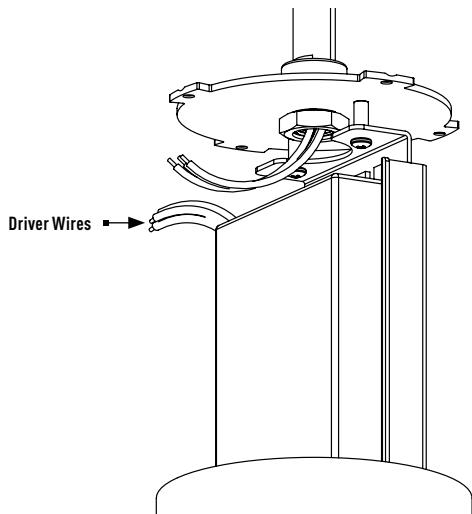
FASTENING PENDANT STEM TO FIXTURE:

1. Slide pendant stem through canopy and screw one hex nut before lid and another after lid. Leave 1/4" of pendant thread after lid. Tighten hex nuts together and ensure stem is securely fastened to lid.



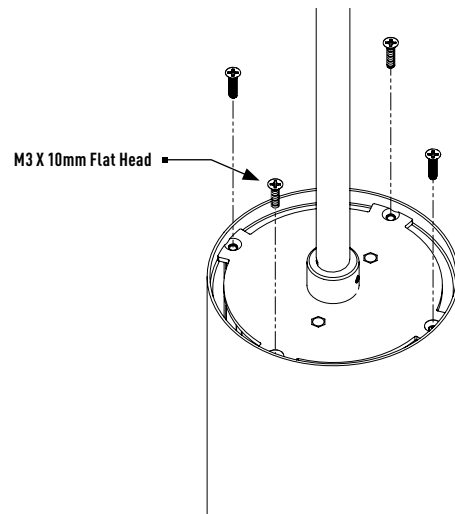
WIRING PENDANT STEM:

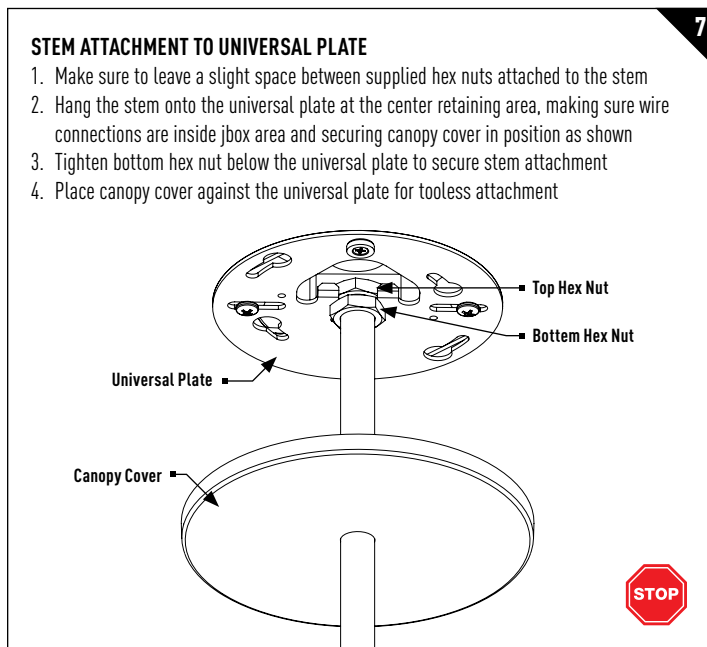
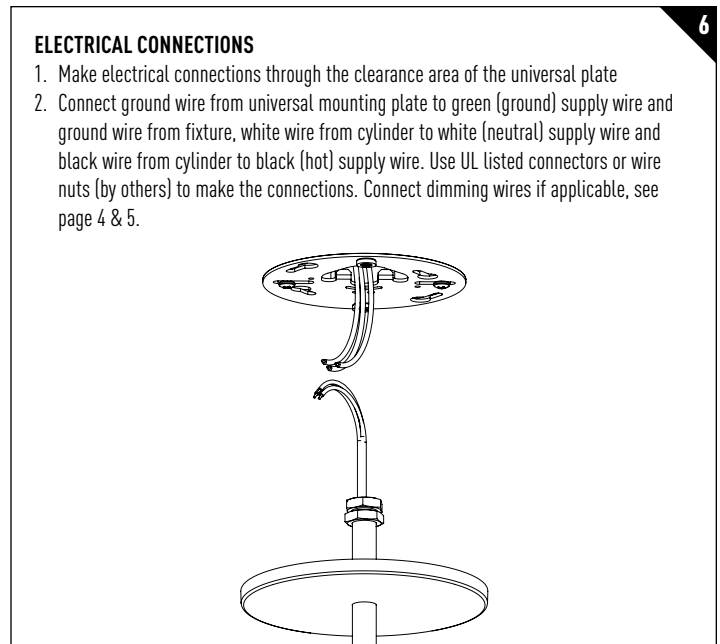
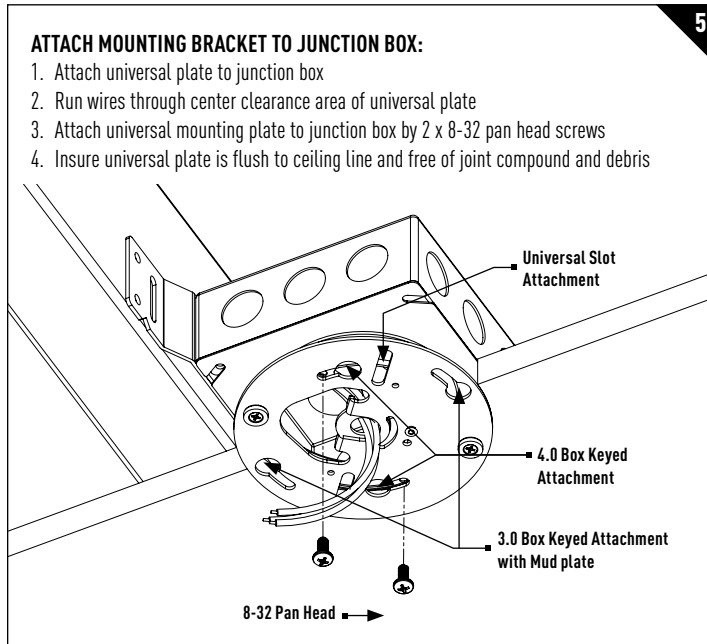
1. Feed wires through pendant stem
2. Make necessary wire connections securely



TOP COVER INSTALL:

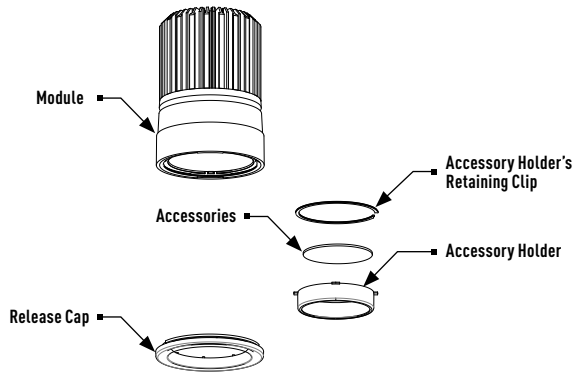
1. Replace top cover with four M3 x 10mm flat head fasteners





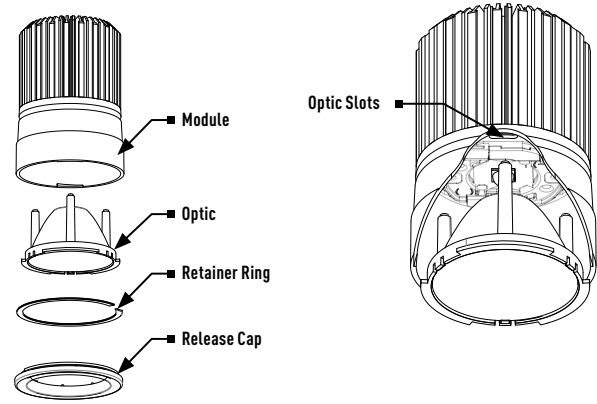
ACCESSORY HOLDER:

1. Rotate release cap by turning counter clockwise.
2. Install accessories into accessory holder and replace accessory holder's retaining clip.
3. Place accessory holder and accessory flush against optic and replace release cap.



OPTIC REPLACEMENT:

1. Remove trim, then remove module from channel and disconnect quick connect.
2. Rotate release cap by turning counter clockwise.
3. Set cap and retainer ring aside and change optics.
4. Align optic pins to slots in module.



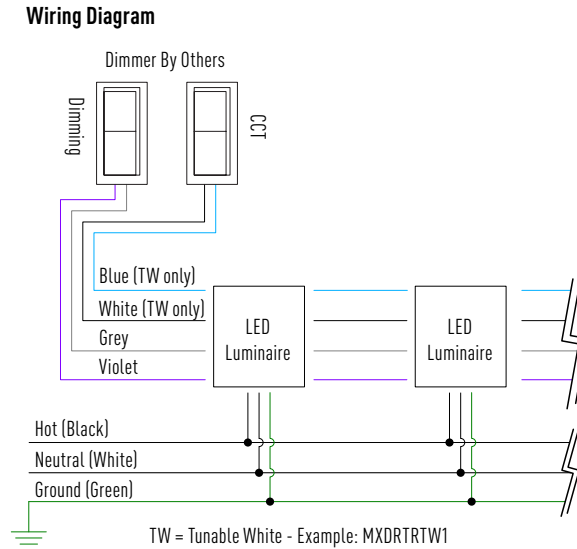
3.5" MX Tunable White / 0-10V Dimming and Tuning Control Functions

Tunable White only

For 0-10V Continuous CCT Control. Connect a 0-10V control device to the blue (+) and white (ground) wires. When the fixture is powered up, the 0-10V control will adjust the CCT over the tunable range.

Tunable White & Dynamic Dimming

A 0-10V control may also be added for dimming (as shown). Adjustments to Dimming levels are a percentage of the 0-10V Dim setting (Trim). If a 0-10V control is not used for dimming, the gray (ground) and violet (+) wires must be grounded together.



Compatible Control Systems

Brand	Model
Leviton	IP710-DLX
Leviton	IP710-LFZ
Leviton	Sapphire
Leviton	Omnitouch
Lutron	Divi, DDTV
Lutron	Nova-T, NTFTV
Lutron	Divi, NFTV
Lutron	Grafik Eye - GRX-TVI with GRX3503
Lutron	Energi Savr Node - QSN-4T16-S
Lutron	TVM2 Module
Lightolier	V2000FAMU
Lightolier	ZP600FAM120
Lightolier	MP1500FAM120
Watt Stopper	DCLV1

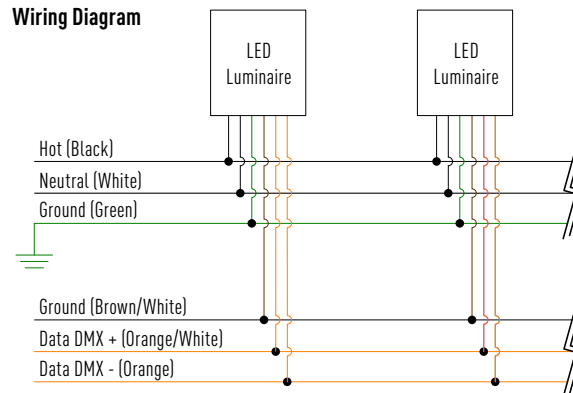
DMX RDM Dimming and Tuning Control Functions

Standard default is Ch 1 dimming and Ch 2 CCT Control for Tunable White.

Standard default is Ch 1 for Dynamic Warm Dimming

DMX Control Options

1. Warm dim mode: In this mode, the luminaire warms as it dims. It uses only one DMX-channel.
2. CCT tuning mode: In this mode, luminaire's CCT tunes along the black body curve. It uses two DMX-channels, one for Brightness control and one for CCT tuning



Compatible Control Systems

Brand	Model
Acuity	Fresco
DMXister	DMXister test suite
NXP	NXP RDM SDK
Pathway Connect	Pathport
Open Lighting Project	RDM test suite

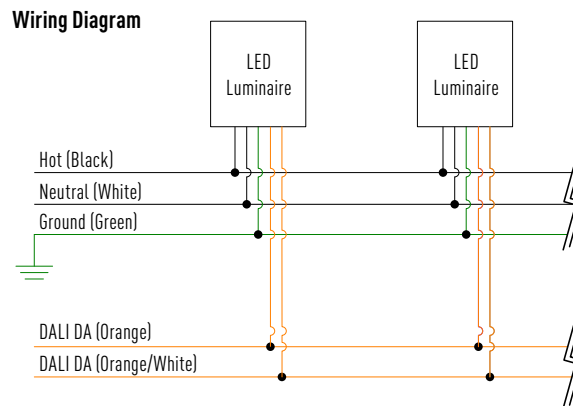
DALI Dimming and Tuning Control Functions

DALI Control Functions

The luminaire can be operating in two different modes:

- Dynamic warm dimming mode, DALI device type 6 (DT6) compatible (Control gear 102)
- CCT tuning mode, DALI device type 8 (DT8) compatible (Control gear: 209 Color control)

By default the unit will start up in warm dimming mode with base address 0, but when it receives a DT8 command (dim warm/cool) it will switch to the CCT tuning mode. It cannot switch automatically back. Only a special DALI command (SetTcPHY_cooltest=0) or resetting the ARD function will set it back to the warm dimming mode. This should not be done dynamically as there are only a limited amount of resets possible (10,000).



Compatible Control Systems

Brand	Model
Leviton	DALI Controller CD250-C
Hadler	DALI uP
Lunatone	DALI Switch 86459793