

MXRG2DSTR

3.5" MX G2 LED Square Lensed Downlight with Remodel Housing - Wet Location

JOB NAME		CATALOG NUMBER	
NOTES		TYPE	

ELECTRICAL DATA

LED Light Engine	System Wattage *	CCT / CRI	Delivered Lumens **	Lumens Per Watt
L0	10W	3000K / 82 CRI	700lm	70
L1	16W	3000K / 82 CRI	1000lm	63
L2	20W	3000K / 82 CRI	1150lm	58
L3	26W	3000K / 82 CRI	1700lm	65

*System Wattage include driver and LED Module consumption. **Delivered lumens will vary depending on trim, CCT, CRI, optic and ceiling thickness

FEATURES

- Multiple architectural trim options
- High center beam spot up to 20,800 CBCP
- Dedicated 9° with field changeable 12°, 24°, 36° & 50° optics

LED LIGHT ENGINE

- 92 CRI & 82 CRI in 2700K, 3000K, 3500K or 4100K with 2SDCM binning
- >50,000 hours L70 (rated life at 70% output)

ELECTRICAL SYSTEM

- Dedicated voltage options of 120V or 277V. Must be specified in catalog code
- Power factor >.95/60Hz This product complies with IEEE C62.41 for surge endurance up to 2.5KV. Additional surge protection recommended. Damage from power surge is not covered by warranty.

DIMMING

- 0-10V Dimming 1%
- Forward/reverse dimming 1% (120V only)
- EldoLED 0-10V 0.1% or 1%
- Lutron® LDE1 Hi-Lume 1% EcoSystem LED driver with Soft-on, Fade-to-Black dimming technology
- DMX512 RDM 0.1%

HOUSING

High quality die-casted collar with high strength stainless steel swing out lugs. Driver swivels 90° to accommodate tight spaces.

TRIM SPECIFICATION

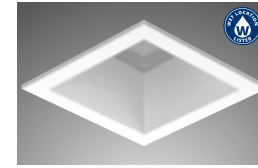
High quality die-cast A380 aluminum trims with durable powder coat finishes. Architectural, discrete self flange or painted white flange options available. Trim is available with solite, clear tempered or frosted lens, must specify. Trims available in 1-1/2" regress for greater visual comfort or 1/2" regress for consistent look throughout space.

INSTALLATION

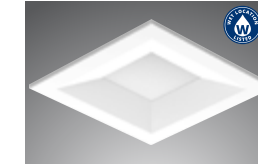
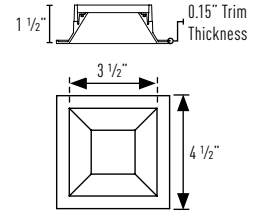
Frame-in installs from below the ceiling. Swing out lugs allow for installation in ceilings between 5/16" and 3/4". Max. ambient temperature: 95°F (35°C). Housing is Non-IC rated, must be kept at a minimum of 3" away from insulation.

LISTING / WARRANTY

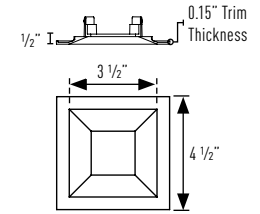
- 5-Year Intense LED Limited Warranty
- ETL listed to US and Canadian standards for wet locations
- ENERGY STAR® Qualified ¹
- Can be used to comply with 2016 Title 24, Part 6, JA8 high efficacy LED light source requirements ²



MXTG2-STRD302
(1-1/2" regress with Lens)



MXTG2-STRR302
(1/2" Regress with Lens)



Housing Dimensions Are On Page 2

Available Trim Finishes



Housing Part Number (Example: MXRG2DSTR-NCL1)

Housing	Installation Type	Wattage	Dimming	Voltage
MXRG2DSTR	-NC (Non-IC)	L0 (10W)	blank (Non-Dimming)	blank (120V)
		L1 (16W)	DELV ³ (Phase Dimming)	27 (277V)
		L2 (20W)	D101 (0-10V Dimming 1%)	
		L3 (26W)	ED10V1 ⁴ (eldoLED 0-10V 1%)	
			ED10V01 ⁴ (eldoLED 0-10V 0.1%)	
			LUT ⁵ (Lutron® LDE1 EcoSystem 1%)	
		DMXR ⁶ (DMX512 RDM 0.1%)		

Trim Part Number (Example: MXTG2-STRD302W-SFL13024-SL)

Trim	Finish	Wattage	CCT / CRI	Optic	Lens	Notes:
MXTG2-STRD302 (1-1/2" regress)	W-SF (White / Self Flanged)	L0 (10W)	27 (2700K / 82 CRI)	09 ⁸ (9° Narrow Spot)	-SL (Solite)	<ol style="list-style-type: none"> ENERGY STAR® Qualified (White reflectors only; Excludes: L2, L3, 92 CRI & 9° options) L0 only; Excludes: 82 CRI & 9° options Available in 120V only Not Available in L3 Not Available in L2 & L3 DMX512 RDM not available in L0 & L1 Consult factory for lead times 9° NS available in 279 with L0 or L1 Only
	B-SF (Black / Self Flanged)	L1 (16W)	279 (2700K / 92 CRI)	12 (12° Spot)	-CR (Clear Tempered)	
MXTG2-STRR302 (1/2" Regress)	SN-SF (Satin Nickel / Self Flanged)	L2 (20W)	30 (3000K / 82 CRI)	24 (24° Narrow Flood)	-FR (Frosted)	
	SN-SFW ⁷ (Satin Nickel / Self Flanged White)	L3 (26W)	309 (3000K / 92 CRI)	36 (36° Flood)		
	AB-SF (Antique Bronze / Self Flanged)		35 (3500K / 82 CRI)	36 (36° Flood)		
	AB-SFW ⁷ (Antique Bronze / Self Flanged White)		359 (3500K / 92 CRI)	50 (50° Wide Flood)		
			41 (4100K / 82 CRI)			
			419 (4100K / 92 CRI)			

MX DOWNLIGHTING REMODEL L/M-1005;23 P-21

INTENSE LIGHTING | 3340 E La Palma Ave, Anaheim, CA 92806 | tel 714 630-9877 | fax 714 630-9883

For Intense Lighting's limited product warranty, go to www.intenselighting.com. For a printed copy of the warranty, you may call 800 961-5321.

© 2023 Intense Lighting, LLC. All rights reserved. Note: This document is subject to change without notice.

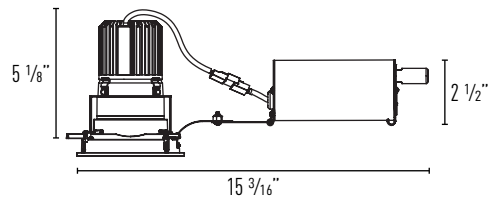


MXRG2DSTR

3.5" MX G2 LED Square Lensed Downlight with Remodel Housing - Wet Location

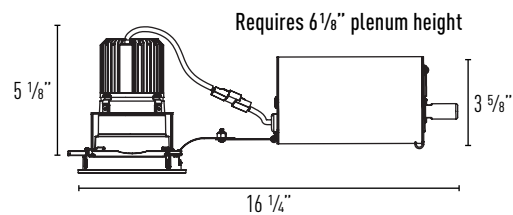
JOB NAME	CATALOG NUMBER
NOTES	TYPE

DRIVER: Non-Dimming / DELV / D10



Ceiling Cut Out: 4 1/16" x 4 1/16"
Minimum Ceiling Thickness: 5/16"
Maximum Ceiling Thickness: 3/4"

DRIVER: eldoLED / Lutron / DMX



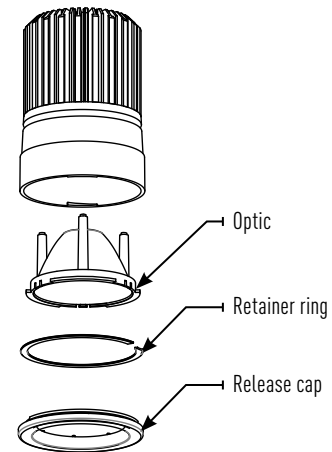
Ceiling Cut Out: 4 1/16" x 4 1/16"
Minimum Ceiling Thickness: 5/16"
Maximum Ceiling Thickness: 3/4"

OPTICS REPLACEMENT

1. Rotate release cap by turning counter clockwise.
2. Install accessories into accessory holder and replace accessory holder's retaining clip.
3. Place accessory holder and accessory flush against optic and replace release cap.

Optics

- IP-OP4712 (12° Spot)
- IP-OP4724 (24° Narrow Flood)
- IP-OP4736 (36° Flood)
- IP-OP4750 (50° Wide Flood)



JOB NAME		CATALOG NUMBER	
NOTES		TYPE	

MXTG2-STRD302WLO-CR

Report #: ILL-02102016-10.3 (12)
 ILL-02102016-09.3 (24)
 ILL-02182016-03.3 (36)
 ILL-02122016-05.3 (50)

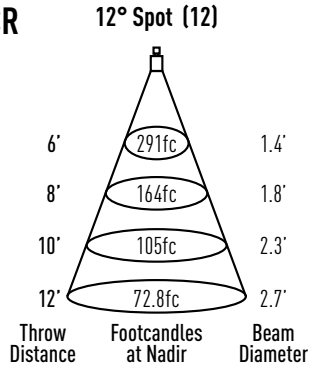
TRIM MULTIPLIER:
 MXTG2-STRD302 (x 0.93)

CCT MULTIPLIERS:

	82 CRI	92 CRI
2700K	(x 0.93)	(x 0.76)
3000K	(x 1.00)	(x 0.87)
3500K	(x 1.00)	(x 0.87)
4100K	(x 1.00)	(x 0.87)

LENS MULTIPLIERS:

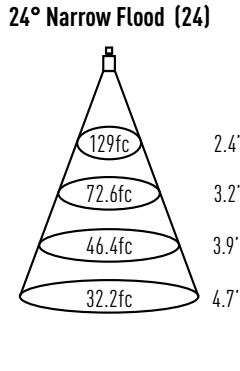
Solite	(x 0.92)
Clear	(x 1.00)
Frosted	(x 0.92)



Watts: 10
 Lumens: 613
 LPW: 61
 CCT: 3000K

Candelas at Nadir

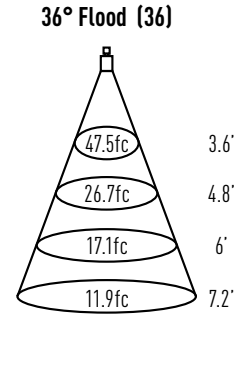
Degree	CBCP
0°	10487
5°	5786
15°	386
25°	85
35°	31
45°	5



Watts: 10
 Lumens: 707
 LPW: 71
 CCT: 3000K

Candelas at Nadir

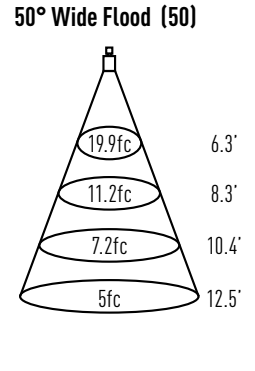
Degree	CBCP
0°	4643
5°	3846
15°	1041
25°	131
35°	18
45°	3



Watts: 10
 Lumens: 714
 LPW: 71
 CCT: 3000K

Candelas at Nadir

Degree	CBCP
0°	1712
5°	1740
15°	1212
25°	435
35°	79
45°	7



Watts: 10
 Lumens: 644
 LPW: 64
 CCT: 3000K

Candelas at Nadir

Degree	CBCP
0°	718
5°	716
15°	669
25°	427
35°	178
45°	50

MXTG2-STRD302WL1-CR

Report #: ILL-02102016-10.2 (12)
 ILL-02102016-09.2 (24)
 ILL-02182016-03.2 (36)
 ILL-02122016-05.2 (50)

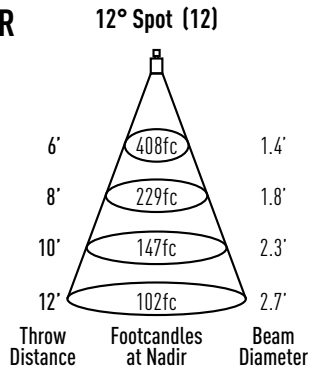
TRIM MULTIPLIER:
 MXTG2-STRD302 (x 0.93)

CCT MULTIPLIERS:

	82 CRI	92 CRI
2700K	(x 0.93)	(x 0.76)
3000K	(x 1.00)	(x 0.87)
3500K	(x 1.00)	(x 0.87)
4100K	(x 1.00)	(x 0.87)

LENS MULTIPLIERS:

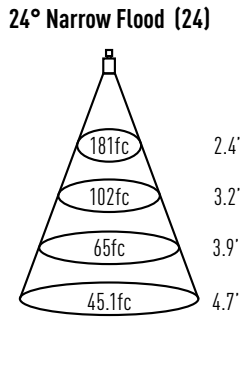
Solite	(x 0.92)
Clear	(x 1.00)
Frosted	(x 0.92)



Watts: 15.5
 Lumens: 858
 LPW: 55
 CCT: 3000K

Candelas at Nadir

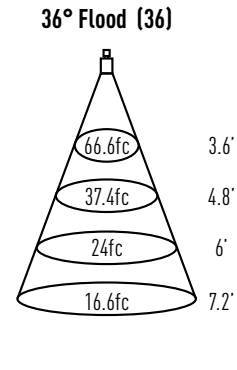
Degree	CBCP
0°	14682
5°	8100
15°	540
25°	119
35°	44
45°	7



Watts: 15.4
 Lumens: 989
 LPW: 64
 CCT: 3000K

Candelas at Nadir

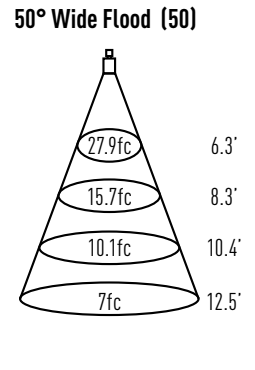
Degree	CBCP
0°	6501
5°	5384
15°	1457
25°	183
35°	25
45°	4



Watts: 15.6
 Lumens: 1000
 LPW: 64
 CCT: 3000K

Candelas at Nadir

Degree	CBCP
0°	2396
5°	2436
15°	1697
25°	609
35°	110
45°	9



Watts: 15.5
 Lumens: 901
 LPW: 58
 CCT: 3000K

Candelas at Nadir

Degree	CBCP
0°	1005
5°	1002
15°	936
25°	598
35°	249
45°	70

JOB NAME		CATALOG NUMBER	
NOTES		TYPE	

MXTG2-STRD302WL2-CR

Report #: ILL-02102016-10.1 (12)
 ILL-02102016-09.1 (24)
 ILL-02182016-03.1 (36)
 ILL-02122016-05.1 (50)

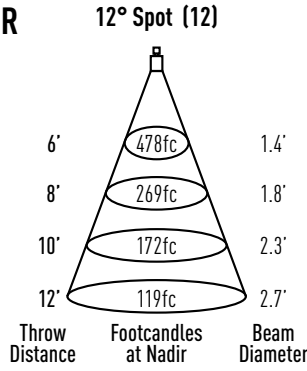
TRIM MULTIPLIER:
 MXTG2-STRR302 (x 0.93)

CCT MULTIPLIERS:

	82 CRI	92 CRI
2700K	(x 0.93)	(x 0.76)
3000K	(x 1.00)	(x 0.87)
3500K	(x 1.00)	(x 0.87)
4100K	(x 1.00)	(x 0.87)

LENS MULTIPLIERS:

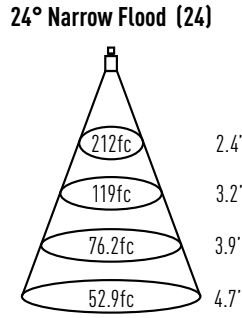
Solite	(x 0.92)
Clear	(x 1.00)
Frosted	(x 0.92)



Watts: 20.5
 Lumens: 1005
 LPW: 49
 CCT: 3000K

Candelas at Nadir

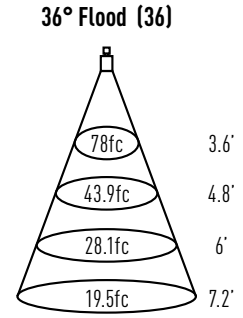
Degree	CBCP
0°	17199
5°	9489
15°	632
25°	140
35°	51
45°	8



Watts: 20.5
 Lumens: 1159
 LPW: 57
 CCT: 3000K

Candelas at Nadir

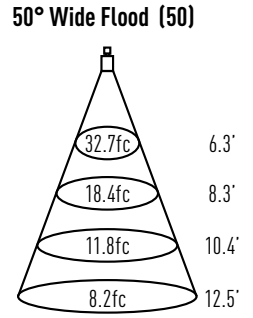
Degree	CBCP
0°	7615
5°	6307
15°	1706
25°	214
35°	30
45°	5



Watts: 20.4
 Lumens: 1172
 LPW: 57
 CCT: 3000K

Candelas at Nadir

Degree	CBCP
0°	2807
5°	2854
15°	1988
25°	714
35°	129
45°	11



Watts: 20.4
 Lumens: 1056
 LPW: 52
 CCT: 3000K

Candelas at Nadir

Degree	CBCP
0°	1178
5°	1174
15°	1097
25°	701
35°	292
45°	82

MXTG2-STRD302WL3-CR

Report #: ILL-02102016-10 (12)
 ILL-02102016-09 (24)
 ILL-02182016-03 (36)
 ILL-02122016-05 (50)

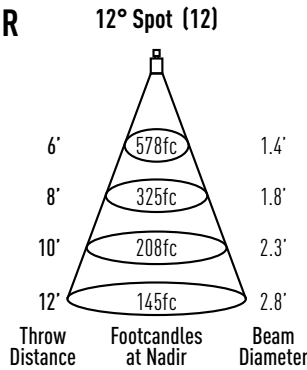
TRIM MULTIPLIER:
 MXTG2-STRR302 (x 0.93)

CCT MULTIPLIERS:

	82 CRI	92 CRI
2700K	(x 0.93)	(x 0.76)
3000K	(x 1.00)	(x 0.87)
3500K	(x 1.00)	(x 0.87)
4100K	(x 1.00)	(x 0.87)

LENS MULTIPLIERS:

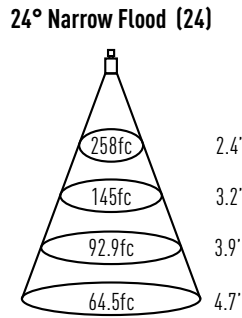
Solite	(x 0.92)
Clear	(x 1.00)
Frosted	(x 0.92)



Watts: 26.2
 Lumens: 1226
 LPW: 47
 CCT: 3000K

Candelas at Nadir

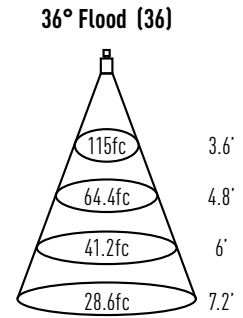
Degree	CBCP
0°	20818
5°	11572
15°	771
25°	170
35°	62
45°	9



Watts: 26.3
 Lumens: 1413
 LPW: 54
 CCT: 3000K

Candelas at Nadir

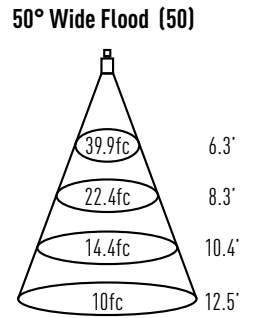
Degree	CBCP
0°	9287
5°	7692
15°	2081
25°	261
35°	36
45°	6



Watts: 26.1
 Lumens: 1722
 LPW: 66
 CCT: 3000K

Candelas at Nadir

Degree	CBCP
0°	4124
5°	4193
15°	2921
25°	1049
35°	189
45°	16



Watts: 26.1
 Lumens: 1288
 LPW: 49
 CCT: 3000K

Candelas at Nadir

Degree	CBCP
0°	1436
5°	1432
15°	1337
25°	855
35°	356
45°	99