

MXRG2DSTR

3.5" MX G2 LED Square Lensed Pinhole with Remodel Housing - Wet Location

JOB NAME		CATALOG NUMBER	
NOTES		TYPE	

ELECTRICAL DATA

LED Light Engine	System Wattage *	CCT / CRI	Delivered Lumens **	Lumens Per Watt
L0	10W	3000K / 82 CRI	650lm	65
L1	16W	3000K / 82 CRI	900lm	56
L2	20W	3000K / 82 CRI	1000lm	50
L3	26W	3000K / 82 CRI	1300lm	50

*System Wattage include driver and LED Module consumption. **Delivered lumens will vary depending on trim, CCT, CRI, optic and ceiling thickness

FEATURES

- Multiple architectural trim options
- High center beam spot up to 20,000 CBCP
- Dedicated 9° with field changeable 12°, 24°, 36° & 50° optics

LED LIGHT ENGINE

- 92 CRI & 82 CRI in 2700K, 3000K, 3500K or 4100K with 2SDCM binning
- >50,000 hours L70 (rated life at 70% output)

ELECTRICAL SYSTEM

- Dedicated voltage options of 120V or 277V. Must be specified in catalog code
- Power factor >.95/60Hz This product complies with IEEE C62.41 for surge endurance up to 2.5KV. Additional surge protection recommended. Damage from power surge is not covered by warranty.

DIMMING

- 0-10V Dimming 1%
- Forward/reverse dimming 1% (120V only)
- EldoLED 0-10V 0.1% or 1%
- Lutron® LDE1 Hi-Lume 1% EcoSystem LED driver with Soft-on, Fade-to-Black dimming technology
- DMX512 RDM 0.1%

HOUSING

High quality die-casted collar with high strength stainless steel swing out lugs. Driver swivels 90° to accommodate tight spaces.

TRIM SPECIFICATION

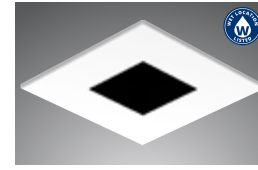
High quality trims are die-cast using A380 aluminum and finished with durable powder coat available in multiple finishes, black interior standard. Trim is available with solite, clear tempered or frosted lens, must specify. Trims available in 1-1/2" regress for greater visual comfort or 1/2" regress for consistent look throughout space.

INSTALLATION

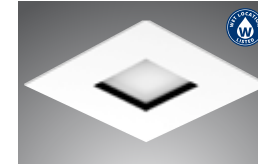
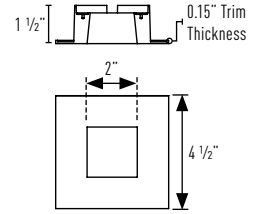
Frame-in installs from below the ceiling. Swing out lugs allow for installation in ceilings between 5/16" and 3/4". Max. ambient temperature: 95°F (35°C). Housing is Non-IC rated, must be kept at a minimum of 3" away from insulation.

LISTING / WARRANTY

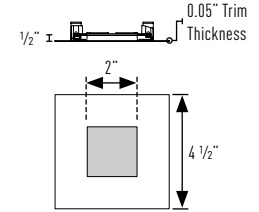
- 5-Year Intense LED Limited Warranty
- ETL listed to US and Canadian standards for wet locations



MXTG2-STRD308
(1-1/2" regress with Lens)



MXTG2-SFRR308
(1/2" Flat Mount with Lens)



Housing Dimensions Are On Page 2

Available Trim Finishes



Housing Part Number (Example: MXRG2DSTR-NCL1)

Housing	Installation Type	Wattage	Dimming	Voltage
MXRG2DSTR	-NC (Non-IC)	L0 (10W)	blank (Non-Dimming)	blank (120V)
		L1 (16W)	DELV ¹ (Phase Dimming)	27 (277V)
		L2 (20W)	D101 (0-10V Dimming 1%)	
		L3 (26W)	ED10V1 ² (eldoLED 0-10V 1%)	
			ED10V01 ² (eldoLED 0-10V 0.1%)	
			LUT ³ (Lutron® LDE1 EcoSystem 1%)	
		DMXR ⁴ (DMX512 RDM 0.1%)		

Trim Part Number (Example: MXTG2-STRD308WL13024-SL)

Trim	Finish	Wattage	CCT / CRI	Optic	Lens
MXTG2-STRD308 (1-1/2" regress)	W (White)	L0 (10W)	27 (2700K / 82 CRI)	09° (9° Narrow Spot)	-SL (Solite)
	B (Black)	L1 (16W)	279 (2700K / 92 CRI)	12 (12° Spot)	-CR (Clear Tempered)
MXTG2-SFRR308 (1/2" Flat Mount)	AB (Antique Bronze)	L2 (20W)	30 (3000K / 82 CRI)	24 (24° Narrow Flood)	-FR (Frosted)
		L3 (26W)	309 (3000K / 92 CRI)	36 (36° Flood)	
			35 (3500K / 82 CRI)	50 (50° Wide Flood)	
			359 (3500K / 92 CRI)		
			41 (4100K / 82 CRI)		
			419 (4100K / 92 CRI)		

- Notes:**
- Available in 120V only
 - Not Available in L3
 - Not Available in L2 & L3
 - DMX512 RDM not available in L0 & L1
 - 9° NS available in 279 with L0 or L1 Only

MX DOWNLIGHTING REMODEL L/M-1005.23 P-29

INTENSE LIGHTING | 3340 E La Palma Ave, Anaheim, CA 92806 | tel 714 630-9877 | fax 714 630-9883

For Intense Lighting's limited product warranty, go to www.intenselighting.com. For a printed copy of the warranty, you may call 800 961-5321.

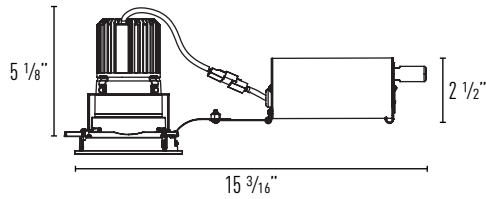
© 2023 Intense Lighting, LLC. All rights reserved. Note: This document is subject to change without notice.

MXRG2DSTR

3.5" MX G2 LED Square Lensed Pinhole with Remodel Housing - Wet Location

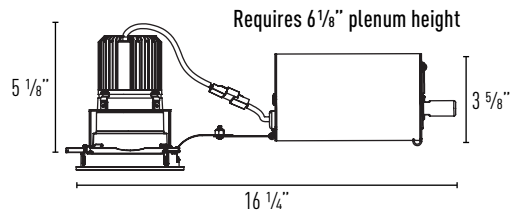
JOB NAME	CATALOG NUMBER
NOTES	TYPE

DRIVER: Non-Dimming / DELV / D10



Ceiling Cut Out: 4 1/16" x 4 1/16"
Minimum Ceiling Thickness: 5/16"
Maximum Ceiling Thickness: 3/4"

DRIVER: eldoLED / Lutron / DMX



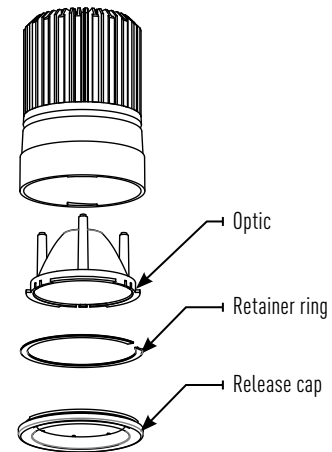
Ceiling Cut Out: 4 1/16" x 4 1/16"
Minimum Ceiling Thickness: 5/16"
Maximum Ceiling Thickness: 3/4"

OPTICS REPLACEMENT

1. Rotate release cap by turning counter clockwise.
2. Install accessories into accessory holder and replace accessory holder's retaining clip.
3. Place accessory holder and accessory flush against optic and replace release cap.

Optics

- IP-OP4712 (12° Spot)
- IP-OP4724 (24° Narrow Flood)
- IP-OP4736 (36° Flood)
- IP-OP4750 (50° Wide Flood)



JOB NAME		CATALOG NUMBER	
NOTES		TYPE	

MXTG2-STRD308L0-CR

Report #: ILL-02122016-11.3 (12)
 ILL-02122016-10.3a (24)
 ILL-02162016-02.3 (36)
 ILL-02122016-06.3 (50)

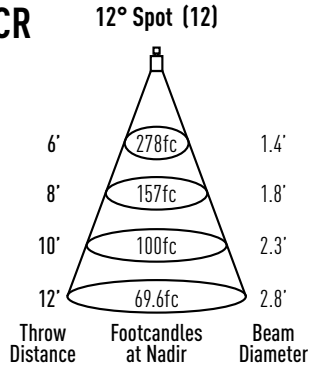
TRIM MULTIPLIER:
 MXTG2-SFRR308 (x 1.00)

CCT MULTIPLIERS:

	82 CRI	92 CRI
2700K	(x 0.93)	(x 0.76)
3000K	(x 1.00)	(x 0.87)
3500K	(x 1.00)	(x 0.87)
4100K	(x 1.00)	(x 0.87)

LENS MULTIPLIERS:

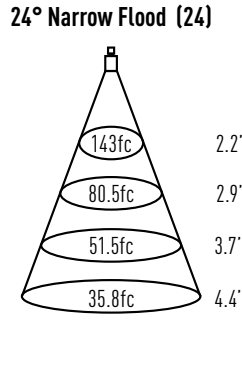
Solite	(x 0.92)
Clear	(x 1.00)
Frosted	(x 0.92)



Watts: 10
 Lumens: 535
 LPW: 54
 CCT: 3000K

Candelas at Nadir

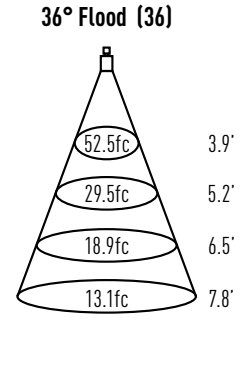
Degree	CBCP
0°	10024
5°	5826
15°	431
25°	40
35°	9
45°	1



Watts: 10
 Lumens: 658
 LPW: 66
 CCT: 3000K

Candelas at Nadir

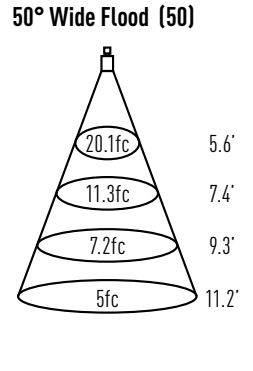
Degree	CBCP
0°	5152
5°	4442
15°	921
25°	44
35°	4
45°	1



Watts: 10
 Lumens: 633
 LPW: 63
 CCT: 3000K

Candelas at Nadir

Degree	CBCP
0°	1890
5°	1858
15°	1227
25°	350
35°	50
45°	1



Watts: 10
 Lumens: 531
 LPW: 53
 CCT: 3000K

Candelas at Nadir

Degree	CBCP
0°	722
5°	722
15°	666
25°	352
35°	94
45°	3

MXTG2-STRD308L1-CR

Report #: ILL-02122016-11.2 (12)
 ILL-02122016-10.2 (24)
 ILL-02162016-02.2 (36)
 ILL-02122016-06.2 (50)

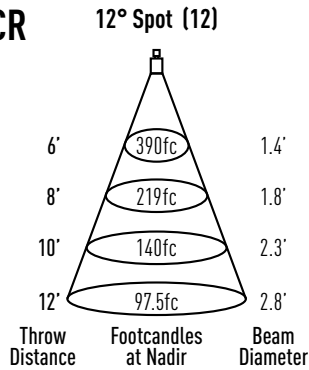
TRIM MULTIPLIER:
 MXTG2-SFRR308 (x 1.00)

CCT MULTIPLIERS:

	82 CRI	92 CRI
2700K	(x 0.93)	(x 0.76)
3000K	(x 1.00)	(x 0.87)
3500K	(x 1.00)	(x 0.87)
4100K	(x 1.00)	(x 0.87)

LENS MULTIPLIERS:

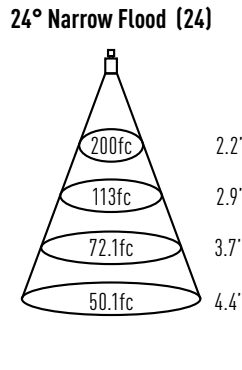
Solite	(x 0.92)
Clear	(x 1.00)
Frosted	(x 0.92)



Watts: 15.4
 Lumens: 749
 LPW: 49
 CCT: 3000K

Candelas at Nadir

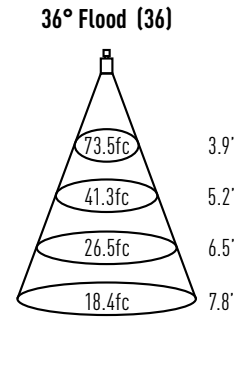
Degree	CBCP
0°	14033
5°	8156
15°	603
25°	55
35°	12
45°	2



Watts: 15.4
 Lumens: 921
 LPW: 60
 CCT: 3000K

Candelas at Nadir

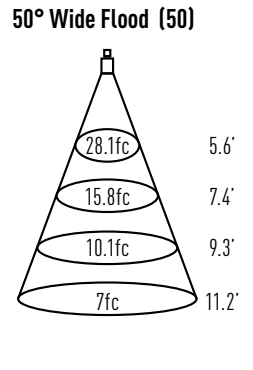
Degree	CBCP
0°	7213
5°	6219
15°	1290
25°	62
35°	6
45°	1



Watts: 15.4
 Lumens: 887
 LPW: 58
 CCT: 3000K

Candelas at Nadir

Degree	CBCP
0°	2646
5°	2602
15°	1717
25°	489
35°	70
45°	1



Watts: 15.4
 Lumens: 743
 LPW: 48
 CCT: 3000K

Candelas at Nadir

Degree	CBCP
0°	1011
5°	1011
15°	932
25°	493
35°	132
45°	5

JOB NAME		CATALOG NUMBER	
NOTES		TYPE	

MXTG2-STRD308L2-CR

Report #: ILL-02122016-11.1 (12)
 ILL-02122016-10.1 (24)
 ILL-02162016-02.1 (36)
 ILL-02122016-06.1 (50)

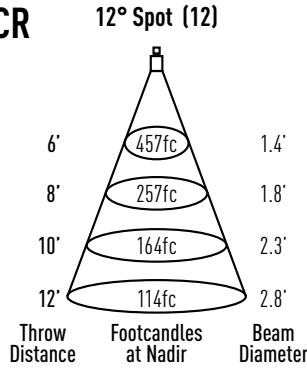
TRIM MULTIPLIER:
 MXTG2-SFRR308 (x 1.00)

CCT MULTIPLIERS:

	82 CRI	92 CRI
2700K	(x 0.93)	(x 0.76)
3000K	(x 1.00)	(x 0.87)
3500K	(x 1.00)	(x 0.87)
4100K	(x 1.00)	(x 0.87)

LENS MULTIPLIERS:

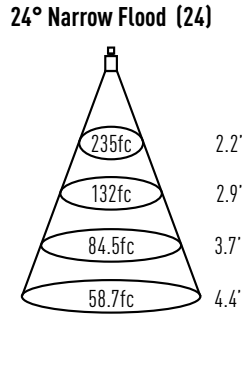
Solite	(x 0.92)
Clear	(x 1.00)
Frosted	(x 0.92)



Watts: 20.5
 Lumens: 878
 LPW: 43
 CCT: 3000K

Candelas at Nadir

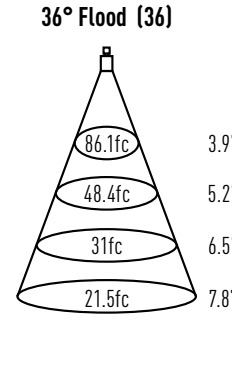
Degree	CBCP
0°	16439
5°	9555
15°	706
25°	65
35°	14
45°	2



Watts: 20.4
 Lumens: 1079
 LPW: 53
 CCT: 3000K

Candelas at Nadir

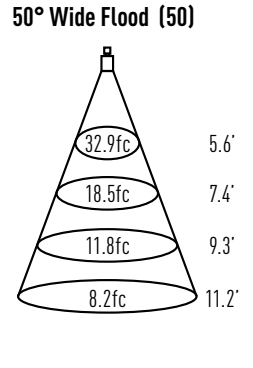
Degree	CBCP
0°	8450
5°	7285
15°	1511
25°	72
35°	7
45°	1



Watts: 20.5
 Lumens: 1039
 LPW: 51
 CCT: 3000K

Candelas at Nadir

Degree	CBCP
0°	3100
5°	3048
15°	2012
25°	573
35°	83
45°	1



Watts: 20.5
 Lumens: 870
 LPW: 42
 CCT: 3000K

Candelas at Nadir

Degree	CBCP
0°	1184
5°	1184
15°	1092
25°	577
35°	154
45°	5

MXTG2-STRD308L3-CR

Report #: ILL-02122016-11 (12)
 ILL-02122016-10 (24)
 ILL-02162016-02 (36)
 ILL-02122016-06 (50)

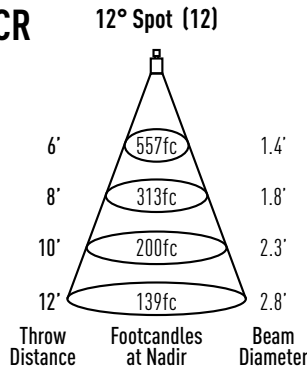
TRIM MULTIPLIER:
 MXTG2-SFRR308 (x 1.00)

CCT MULTIPLIERS:

	82 CRI	92 CRI
2700K	(x 0.93)	(x 0.76)
3000K	(x 1.00)	(x 0.87)
3500K	(x 1.00)	(x 0.87)
4100K	(x 1.00)	(x 0.87)

LENS MULTIPLIERS:

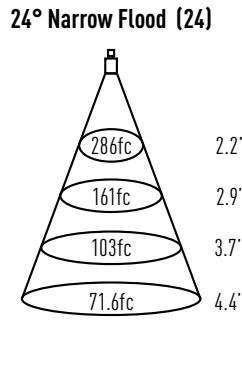
Solite	(x 0.92)
Clear	(x 1.00)
Frosted	(x 0.92)



Watts: 26.1
 Lumens: 1070
 LPW: 41
 CCT: 3000K

Candelas at Nadir

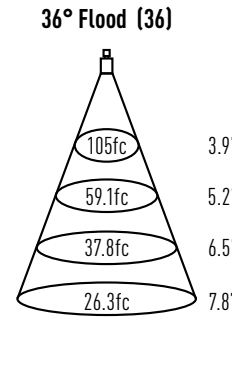
Degree	CBCP
0°	20047
5°	11652
15°	861
25°	79
35°	17
45°	3



Watts: 26.1
 Lumens: 1316
 LPW: 50
 CCT: 3000K

Candelas at Nadir

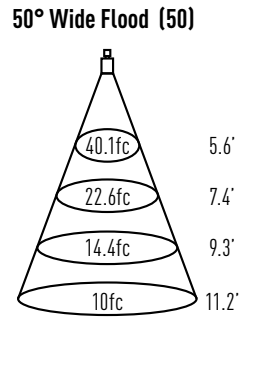
Degree	CBCP
0°	10305
5°	8885
15°	1843
25°	88
35°	8
45°	1



Watts: 26
 Lumens: 1267
 LPW: 49
 CCT: 3000K

Candelas at Nadir

Degree	CBCP
0°	3780
5°	3717
15°	2453
25°	699
35°	101
45°	2



Watts: 26.1
 Lumens: 1062
 LPW: 41
 CCT: 3000K

Candelas at Nadir

Degree	CBCP
0°	1444
5°	1444
15°	1332
25°	704
35°	188
45°	7