

SS4G4WS / ICS437

4" SS Square LED Wall Wash Gen 4

JOB NAME		CATALOG NUMBER	
NOTES		TYPE	

ELECTRICAL DATA

LED Light Engine	System Wattage *		CCT	Nominal Delivered Lumens **
	120-277V	347V		
L1	9W	9.7W	3500K	500lm
L2	13W	14.5W	3500K	700lm
L3	17W	19.5W	3500K	950lm
L4	21W	24W	3500K	1200lm
L5	26W	29W	3500K	1450lm
L6	37W	37W	3500K	1900lm
L7	47W	N/A	3500K	2350lm

* System Wattage includes driver and LED Module consumption. | ** Delivered lumen output will vary depending on CCT selection.

LED MODULE

- Powered by OSRAM high performance LED engine
- 50,000 hours at 70% lumen maintenance
- 80 CRI at 2700K, 3000K, 3500K, 4000K

ELECTRICAL SYSTEM

- Universal voltage 120-277V when specified with Osram 0-10V 1% or Intellect options only
- elddoLED, Lutron and DMX Dimming must specify voltage
- Phase dimming available in 120V only
- 347V available with Osram 0-10V 1% Dimming only
- vPower factor >.9, 50/60Hz

EMERGENCY BACKUP

External battery operates LED load of up to 7W at a minimum of 500 lumens for 90 minutes (EM7), or 20W at a minimum of 1450 lumens for 90 minutes (EM20).

OPTICAL SYSTEM

- Soft diffuse spread lens provides uniform light levels and distribution at up to 4 feet on center
- Reflector available in clear specular, haze or white
- Architectural, discrete polished self flange standard,
- Optional painted white flange is available

DIMMING

- 0-10V Dimming 1%
- Forward/reverse phase dimming 1% (120V only)
- elddoLED 0-10V 0.1% or 1%
- Lutron® LDE1 Hi-Lume 1% EcoSystem LED driver with Soft-on, Fade-to-Black dimming technology
- Lutron® LDE5 5-Series EcoSystem LED driver
- DMX512 RDM 0.1%

Intellect™

- Listed on the DesignLights Consortium (DLC) Qualified Product List (QPL) for Networked Lighting Control systems
- Integrated control system provides occupancy and light level detection, and controls the load directly by the power control module Integrated intelligent fixture controls
- Only hot and neutral power required at all devices, no need for control wires
- 12" ceiling height maximum
- 24" cable provided for connection between sensor and power control module
- Keypad Room Controller must be specified separately
- Visit Leviton [Intellect™](#) for more info

FRAME CONSTRUCTION

Heavy duty galvanized steel frame with a large access junction box. ETL listed for through wiring. LED light engine and driver are accessible from above or below ceiling.

INSTALLATION

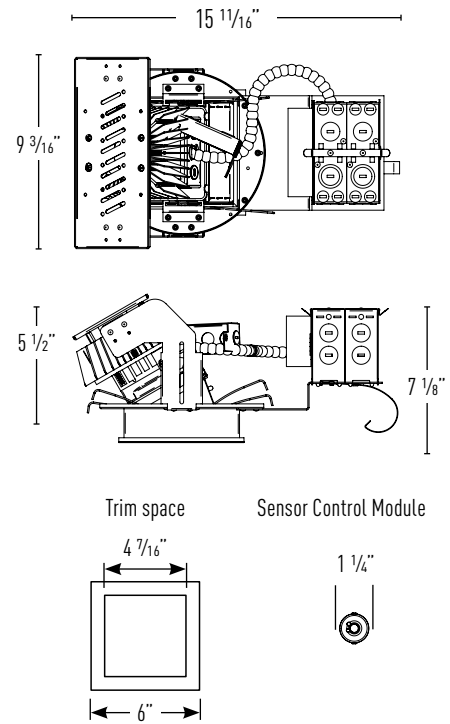
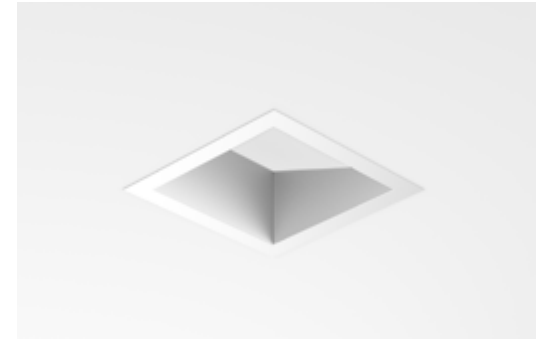
The luminaire is type Non-IC. Insulation must be kept at a minimum of 3" away from fixture. Universal mounting brackets included. Compatible with C-channel, flat bar, wood joist bar hanger and EMT. Bar hangers must be ordered separately. C-channel is recommended for T-bar ceilings. Maximum ceiling thickness is 1 1/4".

END-OF-LIFE INDICATOR

Optional end-of-life indicator helps the end user to receive a signal from the fixture indicating that it has reached its programmed life-time. After the LED driver reaches the programmed life-time, whenever it is turned ON, it stays at 'Dim' level (10%) for 10 minutes and then reaches its appropriate level.

LISTING/WARRANTY

- ETL listed to US and Canadian standards for damp locations.
- 5-Year Intense LED Limited Warranty



Ceiling cut out: 5 5/8" x 5 5/8"
Maximum ceiling thickness: 1 1/4"

24" cable provided for connection between sensor and power control module

Housing Part Number (Example: SS4G4WSL4358)

Housing	LED Module	CCT / CRI	Dimming	Voltage	Options	
SS4G4WS	L1 (9 Watts)	278 (2700K / 80 CRI)	blank (Osram 0-10V 1%)	blank (Universal 120/277V)	EM7 (7W Emergency Backup w/ Remote Test Switch IOTA part #ILB-CP07-A)	
	L2 (13 Watts)	308 (3000K / 80 CRI)	-IE ¹ (Intellect Wireless 1%)	34 ⁴ (347V)		
	L3 (17 Watts)	358 (3500K / 80 CRI)	▼ Not available with universal voltage, must specify blank (120V) or 27 (277V) ▼			EM20 ⁶ (20W Emergency Backup w/ Remote Test Switch IOTA ILB-CP20-HE-S)
	L4 (21 Watts)	408 (4000K / 80 CRI)	-DIM ^{2,3} (Phase Dimming)	blank (120V)		
	L5 (26 Watts)		-ED10V1 (elddoLED 0-10V 1%)	27 (277V)	EOL (End-of-Life Indicator at 50,000 hours)	
	L6 (37 Watts)		-ED10V01 (elddoLED 0-10V 0.1%)		I100 (C-Channel Bar Hangers)	
	L7 (47 Watts)		-LUT ⁴ (Lutron® LDE1 EcoSystem 1%)		I200 (Flat Bar Hangers)	
		-LUT ⁵ (Lutron® LDE5 EcoSystem 5%)			I400 (Wood Joist Bar Hangers)	
		-DMXR ⁵ (DMX512 RDM 0.1%)				

Reflector Part Number (Example: ICS437HZ-SF)

Reflector	Reflector Finish	Trim
ICS437	HZ (Haze)	-SF (Self-Flanged)
		-SFW (Self-Flanged White)

Notes:

- Intellect not available with elddoLED, Lutron, Dali or DMX Dimming (Integrated intellect control system includes sensor and power pack. Keypad Room Controller must be specified separately.)
- Not available in L1, L2 or L7
- Not available in 277V
- Lutron not available in L1 & L7
- DMX512 RDM not available in L1 & L2
- 347V only available with Osram 0-10V 1% Dimming
- 20W emergency not available in L1, L2 & L3

SS4G4WS / ICS437

4" SS Square LED Wall Wash Gen 4

JOB NAME		CATALOG NUMBER	
NOTES		TYPE	

SS4G4WSL6358 /IC437HZ

Test Number: 20180419-3.006

Lumens: 1903.7lm

Watts: 36.6W

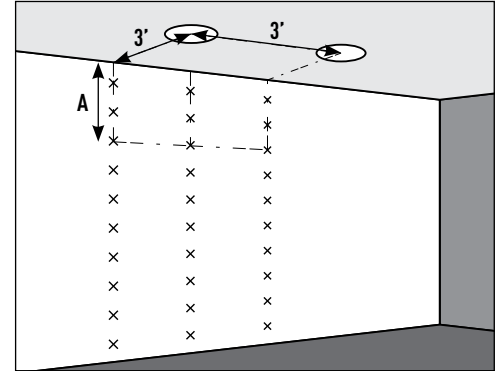
Efficacy: 52 lm/w

Lumen Multiplier:

- L1 (x 0.25)
- L2 (x 0.375)
- L3 (x 0.5)
- L4 (x 0.625)
- L5 (x 0.75)
- L6 (x 1.00)
- L7 (x 1.25)

Distance From Ceiling	2' From Wall On 3' Centers	3' From Wall On 3' Centers	3' From Wall On 4' Centers
	□ 3' □	□ 3' □	□ 4' □
1'	36 25 36	9 9 9	8 6 8
2'	83 92 83	35 43 35	29 29 29
3'	64 72 64	55 61 55	41 47 41
4'	43 45 43	48 51 48	36 40 36
5'	29 30 29	36 37 36	28 30 28
6'	19 20 19	26 27 26	21 22 21
7'	14 14 14	19 20 19	16 16 16
8'	10 10 10	14 15 14	12 12 12
9'	7 7 7	11 11 11	9 10 9
10'	5 6 5	8 8 8	7 8 7
11'	4 4 4	6 6 6	6 6 6
12'	3 3 3	5 5 5	5 5 5
13'	3 3 3	4 4 4	4 4 4
14'	2 2 2	3 3 3	3 3 3

Example: Two luminaires located 3' from wall and spaced 3' on center, the illumination on the wall 3' down from ceiling will be 68fc beneath units and 61fc between units



L6 LED Module - CCT Multipliers:

2700K (x 0.91), 3000K (x 0.99), 3500K (x 1.00), 4000K (x 1.02)