

SS6G4DR / IC630

6" SS LED Downlight Gen 4

JOB NAME		CATALOG NUMBER	
NOTES		TYPE	

ELECTRICAL DATA

LED Light Engine	System Wattage *		CCT	Nominal Delivered Lumens **
	120-277V	347V		
L1	9W	9.7W	3500K	1000lm
L2	13W	14.5W	3500K	1500lm
L3	17W	19.5W	3500K	2000lm

* System Wattage includes driver and LED Module consumption. | ** Delivered lumen output will vary depending on CCT selection.

LED MODULE

- Powered by OSRAM high performance LED engine
- 50,000 hours at 70% lumen maintenance
- 80 CRI at 2700K, 3000K, 3500K, 4000K

ELECTRICAL SYSTEM

- Universal voltage 120-277V when specified with Osram 0-10V 1% or Intellect options only
- eldoLED, Lutron and DMX Dimming must specify voltage
- Phase dimming available in 120V only
- 347V available with Osram 0-10V 1% Dimming only
- vPower factor >.9, 50/60Hz

EMERGENCY BACKUP

External battery operates LED load of up to 7W at a minimum of 850 lumens for 90 minutes (EM7). Available with remote or integral test switch, must specify.

OPTICAL SYSTEM

Specification grade reflector with 1.2mm thickness. Reflector available in clear specular, haze or white. Architectural, discrete polished self flange standard. Optional painted white flange is available. Meets RP-1 requirements with controlled light distribution at a 55° cut off.

DIMMING

- 0-10V Dimming 1%
- Forward/Reverse Phase Dimming 1% (120V only)
- eldoLED 0-10V 0.1% or 1%
- Lutron® LDE1 Hi-Lume 1% EcoSystem LED driver with Soft-on, Fade-to-Black dimming technology
- Lutron® LDE5 5-Series EcoSystem LED driver
- DMX512 RDM 0.1%

Intellect™

- Listed on the DesignLights Consortium (DLC) Qualified Product List (QPL) for Networked Lighting Control systems
- Integrated control system provides occupancy and light level detection, and controls the load directly by the power control module Integrated intelligent fixture controls
- Only hot and neutral power required at all devices, no need for control wires
- 12" ceiling height maximum
- 24" cable provided for connection between sensor and power control module
- Keypad Room controller must be specified separately
- Visit Leviton [Intellect™](#) for more info

FRAME CONSTRUCTION

Heavy duty galvanized steel frame with a large access junction box. ETL listed for through wiring. LED light engine and driver are accessible from above or below ceiling.

INSTALLATION

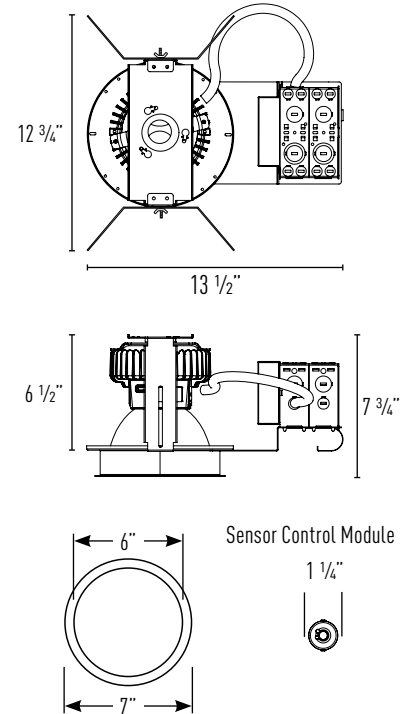
The luminaire is type Non-IC. Insulation must be kept at a minimum of 3" away from fixture. Universal mounting brackets included. Compatible with C-channel, flat bar, wood joist bar hanger and EMT. Bar hangers must be ordered separately. C-channel is recommended for T-bar ceilings. Maximum ceiling thickness is 1 1/4".

END-OF-LIFE INDICATOR

Optional end-of-life indicator helps the end user to receive a signal from the fixture indicating that it has reached its programmed life-time. After the LED driver reaches the programmed life-time, whenever it is turned ON, it stays at 'Dim' level (10%) for 10 minutes and then reaches its appropriate level.

LISTING/WARRANTY

- ETL listed to US and Canadian standards for damp locations.
- 5-Year Intense LED Limited Warranty



Ceiling Cut Out: 6 1/2"
Maximum Ceiling Thickness: 1 1/4"

Housing Part Number (Example: SS6G4DRL3358)

Housing	LED Module	CCT / CRI	Dimming	Voltage	Options	
SS6G4DR	L1 (9 Watts)	278 (2700K / 80 CRI)	blank (Osram 0-10V 1%)	blank (Universal 120/277V)	EM7 (7W Emergency Backup w/ Remote Test Switch IOTA part #ILB-CP07-A)	
	L2 (13 Watts)	308 (3000K / 80 CRI)	-IE ¹ (Intellect Wireless 1%)	34 ⁶ (347V)	EM7T (7W Emergency Unit w/ Integral Test Switch IOTA part #ILB-CP07-R)	
	L3 (17 Watts)	358 (3500K / 80 CRI)	▼ Not available with universal voltage, must specify blank (120V) or 27 (277V) ▼			EOL (End-of-Life Indicator at 50,000 hours)
		408 (4000K / 80 CRI)	-DIM ^{2,3} (Phase Dimming)	blank (120V)		I100 (C-Channel Bar Hangers)
		-ED10V1 (eldoLED 0-10V 1%)	27 (277V)		I200 (Flat Bar Hangers)	
		-ED10V01 (eldoLED 0-10V 0.1%)			I400 (Wood Joist Bar Hangers)	
		-LUT ⁴ (Lutron® LDE1 EcoSystem 1%)				
		-LUT5 ⁴ (Lutron® LDE5 EcoSystem 5%)				
		-DMXR ⁵ (DMX512 RDM 0.1%)				

Notes:

- Intellect not available with eldoLED, Lutron, DALI or DMX Dimming (Integrated intellect control system includes sensor and power pack Keypad Room Controller must be specified separately)
- Not available in L1 & L2
- Not available in 277V
- Lutron not available in L1
- DMX512 RDM not available in L1 & L2
- 347V only available with Osram 0-10V 1% Dimming

Reflector Part Number (Example: IC630HZ-SF)

Reflector	Reflector Finish	Trim	Option
IC630	C (Clear)	-SF (Self Flanged)	EM7T (Integral Test Switch)
	HZ (Haze)	-SFW (Self Flanged White)	
	W (White)		

SS-DOWNLIGHTING LUM-8922-23 P-9

INTENSE LIGHTING | 3340 E La Palma Ave, Anaheim, CA 92806 | tel 714 630-9877 | fax 714 630-9883

For Intense Lighting's limited product warranty, go to www.intenselighting.com. For a printed copy of the warranty, you may call 800 961-5321.

© 2023 Intense Lighting, LLC. All rights reserved. Note: This document is subject to change without notice.

SS6G4DR / IC630

6" SS LED Downlight Gen 4

JOB NAME		CATALOG NUMBER	
NOTES		TYPE	

SS6G4DRL1358 / IC630C

Test #: ILL-20170223-01.001
 Lumens: 1012.1lm
 Watts: 8.6W
 Efficacy: 117 lm/w

Distance to Floor (Feet)	Footcandles at Nadir	Beam Diameter (Feet)
6'	36.7fc	5' 7"
8'	20.7fc	7' 6"
10'	13.2fc	9' 6"
12'	9.2fc	11' 5"

Candela Distribution

Angle	Candela
0°	1322
5°	1299
15°	1106
25°	684
35°	335
45°	66

Zonal Lumen Summary

Zone	Lumens	%Fixture
0-30	743	73
0-40	951	94
0-60	1,010	100
60-90	2	.2
0-90	1,012	100

L1 LED Module - CCT Multipliers:

2700K (x 1.00), 3000K (x 1.00), 3500K (x 1.00), 4000K (x 1.08)

SS6G4DRL2358 / IC630C

Test #: ILL-20170223-01.002
 Lumens: 1520.2lm
 Watts: 12.8W
 Efficacy: 118 lm/w

Distance to Floor (Feet)	Footcandles at Nadir	Beam Diameter (Feet)
6'	55.2fc	5' 7"
8'	31fc	7' 6"
10'	19.9fc	9' 6"
12'	13.8fc	11' 5"

Candela Distribution

Angle	Candela
0°	1986
5°	1951
15°	1661
25°	1028
35°	503
45°	99

Zonal Lumen Summary

Zone	Lumens	%Fixture
0-30	1,116	73
0-40	1,428	94
0-60	1,517	100
60-90	4	.2
0-90	1,520	100

L2 LED Module - CCT Multipliers:

2700K (x 0.95), 3000K (x 0.97), 3500K (x 1.00), 4000K (x 1.03)

SS6G4DRL3358 / IC630C

Test #: ILL-20170223-01.003
 Lumens: 2024.2lm
 Watts: 17.2W
 Efficacy: 117 lm/w

Distance to Floor (Feet)	Footcandles at Nadir	Beam Diameter (Feet)
6'	73.5fc	5' 7"
8'	41.3fc	7' 6"
10'	26.4fc	9' 6"
12'	18.4fc	11' 5"

Candela Distribution

Angle	Candela
0°	2645
5°	2598
15°	2211
25°	1369
35°	670
45°	132

Zonal Lumen Summary

Zone	Lumens	%Fixture
0-30	1,486	73
0-40	1,901	94
0-60	2,019	100
60-90	5	.2
0-90	2,024	100

L3 LED Module - CCT Multipliers:

2700K (x 0.97), 3000K (x 0.97), 3500K (x 1.00), 4000K (x 1.03)