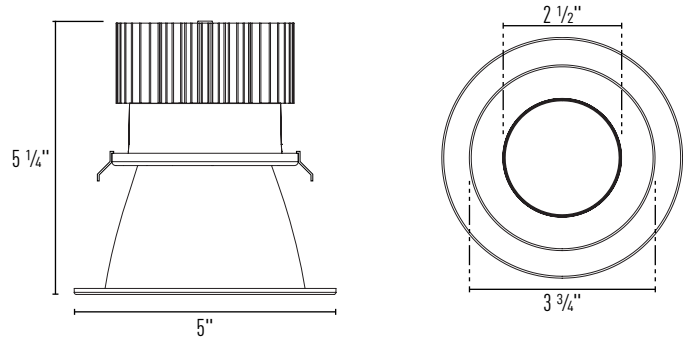


ICRL4

4" LED Downlight Deep Reflector Hardwire



JOB NAME		CATALOG NUMBER	
NOTES		TYPE	



Order Matrix | Example: ICRL4650279C-SFW

A	B	C	D
A	Series	D	Trim
ICRL4	4" LED Cree Downlight Reflector Hardwire	C-SFW SD-SFW	Clear Self Flanged White Semi Diffused Self Flanged White
B	Module Lumen Output	W-SF	White Self Flanged
650	650 Lumen 11W		
C	Color Temperature / CRI		
279	2700K / 90 CRI		
309	3000K / 90 CRI		
359	3500K / 90 CRI		
409	4000K / 90 CRI		

120-VAC Dimmer Compatibility

Manufacturer	Model / Series	Part Number(s)	Type	Dimmer Load
Cooper	Aspire	9530WS-K-L	600W STD	Compatible w/ 2 or more
	Aspire	9534WS-K-L	600W STD	Compatible w/ 2 or more
Lutron	Glyder	GLV-600-WH	600W STD	Compatible w/ 1 or more
	Skylark	S-1000-WH	1000W STD	Compatible w/ 1 or more
	Toggler	TGLV-600PR-WH	600W MLV	Compatible w/ 1 or more
	Diva	DVLV-600P-WH	600W MLV	Compatible w/ 2 or more
	Diva	DVLV-10P-WH	1000W MLV	Compatible w/ 2 or more
	Glyder	GL-1000-WH	1000W STD	Compatible w/ 2 or more
	Lyneo	LX-10PL-WH	1000W STD	Compatible w/ 2 or more
Leviton	Decora	RPI06	600W STD	Compatible w/ 2 or more

STD = Standard Dimmer
MLV = Magnetic Low-Voltage Dimmer

DESCRIPTION

4" recessed LED downlight with integral power supply. For use with compatible Intense Lighting recessed housings.

FEATURES

- Deep set LED for superior glare control and cut-off
- Cree TrueWhite Technology
- Comprehensive solution with driver electronics, optics and core thermals
- Supports dimming to 5% of rated light output
- Designed to last a minimum 50,000 hours at L70
- Versatile form factor for small-aperture designs
- IES LM-80 data in support of U.S. DOE ENERGY STAR® qualification

LED MODULE

Nominal input power = 11W
Module lumen output = 650 lm
Delivered lumens @ 3000K= 532 lm
CRI: 90
CCT: 2700K, 3000K, 3500K, 4000K

CREE TRUEWHITE TECHNOLOGY

- A better way to generate white light that utilizes a patented mixture of unsaturated yellow and saturated red LEDs.
- Proprietary optical system utilizes a unique combination of reflective and refractive optical components to achieve a uniform, comfortable appearance. Pixelation and direct view of LEDs is eliminated.
- Technology benefit - high CRI and efficacy allows customers to avoid having to make trade-offs between energy efficiency and light quality as compared to other lighting alternatives.

DIMMING

The ICRL4 module works with standard leading- and trailing-edge dimming technologies. Leading-edge dimmers can reduce light levels down to 5%. Trailing-edge dimmers can reduce light levels down to 10%. See dimmer compatibility chart.

MOUNTING

Spring clips safely secure LED trim and module to housing.

REFLECTOR

High quality aluminum spun reflector available in clear, semi diffuse or white finish. Self flange trim is standard.

COMPATIBLE HOUSINGS

ICRL4 is compatible with the Intense Lighting IL4AIC and IL4RAIC recessed housings.

LISTING / WARRANTY

- ETL listed to US and Canadian standards for wet locations
- 10-Year Intense LED Limited Warranty

JOB NAME		CATALOG NUMBER	
NOTES		TYPE	

Catalog #: ICRL4650309C-SFW

4" LED Cree Downlight Reflector Hardwire

Report #: 30363

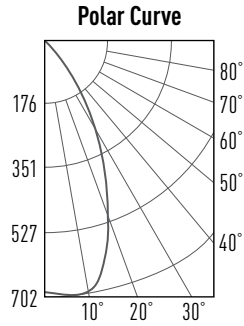
Reflector Finish: Specular Clear

Color Temperature: 3000K

Luminaire Lumens: 532 lm

Total Input Watts: 9.7W

Efficiency: 54.8 Lumens Per Watt

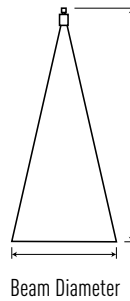


Coefficients of Utilization
Effective Floor Cavity Reflectance = .20

RC	Wall Reflectance														
	80		70		50		30		0						
RW	70	50	30	10	70	50	30	10	50	30	10	50	30	10	0
1	114	111	109	107	111	109	107	105	105	103	102	101	100	99	94
2	109	104	100	97	106	102	99	96	99	96	94	86	94	92	88
3	104	98	93	89	102	96	92	88	94	90	87	91	88	86	83
4	99	92	86	82	97	91	86	82	88	84	88	86	83	80	78
5	94	86	81	77	93	85	80	76	84	79	76	82	78	75	73
6	90	81	76	72	88	81	75	71	79	74	71	78	74	71	69
7	86	77	71	67	84	76	71	67	75	70	67	74	70	66	65
8	82	73	67	63	81	72	67	63	71	66	63	70	66	63	61
9	78	69	63	60	77	69	63	60	68	63	59	67	62	59	58
10	75	66	60	56	74	65	60	56	64	60	56	64	59	56	55



Candelas at Nadir		Zonal Lumen Summary			Zonal Lumen Summary	
Degree	Candela	Zone	Lumens	%Fixture	Zone	Lumens
0	685.9	0-30	415.95	77.9	0-10	66.53
5	694.5	0-40	511.02	95.8	10-20	172.27
10	697.8	0-60	533.68	100	20-30	177.15
20	507.5	0-90	533.68	100	30-40	95.06
30	269.9	40-70	22.66	4.2	40-50	21.43
40	66.8	60-80	0	0	50-60	1.23
50	4.9	90-180	0	0	60-70	0
60	0	0-180	533.68	100	70-80	0



Spacing Criteria	Candela	Luminaire Lumens	Lumens Per Watt
0.86	685.9	532	54.8

Throw Distance (d)	8' (2.4m)	10' (3m)	12' (3.7m)
Beam Diameter	6.8' (2.1m)	8.4' (2.6m)	10.1' (3.1m)
Illuminance (fc)	10.7	6.9	4.8
Illuminance (lux)	116	73.8	51.3

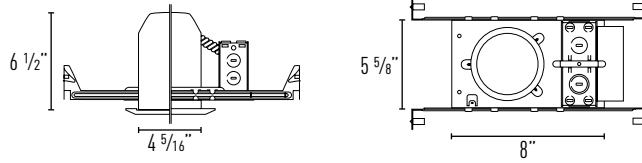
All testing was conducted in accordance with **LM-79-08**, Approved Method: Electrical and Photometric Measurements of Solid-State Lighting Products as published by the Illuminating Engineering Society of North America (IESNA).

4" Housings for use with ICRL4 / ICRLS4

JOB NAME		CATALOG NUMBER	
NOTES		TYPE	

IL4AIC

4" IC Air-Tight LED Dedicated New Construction Housing



Ceiling Cut-Out: 4 5/16"

Height: 6 1/2"

DESCRIPTION

The IL4AIC recessed down light can be used for either commercial or residential new construction applications. Designed specifically for use with the ICRL4 or ICRLS4 downlight. Designed for direct contact with insulation. Airtight certified ASTM E283.

INSTALLATION

Includes adjustable hanger bars (14"-25") with integral nail. Bar hangers can be repositioned 90° without tools. Bar hangers can be locked into place with locking screws. Maximum ceiling thickness is 1 1/4".

JUNCTION BOX

Galvanized steel junction box with 1/2" and romex wiring knockouts, with removable access plates for easy installation. 120V input only.

THERMAL PROTECTOR

Integral thermal protector protects against improper lamping and insulation proximity.

COMPATIBLE TRIMS

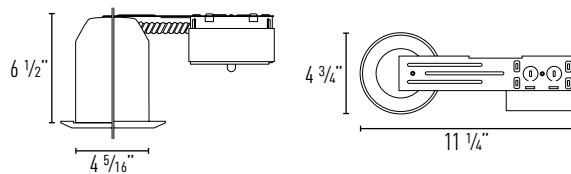
ICRL4 or ICRLS4

LABELS

- ETL listed for through-branch wiring and damp locations. (See trim for wet location listing).
- ETL listed to US and Canadian safety standards.

IL4RAIC

4" IC Air-Tight LED Dedicated Remodel Housing



Ceiling Cut-Out: 4 5/16"

Height: 6 1/2"

DESCRIPTION

The IL4RAIC recessed down light can be used for either commercial or residential remodel applications. Housing installs through existing cut out and is secured in place by four high tension springs. Designed specifically for use with the ICRL4 or ICRLS4 LED downlight. Designed for direct contact with insulation. Airtight certified ASTM E283.

INSTALLATION

Three high tension springs secure housing into ceiling with up to 5/8" thickness.

JUNCTION BOX

Galvanized steel junction box with 1/2" and romex wiring knockouts, with removable access plates for easy installation. 120V input only.

THERMAL PROTECTOR

Integral thermal protector protects against improper lamping and insulation proximity.

COMPATIBLE TRIMS

ICRL4 or ICRLS4

LABELS

- ETL listed for through-branch wiring and damp locations. (See trim for wet location listing).
- ETL listed to US and Canadian safety standards.

RECESSED LJM-0314.16 P-3

Intense Lighting

3340 E La Palma Ave, Anaheim, CA 92806 | tel 714 630-9877 | fax 714 630-9883

©2016 Intense Lighting, LLC. All rights reserved. Subject to change without notice.