

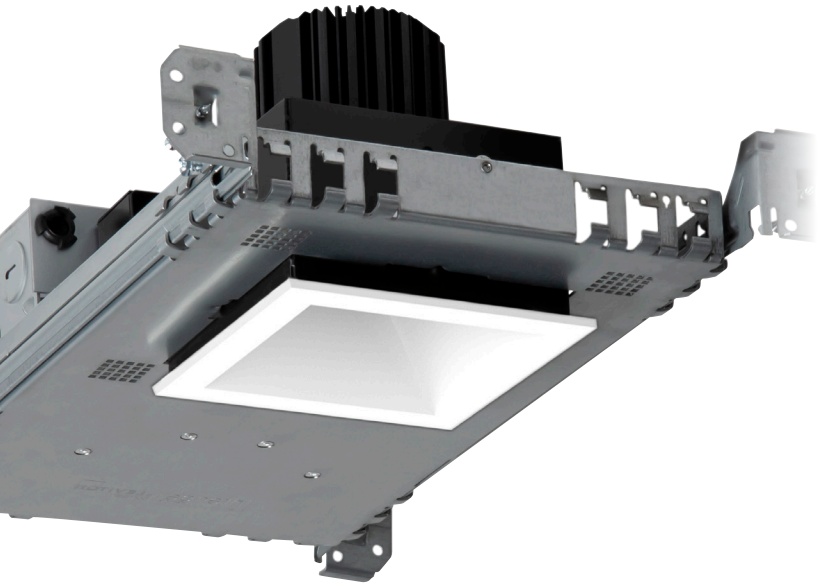
MX
NAKED

3.5-Inch Architectural
Flat Frame Downlight



3.5-Inch Architectural Flat Frame Downlight

3.5" MX G2 Naked LED Downlight



MX Naked matches the look and performance of the standard MX downlight from below the ceiling in an economical design. MX naked is available in open and lensed wet location round and square trims. Color temperature options range from 2700K to 4100K in 82 and 92 CRI. Standard 1%, 0-10V dimming with phase and lutron options available as well an emergency backup option.

- New Construction Flat Frame
- Up to 1850 lumens
- 82 & 92 CRI in 2700K to 4100K CCT's
- Specification Grade Trims (Round, Square, Open & Lensed)
- Performance TIR optics (12° to 50°)
- Standard 1%, 0-10V dimming with Phase and Lutron options

Performance TIR Optics

High performance 12° to 50° optics producing up to 24,500 CBCP

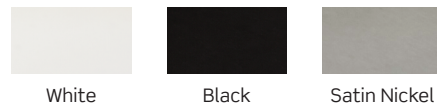
Specification Grade Trims

Featuring a die-cast aluminum trim which provides an elegant specification grade look. Available in round, square, open and lensed wet location. Finishes include architectural grade black, white and satin nickel.

Adjustable Collar Heights

In-field adjustable collar from 1/2" to 1-1/4" with extended collar option extending the range from 1-1/4" to 2-1/2"

Trim Finishes



Warm Dimming Availability

Electrical Data (Nominal Delivered Lumens)

L0		950lm	10W
L1		1300lm	16W
L2		1550lm	20W
L2		1850lm	26W



MXTFG2-RTRD300
3.5-Inch Downlight



MXTFG2-RTRD302
3.5-Inch Lensed
Downlight (Wet Location)



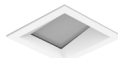
MXTFG2-STRD300
3.5-Inch Square
Downlight



MXTFG2-STRD302
3.5-Inch Square Lensed
Downlight (Wet Location)



MXFG2-RTRW300
3.5-Inch Round
Wall Wash (Wet Location)



MXTFG2-STRW300
3.5-Inch Square
Wall Wash (Wet Location)



MXTFG2-RTRD306
3.5-Inch Round
Pinhole



MXTFG2-STRD306
3.5-Inch Square
Pinhole