

# SS-EZR

## 6" or 8" SSG3 Retrofit Mounting System

### DESCRIPTION

Unique two-piece retrofit system for easy installation in remodel applications. Designed specifically for SSG3 6" and 8" remodel luminaires.

### FEATURES

- Innovative two-piece design with top and bottom mounting plates
- Folding top plate for easier installation above ceiling
- For SS 6", extends cut out to between 7.5" and 8.5"
- For SS 8", extends cut out to between 9.5" and 10.5"

### HARDWARE

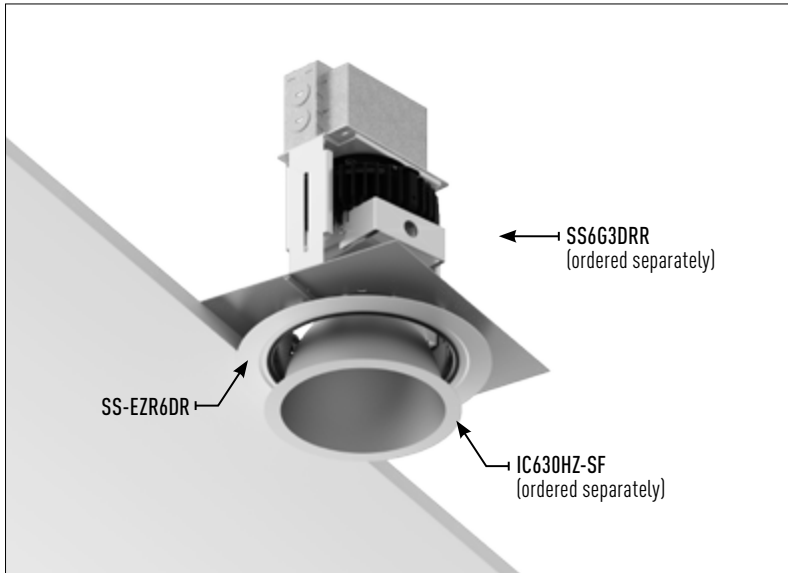
Includes (3) 6-32 wing nuts

### CEILING THICKNESS

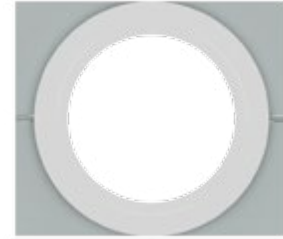
See remodel luminaire specifications.

### CONSTRUCTION

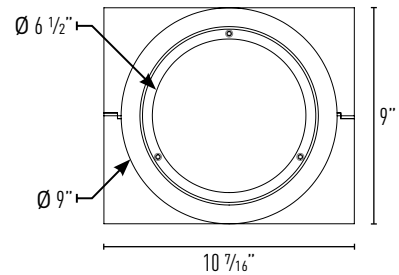
- Durable field paintable white bottom plate
- Cold rolled steel on bottom plate and galvanized steel on top plate



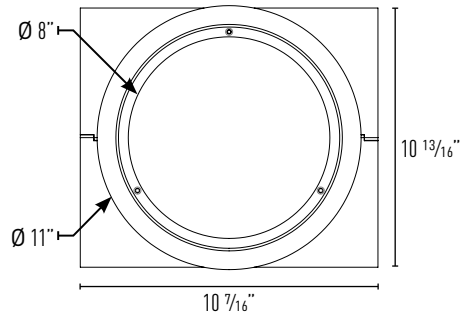
|          |  |                |  |
|----------|--|----------------|--|
| JOB NAME |  | CATALOG NUMBER |  |
| NOTES    |  | TYPE           |  |



**SS-EZR6DR**



**SS-EZR8DR**



Example: SS-EZR6DR

### Retrofit System

- SS-EZR6DR (6" Retrofit System)
- SS-EZR8DR (8" Retrofit System)