

**⚠ WARNING**

Risk of electrical shock. Disconnect power before servicing or installing luminaire.

**⚠ WARNING**

Risk of injury or damage. Luminaire will fail if not installed properly. Follow installation instructions.

**⚠ WARNING**

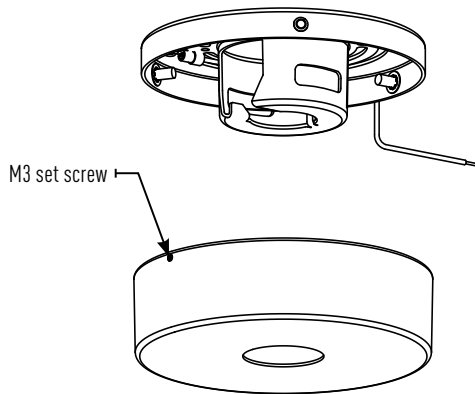
Risk of injury. Wear safety glasses and gloves during installation and servicing. Allow ample time to cool before handling.

**IMPORTANT SAFETY INSTRUCTIONS**

- Read all installation instructions before installing. It is important to save these instructions.
- **Only install and connect LED module with power disconnected at the circuit breaker. Hot plugging, or connecting the module with power on, could damage the LEDs and is not covered by warranty.**
- Observe and follow all label information and instructions regarding dry, damp and wet location listings, proper Intense LED module, warnings of installation near combustible materials and/or insulation.
- Be sure to connect ground wire to prevent electric shock or other potential hazards.
- The product must be installed in a manner consistent with the intended use and in compliance with the national electrical codes and local codes by a person familiar with the construction and operation of the product and the hazards involved.
- **WARNING:** Use only Intense Lighting trims listed for use with this fixture. Use of trims other than those listed by Intense Lighting is a violation of N.E.C 110-3(b) and voids all warranties.

**REMOVE CANOPY:**

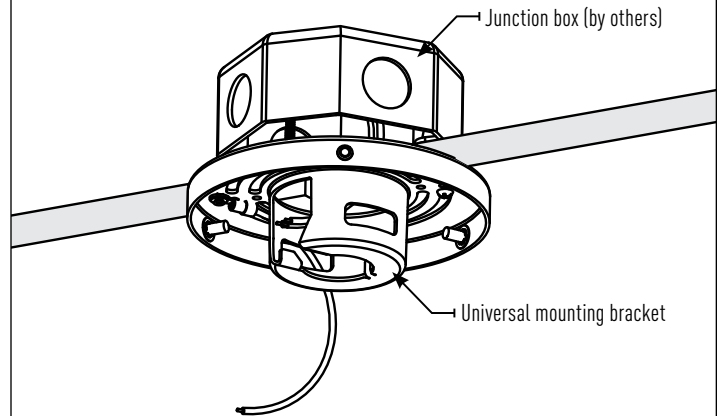
1. Loosen M3 slotted set screw with a flat head screwdriver, pull canopy down to remove (twist clockwise or counter clockwise if hard to remove).



1

**ATTACH MOUNTING BRACKET TO JUNCTION BOX:**

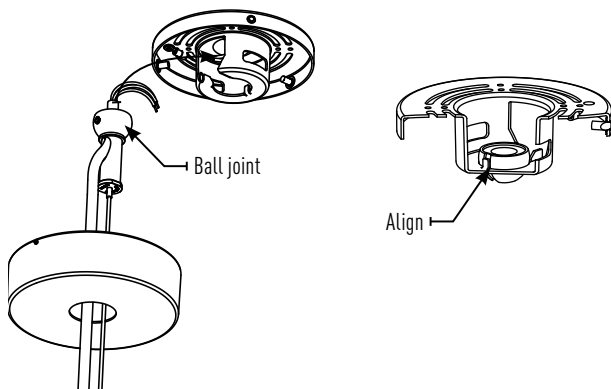
1. Attach universal mounting bracket to junction box (by others) using hardware supplied.



2

**SUSPEND BALL JOINT:**

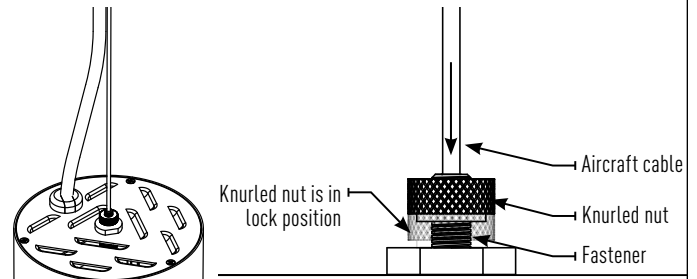
1. Thread end ball joint through canopy and insert through opening on universal mounting bracket.
2. Align the groove on the ball joint with the tab on the universal mounting bracket, opposite of the opening.



3

**FASTENING AIRCRAFT CABLE TO LID:**

1. Loosen knurled nut counter clockwise to top of fastener, then depress knurled nut and slide aircraft cable into housing until fixture is at desired height.
2. Turn knurled nut clockwise until tight to lock cable into position.

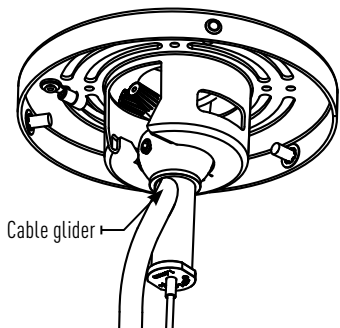


4

**ELECTRICAL CONNECTIONS:**

5

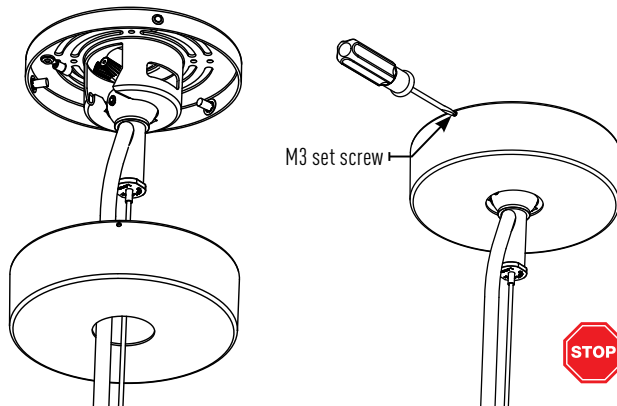
1. Pull excess power cable through cable glider.
2. Make electrical connections side of universal mounting bracket.
3. Connect ground wire from universal mounting bracket to green (ground) supply wire and ground wire from fixture, white wire from cylinder to white (neutral) supply wire and black wire from cylinder to black (hot) supply wire. Use UL listed connectors or wire nuts (by others) to make the connections. Connect dimming wires if applicable, see page 4.



**MOUNT CANOPY:**

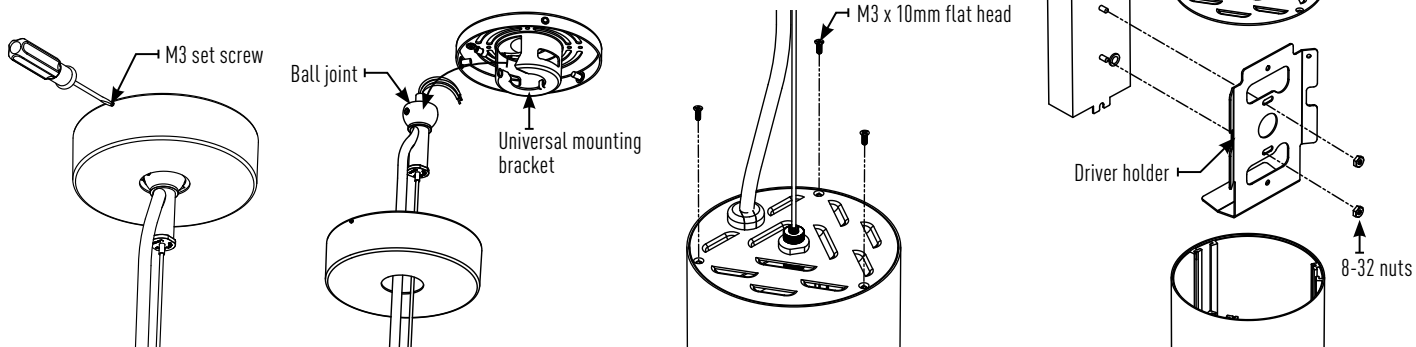
6

1. Slide canopy up and snap into the universal mounting bracket. May need to loosen M3 slotted set screw for clearance of canopy.
2. Tighten M3 slotted set screw with a flat head screwdriver.



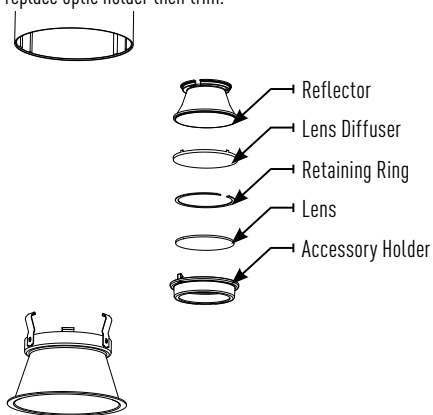
**MAINTENANCE:**

1. Loosen M3 slotted set screw with a flat head screwdriver, pull canopy down to remove (twist clockwise or counter clockwise if hard to remove).
2. Disconnect wires from junction box.
3. Remove ball joint and cable glider from universal mounting bracket.
4. Remove all three M3 x 10mm flat head fasteners and driver holder from cylinder.
5. Remove two 8-32 nuts from the driver and keep for replacement.
6. Replace new driver on driver plate, see wiring diagram on page 4.



**REPLACING OPTICS / INSTALLING ACCESSORIES:**

1. Remove trim, then remove optic holder from cylinder.
2. Remove retaining ring that secures optic, then remove optic.
3. Install accessory in optic holder and/or insert new optic.
4. Secure retaining ring and replace optic holder then trim.



# WIRING & DIMMING COMPATIBILITY

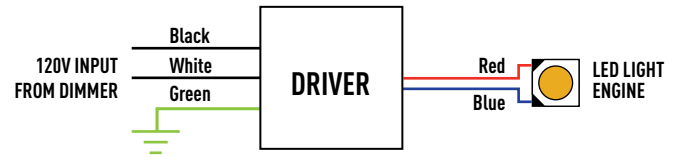
For use with all Intense Lighting product with supported dimming options.  
Please check configuration of product for correct dimming protocol.

## Phase Dimming or Lutron® LTEA2W Hi-Lume 2-Wire

- 120V Only
- Forward 1% / Reverse 5%

### COMPATIBLE DIMMERS

Product	Part Number(s)	Type
Leviton	IPE04	Reverse
Leviton	IP106-1LZ	Forward
Leviton	6633-P	Forward
Lutron	DVELV300P	Reverse
Lutron	DVCL-153P	Forward
Lutron	S600P	Forward
Cooper	DLC03P	Forward
Cooper	DAL06P	Forward

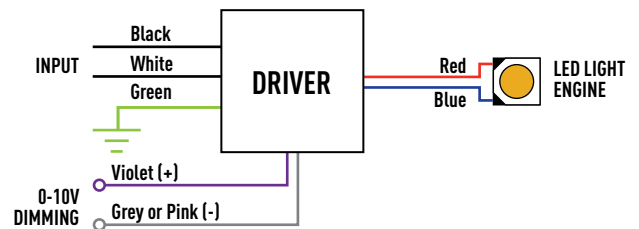


## 0-10V Dimming

- 120V or 277V
- Dims down to 1% or 0.1% light output
- Consult dimming manufacturer for installation instructions and power packs

### COMPATIBLE DIMMERS

Manufacturer	Part Number(s)
HUNT	PS-010-IV-120V, PS-010-WH-120V, PS-010-3W-IV-120, PS-010-3W-WH-120V, PS-010-IV-277V, PS-010-WH-277V, PS-010-3W-IV-277V, PS-010-3W-WH-277V, FD-010: PS-IFC-010-IV, PS-IFC-010-WH-120/277V, FD-010: PS-IFC-010-3W-IV, PS-IFC-010-3W-WH-120/277V, FD-010-120V, FD-010-277V
Leviton	Leviton Centura Fluorescent Control System, IllumaTech™ IP7 Series, DPSPE-212
Lightolier	ZP600FAM120, MP1500FAM120, V2000FAMU
Lithonia	LEQ BC, LEQ LVBC, SLD LVBC, SQ1DC
Lutron	DVTV, NTFTV
Synergy	ISD BC 120/277

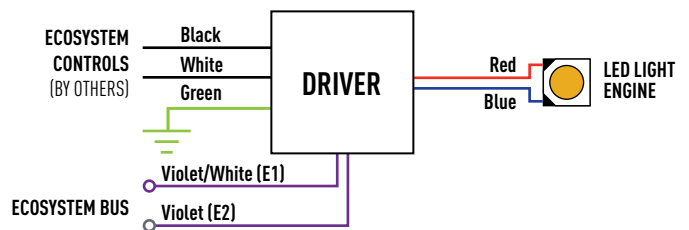


## Lutron® LDE1 Hi-Lume EcoSystem

- 120V or 277V
- Dims down to 1%
- Consult dimming manufacturer for installation instructions

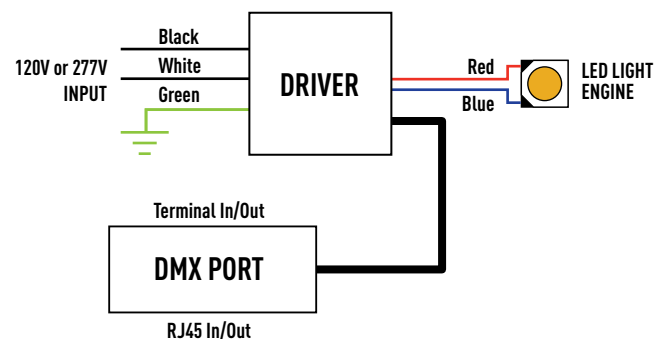
### COMPATIBLE DIMMERS

Product	Part Number(s)
EcoSystem	CS-1L-WM, CS-2L-WM, CS-1L-CM, CS-2L-CM, EcoSystem ESN, Grafik Eye QS with EcoSystem, Quantum



## DMX512 RDM (Downlights with RJ45)

- 120V or 277V
- Dims Down to 0.1% Light Output
- RDM Channel Programmable

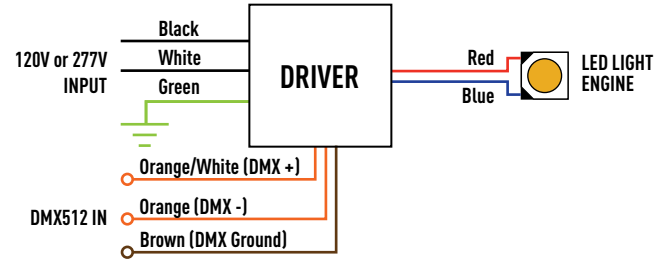


# WIRING & DIMMING COMPATIBILITY

For use with all Intense Lighting product with supported dimming options.  
Please check configuration of product for correct dimming protocol.

## DMX512 RDM (Cylinders without RJ45)

- 120V or 277V
- Dims Down to 0.1% Light Output
- RDM Channel Programmable

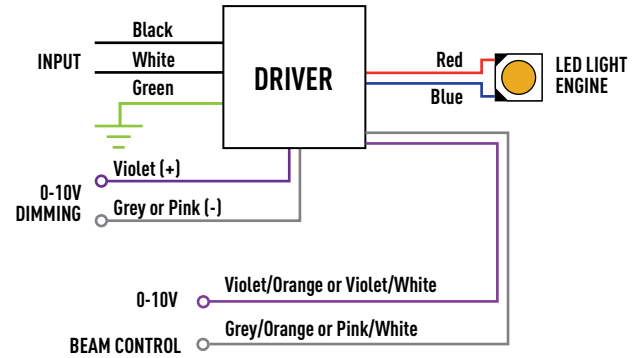


## 0-10V With Dynamic Beam

- 120V or 277V
- Dims down to 1% or 0.1% light output
- Consult dimming manufacturer for installation instructions and power packs

### COMPATIBLE DIMMERS

Manufacturer	Part Number(s)
HUNT	PS-010-IV-120V, PS-010-WH-120V, PS-010-3W-IV-120, PS-010-3W-WH-120V, PS-010-IV-277V, PS-010-WH-277V, PS-010-3W-IV-277V, PS-010-3W-WH-277V, FD-010: PS-IFC-010-IV, PS-IFC-010-WH-120/277V, FD-010: PS-IFC-010-3W-IV, PS-IFC-010-3W-WH-120/277V, FD-010-120V, FD-010-277V
Leviton	Leviton Centura Fluorescent Control System, IllumaTech™ IP7 Series, DPSPE-212
Lightolier	ZP600FAM120, MP1500FAM120, V2000FAMU
Lithonia	LEQ BC, LEQ LVBC, SLD LVBC, SQ1DC
Lutron	DVTV, NTFTV
Synergy	ISD BC 120/277

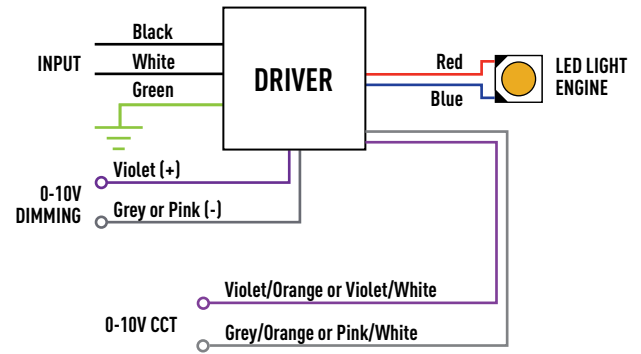


## 0-10V With Tunable White

- 120V or 277V
- Dims down to 1% or 0.1% light output
- Consult dimming manufacturer for installation instructions and power packs

### COMPATIBLE DIMMERS

Manufacturer	Part Number(s)
HUNT	PS-010-IV-120V, PS-010-WH-120V, PS-010-3W-IV-120, PS-010-3W-WH-120V, PS-010-IV-277V, PS-010-WH-277V, PS-010-3W-IV-277V, PS-010-3W-WH-277V, FD-010: PS-IFC-010-IV, PS-IFC-010-WH-120/277V, FD-010: PS-IFC-010-3W-IV, PS-IFC-010-3W-WH-120/277V, FD-010-120V, FD-010-277V
Leviton	Leviton Centura Fluorescent Control System, IllumaTech™ IP7 Series, DPSPE-212
Lightolier	ZP600FAM120, MP1500FAM120, V2000FAMU
Lithonia	LEQ BC, LEQ LVBC, SLD LVBC, SQ1DC
Lutron	DVTV, NTFTV
Synergy	ISD BC 120/277



## DALI With Tunable White

- 120V or 277V
- Dims down to 0.1%

