

⚠ WARNING

Risk of electrical shock. Disconnect power before servicing or installing luminaire.

⚠ WARNING

Risk of injury or damage. Luminaire will fail if not installed properly. Follow installation instructions.

⚠ WARNING

Risk of injury. Wear safety glasses and gloves during installation and servicing. Allow ample time to cool before handling.

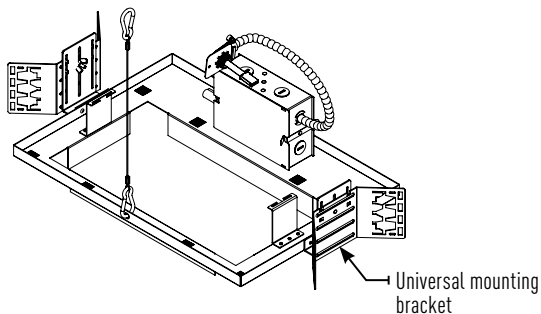
IMPORTANT SAFETY INSTRUCTIONS

- Read all installation instructions before installing. It is important to save these instructions.
- **Only install and connect LED module with power disconnected at the circuit breaker. Hot plugging, or connecting the module with power on, could damage the LEDs and is not covered by warranty.**
- Connectors on modules and approved housings are keyed for specific voltage combinations; do not force or attempt to bypass connectors.
- Observe and follow all label information and instructions regarding dry, damp and wet location listings, proper Intense LED module, warnings of installation near combustible materials and/or insulation.
- Turn off power at circuit breaker before attempting to install or perform maintenance on the fixtures.
- Be sure to connect ground wire to prevent electric shock or other potential hazards.
- The product must be installed in a manner consistent with the intended use and in compliance with the national electrical codes and local codes by a person familiar with the construction and operation of the product and the hazards involved.
- Do not block the trim aperture as this may cause unsafe operating conditions.
- **WARNING: RISK OF FIRE.** Non-IC fixture requires that insulation must be kept at least 3" away from all sides of the fixture. Minimum of 90°C supply conductors. Consult a qualified electrician before installation.

WARNING: Use only Intense Lighting trims listed for use with this fixture. Use of trims other than those listed by Intense Lighting is a violation of N.E.C 110-3(B) and voids all warranties.

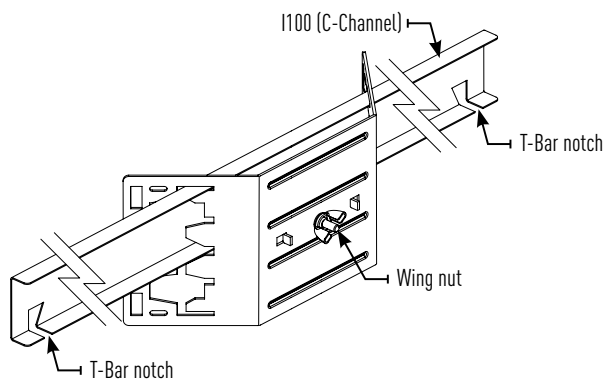
FRAME-IN INSTALLATION:

1. Cut out ceiling hole according to number of heads:
 - 1 Head: 8 1/4" x 8 1/8", 2 Head: 15 3/8" x 8 1/8",
 - 3 Head: 22 1/2" x 8 1/8", 4 Head: 29 5/8" x 8 1/8",
2. Mount fixture frame-in according to ceiling type.
 - Universal mounting bracket has slot openings for C-channel, flat bar, and 1/2" EMT; secure to joist or grid using fasteners or wire. C-channel hangers are recommended for T-Bar ceilings, install with notches facing down to engage T-Bar grid.



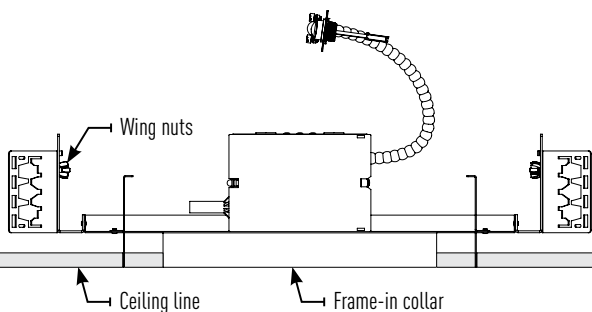
MOUNTING:

Bar hanger mounting brackets offer several height choices depending on installation requirements. C-Channel, EMT and other joist bars can be ordered for various ceiling types.



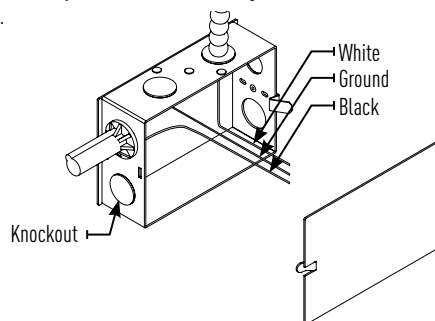
CEILING THICKNESS:

Luminaire accommodates up to 1 1/2" ceiling thickness. Loosen wing nuts to make adjustments so that frame-in collar is flush with the ceiling line.



ELECTRICAL CONNECTIONS:

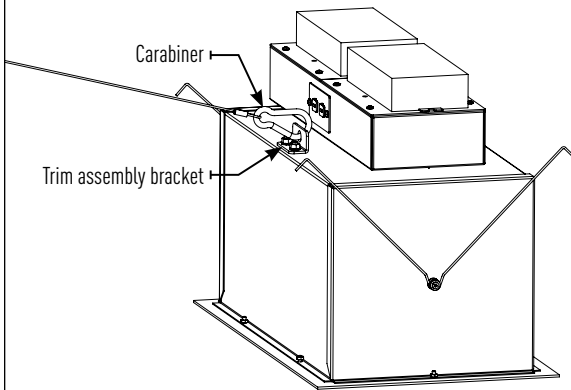
1. Make electrical connections through desired knockout for conduit, MC and Romex® cable. Use only UL listed connectors (supplied by others).
2. Connect ground from fixture to green (GROUND) supply wire, white wire from fixture to white (NEUTRAL) supply wire and black wire from fixture to black (HOT) supply wire. Use UL listed connectors or wire nuts to make the connections (supplied by others). Connect dimming wires if applicable, see page 5.
3. Close and lock junction box door ensuring all wire connections and wires are contained within.



CARABINER HARNESS:

1. Frame-in includes carabiner harness for installation of the trim.
2. Connect the carabiner to the trim assembly bracket.

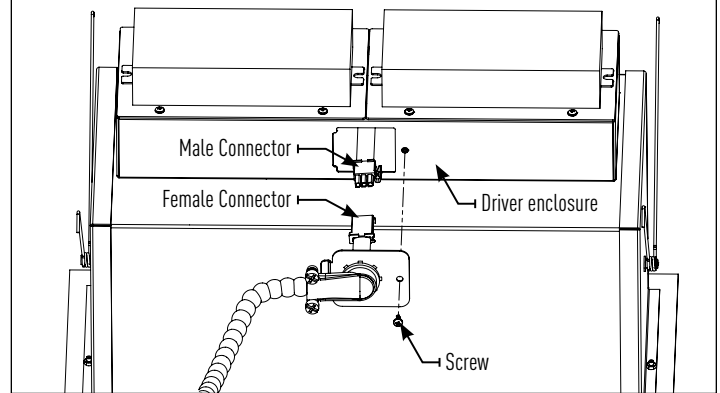
5



CONNECT FRAME-IN TO TRIM:

1. Connect male connector on trim to female connector on frame-in.
2. Insert connectors inside driver enclosure and secure closed with screw.

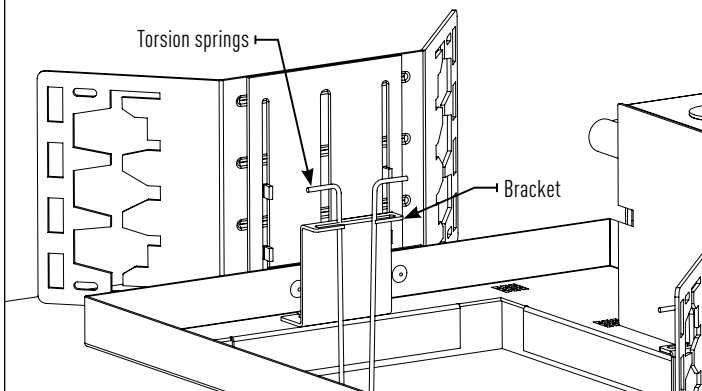
6



TRIM INSTALLATION:

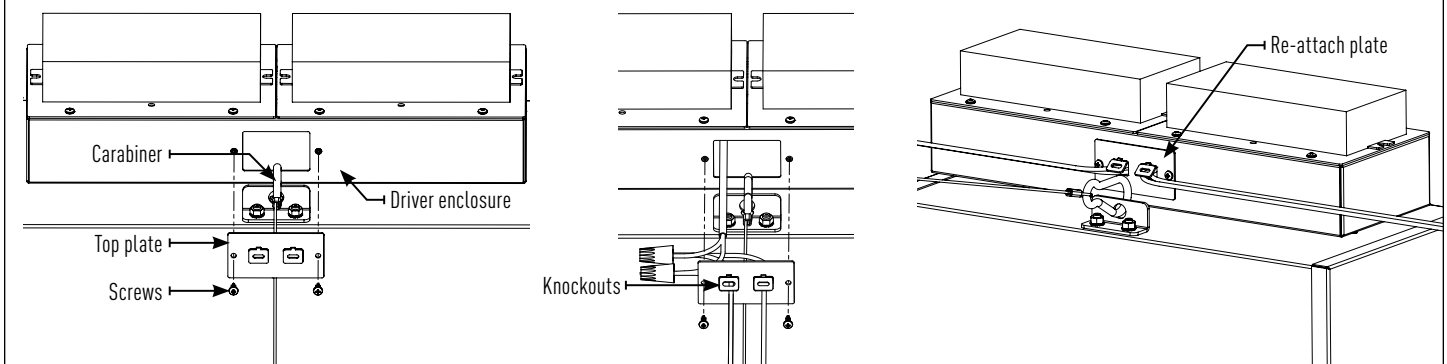
1. Squeeze torsion springs on trim and insert into bracket in frame-in.
2. Push trim into frame-in collar, torsion springs will expand and hold trim in place.
3. Make sure trim is flush with ceiling.

7



0-10V DIMMING:

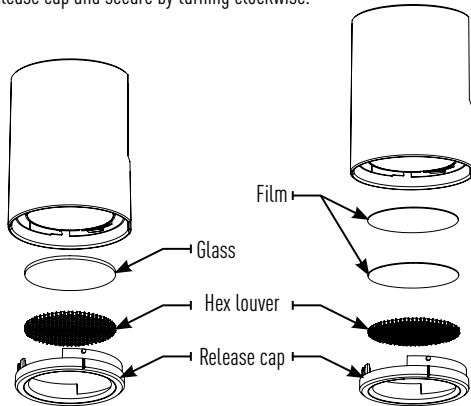
1. Remove two screws from the top plate on the trim assembly.
2. Take out the Romex® knockout and feed the two wires through the knockout. If needed, use the second knockout to daisy chain multiple fixtures.
3. Connect the purple wire (positive) and the grey wire (negative) to incoming dimming wires.
4. Re-attach top plate and screws.



INSTALLING ACCESSORIES:

Note: Luminaire will accept one hex louver and (1) glass or (2) films

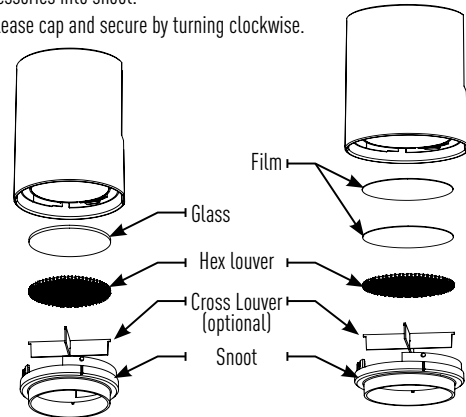
1. Rotate release cap by turning counter clockwise.
2. Install accessories into release cap.
3. Replace release cap and secure by turning clockwise.



INSTALLING SNOOT AND CROSS LOUVER WITH ACCESSORIES:

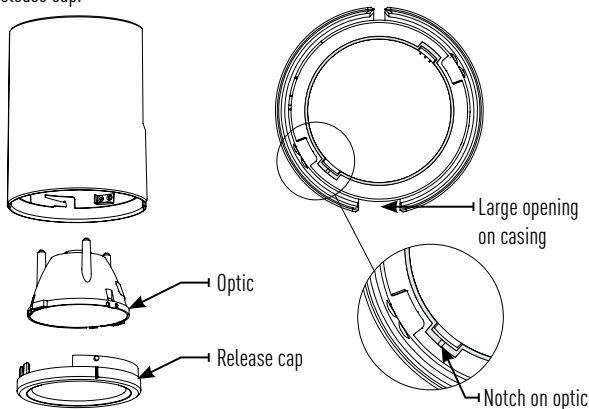
Note: Luminaire will accept one hex louver and (1) glass or (2) films

1. Rotate release cap by turning counter clockwise.
2. If necessary, install cross louver into snoot.
3. Install accessories into snoot.
4. Replace release cap and secure by turning clockwise.



OPTIC REPLACEMENT:

1. Rotate release cap by turning counter clockwise.
2. Release optic by turning counter clockwise and replace optic with notch .
3. Replace optic with notch closest to large opening on casing.
4. Replace release cap.

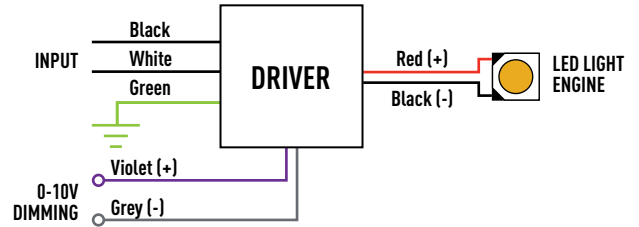


0-10V DIMMING

- 120V/277V
- Dims down to 1% or 0.1% light output
- Consult dimming manufacturer for installation instructions and power packs

COMPATIBLE DIMMERS

Manufacturer	Part Number(s)
HUNT	PS-010-IV-120V, PS-010-WH-120V, PS-010-3W-IV-120, PS-010-3W-WH-120V, PS-010-IV-277V, PS-010-WH-277V, PS-010-3W-IV-277V, PS-010-3W-WH-277V, FD-010: PS-IFC-010-IV, PS-IFC-010-WH-120/277V, FD-010: PS-IFC-010-3W-IV, PS-IFC-010-3W-WH-120/277V, FD-010-120V, FD-010-277V
Leviton	Leviton Centura Fluorescent Control System, IllumaTech™ IP7 Series, DPSPE-212
Lightolier	ZP600FAM120, MP1500FAM120, V2000FAMU
Lithonia	LEQ BC, LEQ LVBC, SLD LVBC, SQ1DC
Lutron	DVTV, NTFTV
Synergy	ISD BC 120/277

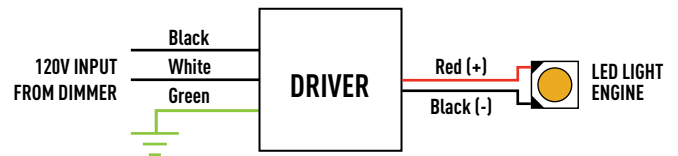


ELV DIMMING (PHASE)

- 120V only
- Dims down to 1%
- Consult dimming manufacturer for installation instructions

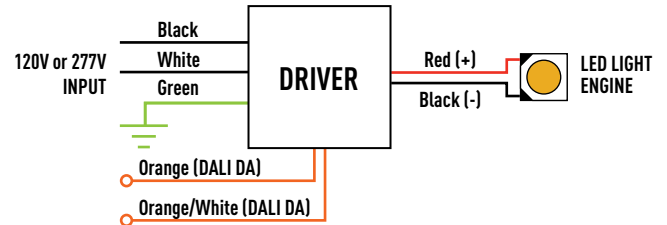
COMPATIBLE DIMMERS

Product	Part Number(s)	Type	GRAVITY MODULE DIMS DOWN TO				
			M1	M2	L1	L2	L3
Leviton	IPE04	Reverse	-	-	-	-	-
Leviton	IPI06-1LZ	Forward	-	-	-	-	-
Leviton	6633-P	Forward	-	-	-	-	-
Lutron	DVELV300	Reverse	-	-	-	-	-
Lutron	DVCL-153P	Forward	-	-	-	-	-
Lutron	S600P	Forward	-	-	-	-	-
Cooper	DLC03P	Forward	-	-	-	-	-
Cooper	DAL06P	Forward	-	-	-	-	-



DALI DIMMING

- 120V or 277V
- Dims down to 1% or 0.1% light output



DMX512 RDM DIMMING

- 120V or 277V
- Dims down to 0.1% light output
- RDM channel programmable

