

⚠ WARNING

Risk of electrical shock. Disconnect power before servicing or installing luminaire.

⚠ WARNING

Risk of injury or damage. Luminaire will fail if not installed properly. Follow installation instructions.

⚠ WARNING

Risk of injury. Wear safety glasses and gloves during installation and servicing. Allow ample time to cool before handling.

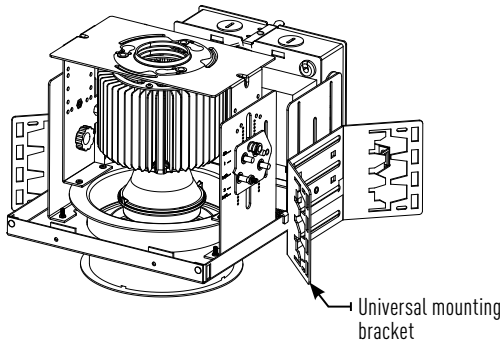
IMPORTANT SAFETY INSTRUCTIONS

- Read all installation instructions before installing. It is important to save these instructions.
- **Only install and connect LED module with power disconnected at the circuit breaker. Hot plugging, or connecting the module with power on, could damage the LEDs and is not covered by warranty.**
- Connectors on modules and approved housings are keyed for specific voltage combinations; do not force or attempt to bypass connectors.
- Observe and follow all label information and instructions regarding dry, damp and wet location listings, proper Intense LED module, warnings of installation near combustible materials and/or insulation.
- Turn off power at circuit breaker before attempting to install or perform maintenance on the fixtures.
- Be sure to connect ground wire to prevent electric shock or other potential hazards.
- The product must be installed in a manner consistent with the intended use and in compliance with the national electrical codes and local codes by a person familiar with the construction and operation of the product and the hazards involved.
- **Do not block the trim aperture as this may cause unsafe operating conditions.**
- **WARNING: RISK OF FIRE.** Non-IC fixture requires that insulation must be kept at least 3" away from all sides of the fixture. Minimum of 90°C supply conductors. Consult a qualified electrician before installation.

WARNING: Use only Intense Lighting trims listed for use with this fixture. Use of trims other than those listed by Intense Lighting is a violation of N.E.C 110-3(B) and voids all warranties.

HOUSING INSTALLATION:

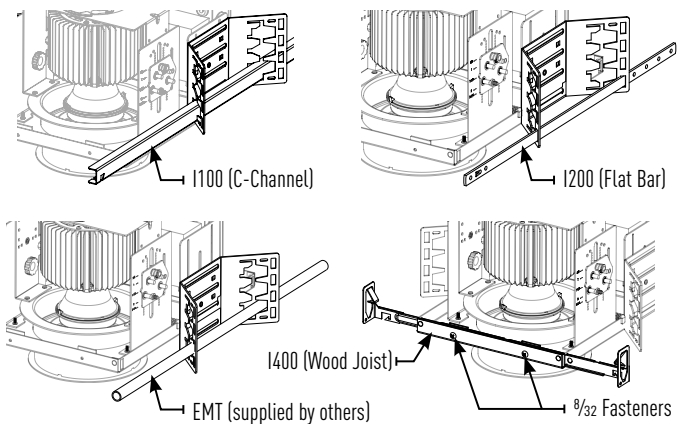
1. Cut out the ceiling hole to 5 1/4" diameter.
2. Mount fixture housing according to ceiling type.
 - Universal mounting bracket has slot openings for C-channel, flat bar, and 1/2" EMT; secure to joist or grid using fasteners or wire. C-channel hangers are recommended for T-Bar ceilings, install with notches facing down to engage T-Bar grid.



1

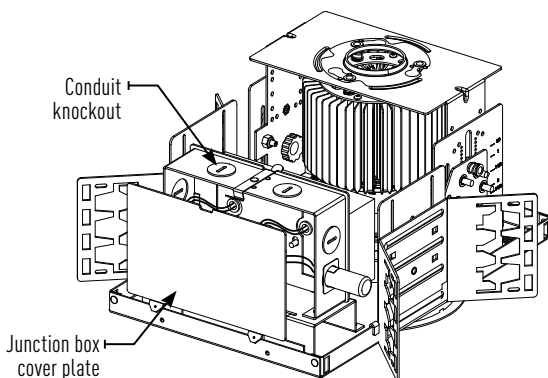
MOUNTING:

Bar hanger mounting brackets offer several height choices depending on installation requirements. C-Channel, EMT (supplied by others) and other joist bars can be ordered for various ceiling types.



2

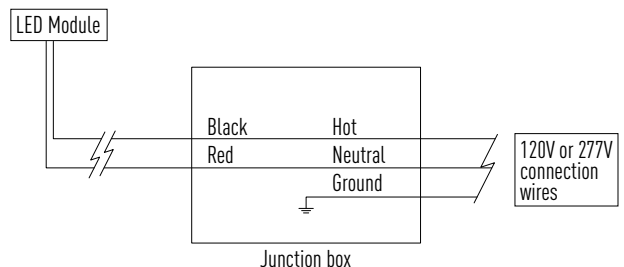
WIRING



3

ELECTRICAL CONNECTIONS:

1. Make electrical connections through desired knockout for conduit, MC and Romex® cable. Use only UL listed connectors (supplied by others).
2. Connect ground from fixture to green (GROUND) supply wire, white wire from fixture to white (NEUTRAL) supply wire and black wire from fixture to black (HOT) supply wire. Use UL listed connectors or wire nuts to make the connections (supplied by others). Connect dimming wires if applicable, see page 4.
3. Close and lock junction box door ensuring all wire connections and wires are contained within.

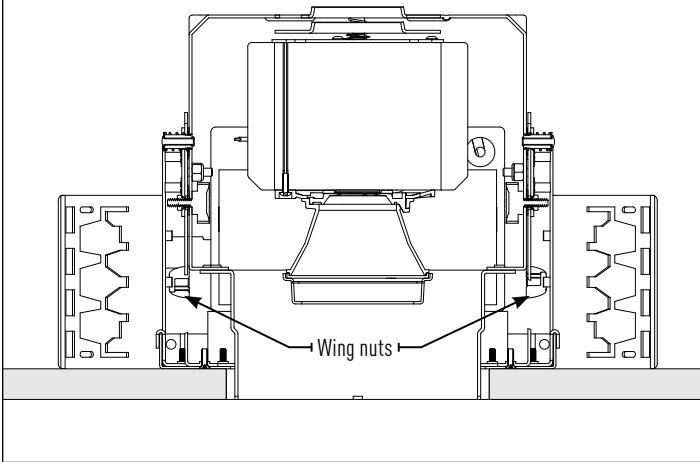


4

HOUSING HEIGHT ADJUSTMENT:

Loosen (2) wing nuts to make adjustments so that the housing frame is against the top of the ceiling. After housing adjustment, tighten wing nuts in place.

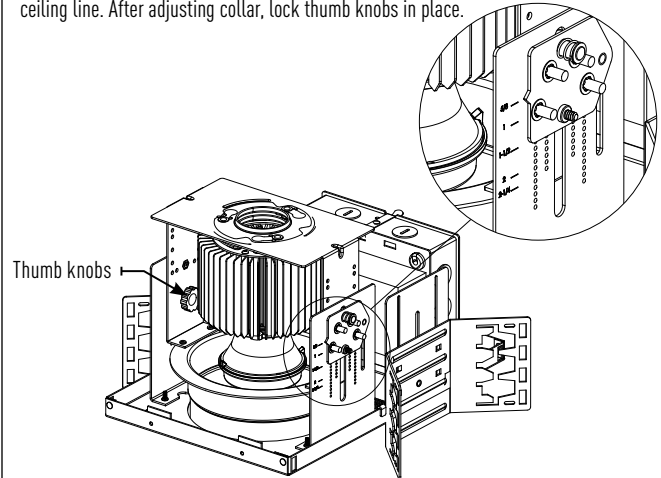
5



COLLAR HEIGHT ADJUSTMENT:

Loosen thumb knobs to make adjustments so that the housing collar is flush with the ceiling line. After adjusting collar, lock thumb knobs in place.

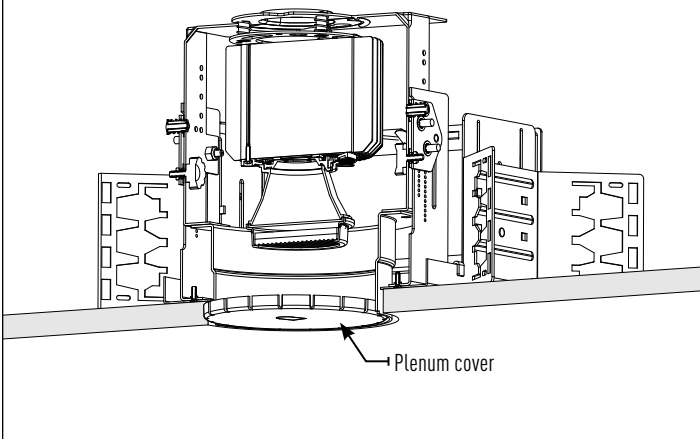
6



PAINT COVER:

Install paint cover to prevent damage to the fixture during painting.

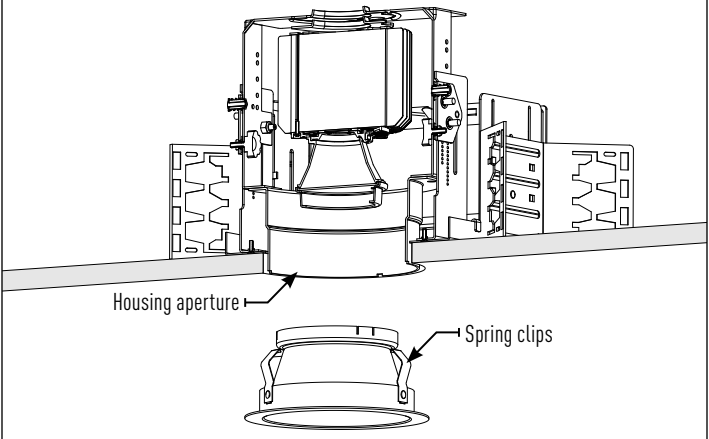
7



TRIM INSTALLATION:

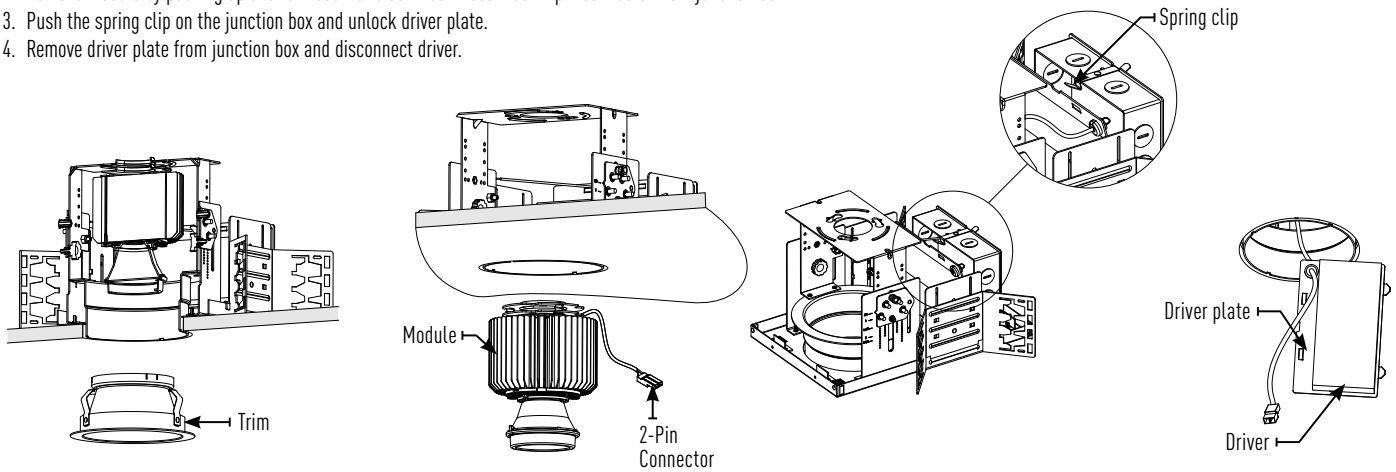
1. Push trim fully against housing to ensure the trim is flush to the ceiling.
2. Once all fixtures have been installed, power at the breaker can be restored

8



SERVICING:

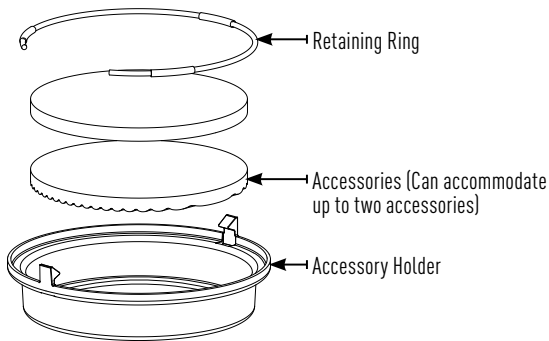
1. Remove trim from the housing.
2. Remove module by pushing up and turn counter clockwise. Disconnect 2-pin connector from junction box.
3. Push the spring clip on the junction box and unlock driver plate.
4. Remove driver plate from junction box and disconnect driver.



ACCESSORY HOLDER:

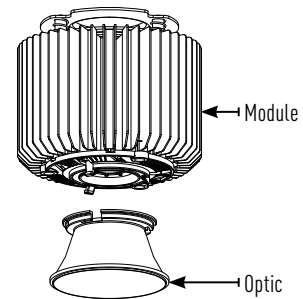
Note: Accessory holder can accommodate up to two accessories

1. Install accessories into accessory holder and replace accessory holder's retaining ring.
2. Push accessory holder against optic until accessory snaps onto optic.



OPTIC REPLACEMENT:

1. Remove trim from housing.
2. Release optic by turning counter clockwise
3. Replace optic and lock into place by turning clockwise



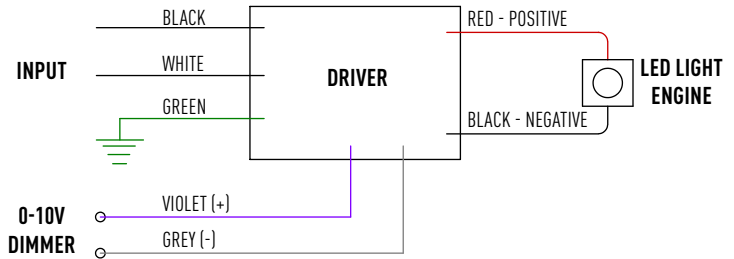
NOTE: Do not touch the exposed LED surface (yellow pad)

0-10V DIMMING (1% Dimming, eldoLED 1%, eldoLED 0.1%)

- 120V/277V
- Consult dimming manufacturer for installation instructions and power packs

COMPATIBLE DIMMERS

Manufacturer	Part Number(s)
HUNT	PS-010-IV-120V, PS-010-WH-120V, PS-010-3W-IV-120, PS-010-3W-WH-120V, PS-010-IV-277V, PS-010-WH-277V, PS-010-3W-IV-277V, PS-010-3W-WH-277V, FD-010: PS-IFC-010-IV, PS-IFC-010-WH-120/277V, FD-010: PS-IFC-010-3W-IV, PS-IFC-010-3W-WH-120/277V, FD-010-120V, FD-010-277V
Leviton	Leviton Centura Fluorescent Control System, IllumaTech™ IP7 Series, DPSPE-212
Lightolier	ZP600FAM120, MP1500FAM120, V2000FAMU
Lithonia	LEQ BC, LEQ LVBC, SLD LVBC, SQ1DC
Lutron	DVTV, NTFV
Synergy	ISD BC 120/277

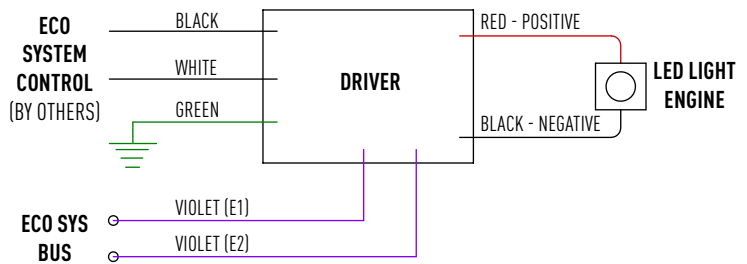


LUTRON ECOSYSTEM® DIMMING

- 120V or 277V
- Dims down to 1% or 5%
- Consult dimming manufacturer for installation instructions

COMPATIBLE DIMMERS

Product	Part Number(s)
EcoSystem	CS-1L-WM, CS-2L-WM, CS-1L-CM, CS-2L-CM, EcoSystem ESN, Grafik Eye QS with EcoSystem, Quantum

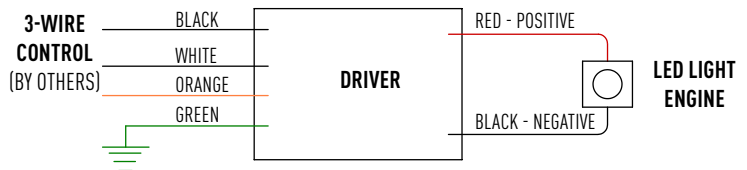


LUTRON HI-LUME® DIMMING

- 120V or 277V
- Dims down to 1%
- Consult dimming manufacturer for installation instructions

COMPATIBLE DIMMERS

Product	Part Number(s)
NovaT	NTF-10, NTF-103P, NTF-103P-277, NTF-10-277
Nova	NF-10, NF-103P, NF-103P-277, NF-10-277
Vareo	VF-10
Skylark	SF-10P, SF-12P-277, SF-12P-277-3, SF-103P
Diva	DVF-103, DVF-103P-277, DVSCF-103P, DVSCF-103P-277
Ariadni	AYF-103P, AYF-103P-277
Vierti	VTF-6AM
Maestro	MAF-6AM, MAF-6AM-277, MSCF-6AM, MCSF-6AM-277
Maestro Wireless	MRF2-F6AN-DV
Spacer System	SPSF-6A, SPSF-6A-277, SPSF-6AM, SPSF-6AM-277
Lyneo	LXF-103PL, LXF-103PL-277
Radio RA 2	RRD-F6AN-DV
HomeWorks QS	HQRD-F6AN-DV



ELV DIMMING

- 120V only
- Dims down to 1%
- Consult dimming manufacturer for installation instructions

COMPATIBLE DIMMERS

Product	Part Number(s)	GRAVITY MODULE DIMS DOWN TO				
		M1	M2	L1	L2	L3
Leviton	6633-2	1%	1%	1%	1%	1%
Leviton	IPI06-1LZ	1%	1%	1%	2%	2%
Leviton	6633-P	1%	1%	1%	3%	3%
Lutron	DVCL-153P	1%	1%	1%	4%	4%
Lutron	S600P	1%	1%	1%	4%	4%
Cooper	DLC03P	3%	3%	3%	4%	4%
Cooper	DAL06P	3%	3%	3%	1%	1%
Cooper	SLC03P	1%	1%	1%	2%	2%

