

⚠ WARNING
Risk of electrical shock. Disconnect power before servicing or installing luminaire.

⚠ WARNING
Risk of injury or damage. Luminaire will fail if not installed properly. Follow installation instructions.

⚠ WARNING
Risk of injury. Wear safety glasses and gloves during installation and servicing. Allow ample time to cool before handling.

IMPORTANT SAFETY INSTRUCTIONS

- Read all installation instructions before installing. It is important to save these instructions.
- **Only install and connect LED module with power disconnected at the circuit breaker. Hot plugging, or connecting the module with power on, could damage the LEDs and is not covered by warranty.**
- Observe and follow all label information and instructions regarding dry, damp and wet location listings, proper Intense LED module, warnings of installation near combustible materials and/or insulation.
- Turn off power at circuit breaker before attempting to install or perform maintenance on the fixtures.
- Be sure to connect ground wire to prevent electric shock or other potential hazards.
- The product must be installed in a manner consistent with the intended use and in compliance with the national electrical codes and local codes by a person familiar with the construction and operation of the product and the hazards involved.
- Do not block the trim aperture as this may cause unsafe operating conditions.
- **WARNING: RISK OF FIRE.** Non-IC fixture requires that insulation must be kept at least 3" away from all sides of the fixture. Minimum of 90°C supply conductors. Consult a qualified electrician before installation.

WARNING: Use only Intense Lighting trims listed for use with this fixture. Use of trims other than those listed by Intense Lighting is a violation of N.E.C 110-3(B) and voids all warranties.

CEILING CUT OUT:

1. Cut out 5 1/4" diameter ceiling hole for remodel housing.

Note: Remodel housings are Non-IC rated and insulation must be kept at a minimum of 3" away from fixture.

ELECTRICAL CONNECTIONS:

1. Remove junction box plate and make electrical connections through desired knockout for conduit or Romex® cable. Use only UL listed connectors.
2. Connect black wire from fixture to black (HOT) supply wire, white wire from fixture to white (NEUTRAL) supply wire and connect the ground from fixture to green (GROUND) supply wire. Use UL listed connectors or wire nuts to make the connections (provided by others). Connect dimming wires if applicable, see page 4.
3. Close and lock junction box door ensuring all wire connections and wire are contained within.

HOUSING INSTALLATION:

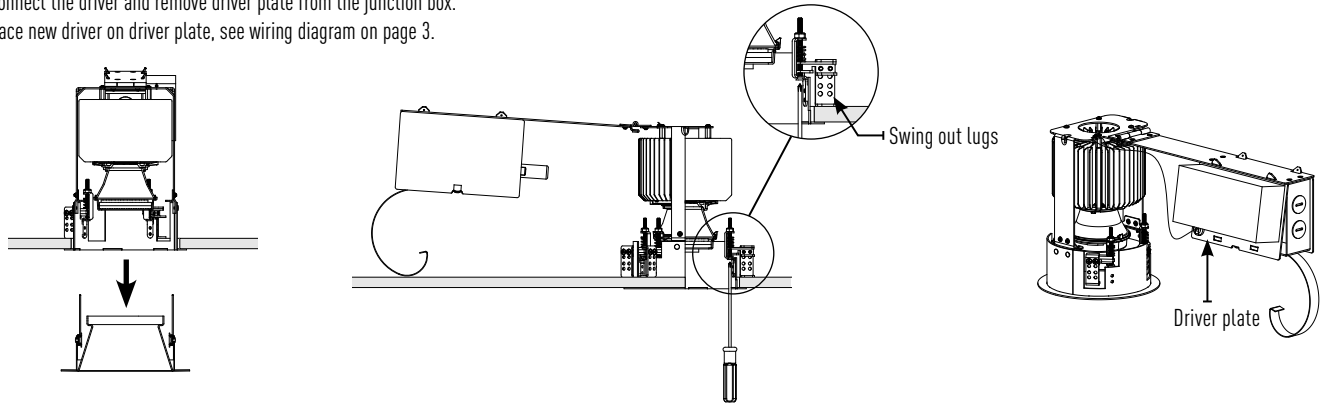
1. Lift junction box up at the hinge, so that the fixture is vertical.
2. Loosen all three swing out lugs to allow housing to go through ceiling opening.
3. Make sure housing collar is flush to ceiling and fasten all three swing out lugs.

TRIM INSTALLATION:

1. Squeeze the torsion springs on the trim and insert into the spring brackets inside the housing.
2. Push trim into housing ensuring the trim is flush to the ceiling.
3. Once all fixtures have been installed, power at the breaker can be restored.

MAINTENANCE:

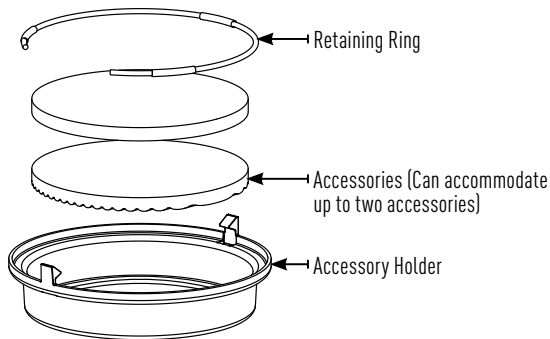
1. Remove the trim from the housing by pulling down the trim enough to expose the torsion springs. Squeeze the torsion springs to allow the trim to be released from the spring brackets.
2. Loosen all three swing out lugs and remove the housing from the ceiling.
3. Push up on the spring clip on the junction box to release the driver plate.
4. Disconnect the driver and remove driver plate from the junction box.
5. Replace new driver on driver plate, see wiring diagram on page 3.



ACCESSORY HOLDER:

Note: Accessory holder can accommodate up to two accessories

1. Install accessories into accessory holder and replace accessory holder's retaining ring.
2. Push accessory holder against optic until accessory snaps onto optic.



WIRING & DIMMING COMPATIBILITY

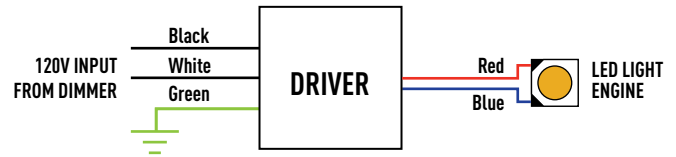
For use with all Intense Lighting product with supported dimming options.
Please check configuration of product for correct dimming protocol.

Phase Dimming or Lutron® LTEA2W Hi-Lume 2-Wire

- 120V Only
- Forward 1% / Reverse 5%

COMPATIBLE DIMMERS

| Product | Part Number(s) | Type |
|---------|----------------|---------|
| Leviton | IPE04 | Reverse |
| Leviton | IPI06-1LZ | Forward |
| Leviton | 6633-P | Forward |
| Lutron | DVELV300P | Reverse |
| Lutron | DVCL-153P | Forward |
| Lutron | S600P | Forward |
| Cooper | DLC03P | Forward |
| Cooper | DAL06P | Forward |

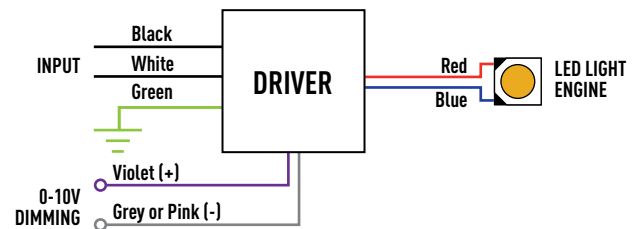


0-10V Dimming

- 120V or 277V
- Dims down to 1% or 0.1% light output
- Consult dimming manufacturer for installation instructions and power packs

COMPATIBLE DIMMERS

| Manufacturer | Part Number(s) |
|--------------|---|
| HUNT | PS-010-IV-120V, PS-010-WH-120V, PS-010-3W-IV-120, PS-010-3W-WH-120V, PS-010-IV-277V, PS-010-WH-277V, PS-010-3W-IV-277V, PS-010-3W-WH-277V, FD-010: PS-IFC-010-IV, PS-IFC-010-WH-120/277V, FD-010: PS-IFC-010-3W-IV, PS-IFC-010-3W-WH-120/277V, FD-010-120V, FD-010-277V |
| Leviton | Leviton Centura Fluorescent Control System, IlLumaTech™ IP7 Series, DPSPE-212 |
| Lightotier | ZP600FAM120, MP1500FAM120, V2000FAMU |
| Lithonia | LEQ BC, LEQ LVBC, SLD LVBC, SQ1DC |
| Lutron | DVTV, NTFTV |
| Synergy | ISD BC 120/277 |

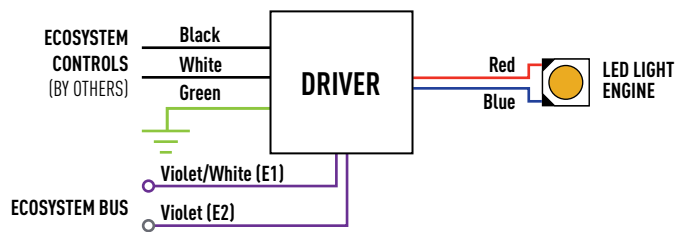


Lutron® LDE1 Hi-Lume EcoSystem

- 120V or 277V
- Dims down to 1%
- Consult dimming manufacturer for installation instructions

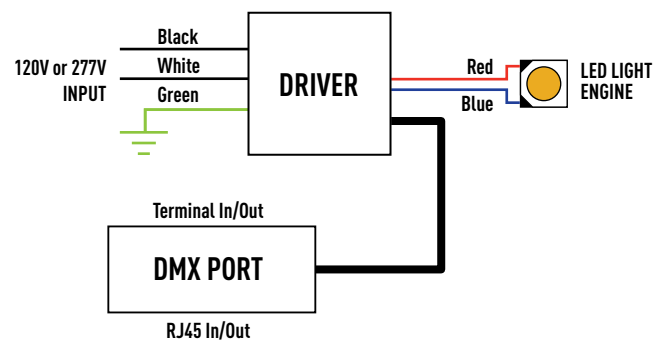
COMPATIBLE DIMMERS

| Product | Part Number(s) |
|-----------|--|
| EcoSystem | CS-1L-WM, CS-2L-WM, CS-1L-CM, CS-2L-CM, EcoSystem ESN, Grafik Eye QS with EcoSystem, Quantum |



DMX512 RDM (Downlights with RJ45)

- 120V or 277V
- Dims Down to 0.1% Light Output
- RDM Channel Programmable

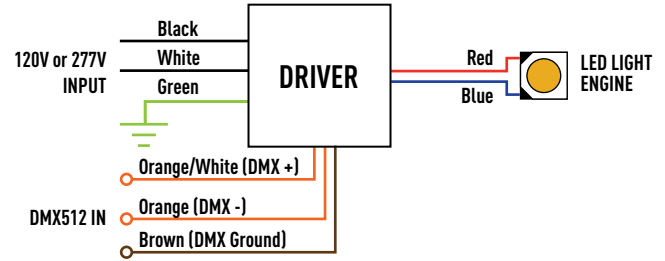


WIRING & DIMMING COMPATIBILITY

For use with all Intense Lighting product with supported dimming options.
Please check configuration of product for correct dimming protocol.

DMX512 RDM (Cylinders without RJ45)

- 120V or 277V
- Dims Down to 0.1% Light Output
- RDM Channel Programmable

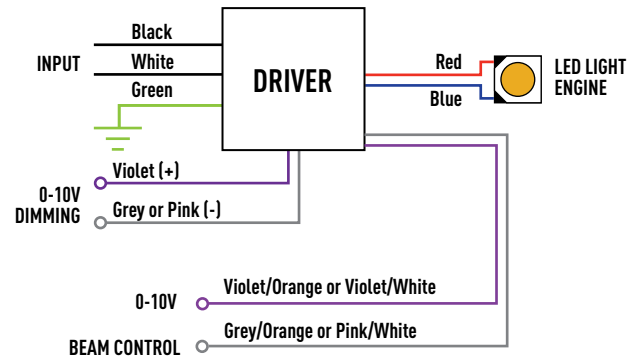


0-10V With Dynamic Beam

- 120V or 277V
- Dims down to 1% or 0.1% light output
- Consult dimming manufacturer for installation instructions and power packs

COMPATIBLE DIMMERS

| Manufacturer | Part Number(s) |
|--------------|---|
| HUNT | PS-010-IV-120V, PS-010-WH-120V, PS-010-3W-IV-120, PS-010-3W-WH-120V, PS-010-IV-277V, PS-010-WH-277V, PS-010-3W-IV-277V, PS-010-3W-WH-277V, FD-010: PS-IFC-010-IV, PS-IFC-010-WH-120/277V, FD-010: PS-IFC-010-3W-IV, PS-IFC-010-3W-WH-120/277V, FD-010-120V, FD-010-277V |
| Leviton | Leviton Centura Fluorescent Control System, IllumaTech™ IP7 Series, DPSPE-212 |
| Lightolier | ZP600FAM120, MP1500FAM120, V2000FAMU |
| Lithonia | LEQ BC, LEQ LVBC, SLD LVBC, SQ1DC |
| Lutron | DVTV, NTFTV |
| Synergy | ISD BC 120/277 |

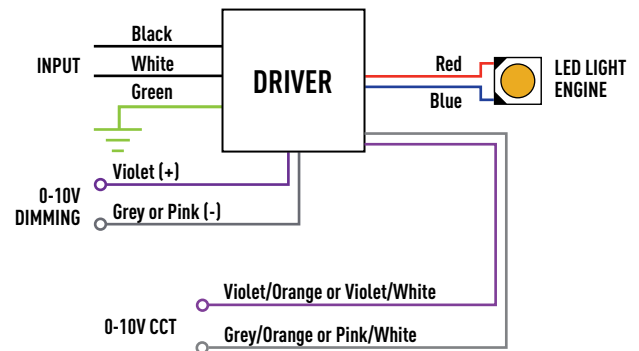


0-10V With Tunable White

- 120V or 277V
- Dims down to 1% or 0.1% light output
- Consult dimming manufacturer for installation instructions and power packs

COMPATIBLE DIMMERS

| Manufacturer | Part Number(s) |
|--------------|---|
| HUNT | PS-010-IV-120V, PS-010-WH-120V, PS-010-3W-IV-120, PS-010-3W-WH-120V, PS-010-IV-277V, PS-010-WH-277V, PS-010-3W-IV-277V, PS-010-3W-WH-277V, FD-010: PS-IFC-010-IV, PS-IFC-010-WH-120/277V, FD-010: PS-IFC-010-3W-IV, PS-IFC-010-3W-WH-120/277V, FD-010-120V, FD-010-277V |
| Leviton | Leviton Centura Fluorescent Control System, IllumaTech™ IP7 Series, DPSPE-212 |
| Lightolier | ZP600FAM120, MP1500FAM120, V2000FAMU |
| Lithonia | LEQ BC, LEQ LVBC, SLD LVBC, SQ1DC |
| Lutron | DVTV, NTFTV |
| Synergy | ISD BC 120/277 |



DALI With Tunable White

- 120V or 277V
- Dims down to 0.1%

