

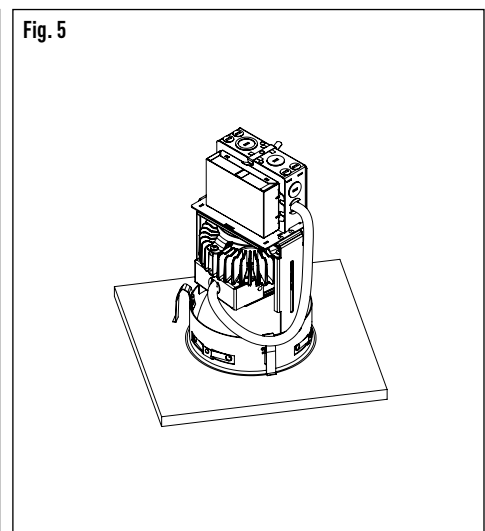
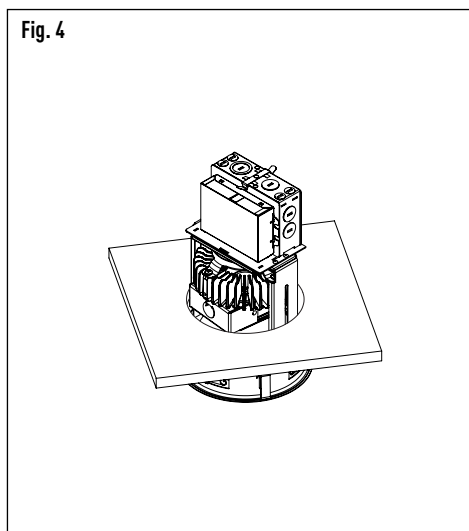
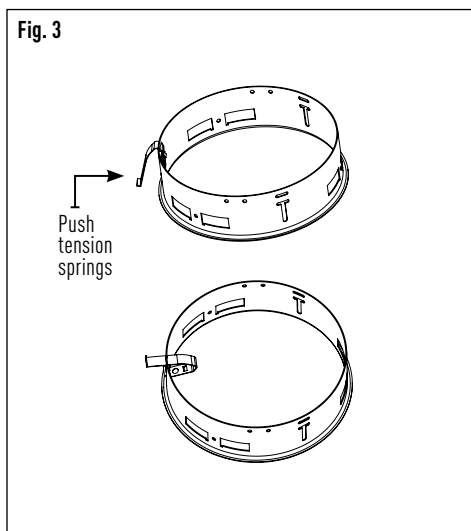
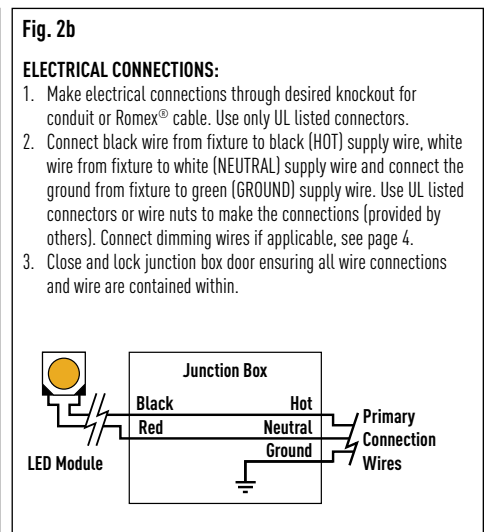
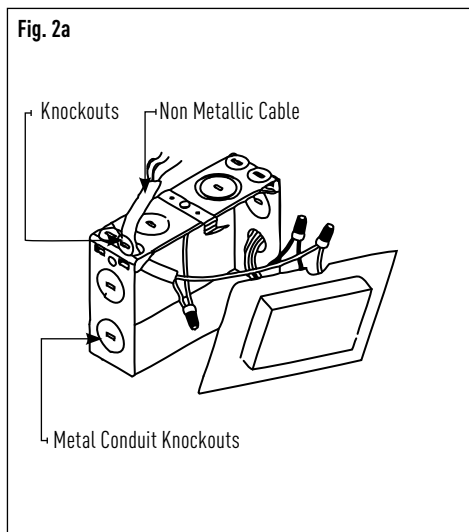
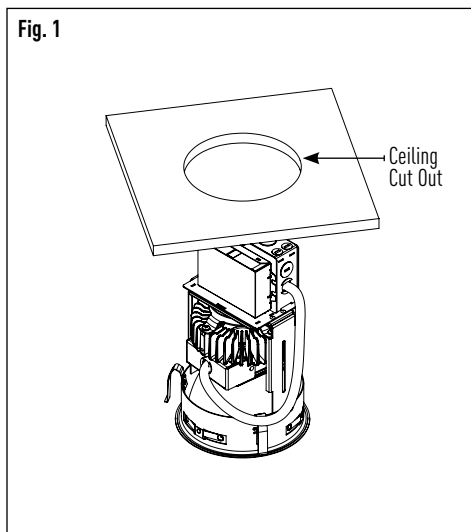
IMPORTANT SAFETY INSTRUCTIONS

- Read all installation instructions before installing. It is important to save these instructions.
- Observe and follow all label information and instructions regarding dry, damp and wet location listings, proper Intense LED module, warnings of installation near combustible materials and/or insulation.
- Turn off power at circuit breaker before attempting to install or perform maintenance on the fixtures.
- Be sure to connect ground wire to prevent electric shock or other potential hazards.
- The product must be installed in a manner consistent with the intended use and in compliance with the national electrical codes and local codes.
- Do not block the trim aperture as this may cause unsafe operating conditions.
- **WARNING: RISK OF FIRE.** Non-IC fixture requires that insulation must be kept at least 3" away from all sides of the fixture. Minimum of 90°C supply conductors. Consult a qualified electrician before installation.

WARNING: Use only Intense Lighting trims listed for use with this fixture. Use of trims other than those listed by Intense Lighting is a violation of N.E.C 110-3(B) and voids all warranties.

INSTALLATION INSTRUCTIONS

1. Cut appropriate ceiling cut out, 6 1/2" cut out for 6" fixtures and 8 1/8" cut out for 8" fixtures (Fig. 1).
2. Run your supply wire from the ceiling through the ceiling opening.
3. Remove junction box cover plate. Remove desired knockout, the junction box will accept metal conduit or non-metallic cable.
4. Connect black wire from fixture to black (**HOT**) supply wire, white wire from fixture to white (**NEUTRAL**) supply wire and connect the ground from fixture to green (**GROUND**) supply wire. Use UL listed connectors or wire nuts to make the connections (not included) (Fig. 2).
5. Make connections in junction box and replace cover plate.
6. Push tension springs up into housing and insert housing through ceiling cut out (Fig. 3).
7. Slowly insert housing until you get to the bottom of the housing. Using flat head screwdriver push tension springs to secure on the ceiling (Fig. 4).
8. Push reflector into housing ensuring the trim is flush to the ceiling (Fig. 5).
9. Once all fixtures have been installed, power at the breaker can be restored.

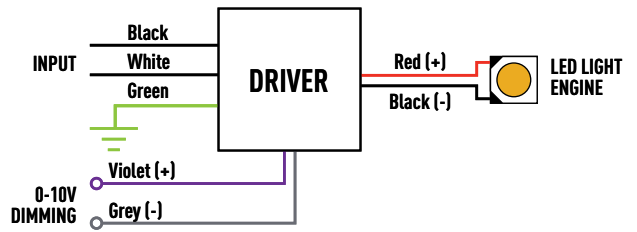


0-10V DIMMING

- 120V/277V
- Dims down to 1% or 0.1% light output
- Consult dimming manufacturer for installation instructions and power packs

COMPATIBLE DIMMERS

Manufacturer	Part Number(s)
HUNT	PS-010-IV-120V, PS-010-WH-120V, PS-010-3W-IV-120, PS-010-3W-WH-120V, PS-010-IV-277V, PS-010-WH-277V, PS-010-3W-IV-277V, PS-010-3W-WH-277V, FD-010: PS-IFC-010-IV, PS-IFC-010-WH-120/277V, FD-010: PS-IFC-010-3W-IV, PS-IFC-010-3W-WH-120/277V, FD-010-120V, FD-010-277V
Leviton	Leviton Centura Fluorescent Control System, IllumaTech™ IP7 Series, DPSPE-212
Lightolier	ZP600FAM120, MP1500FAM120, V2000FAMU
Lithonia	LEQ BC, LEQ LVBC, SLD LVBC, SQ1DC
Lutron	DVTV, NTFTV
Synergy	ISD BC 120/277

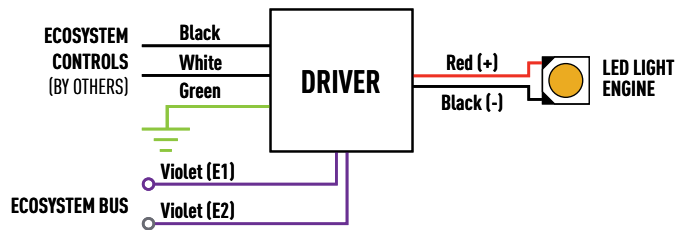


LUTRON ECOSYSTEM® DIMMING

- 120V or 277V
- Dims down to 1% or 5%
- Consult dimming manufacturer for installation instructions

COMPATIBLE DIMMERS

CS-1L-WM, CS-2L-WM, CS-1L-CM, CS-2L-CM, EcoSystem ESN, Grafik Eye QS with EcoSystem, Quantum



DMX512 RDM DIMMING

- 120V or 277V
- Dims down to 0.1% light output
- RDM channel programmable

