

# IHOL-4DR / IRD402

## 4" Gravity LED Lensed Downlight - Wet Location

JOB NAME		CATALOG NUMBER	
NOTES		TYPE	

### ELECTRICAL DATA

LED Light Engine	Delivered Lumens *	System Wattage **
M1	850lm @ 3000K / 82 CRI	12 Watts
M2	1700lm @ 3000K / 82 CRI	25 Watts
L1	2400lm @ 3000K / 82 CRI	35 Watts
L2	3150lm @ 3000K / 82 CRI	46 Watts
L3	4300lm @ 3000K / 82 CRI	63 Watts

\* Delivered lumens output will vary depending on CCT, CRI, optic and reflector finish.

\*\* System Wattage include driver and LED Module consumption.

### FEATURES

- High delivered lumens maintained in ceiling from 1/2" to 2 1/4" using patent pending design
- Future proof luminaire with easy module install via twist-to-lock mounting and driver access through raised junction box

### LED LIGHT ENGINE

- 12W, 25W, 35W, 46W and 63W
- 82 CRI & 2700K, 3000K, 3500K, 4000K
- 92 CRI available in 2700K & 3000K
- 3 Step MacAdam (3 SDCM)
- Rated life of >50,000 hours L70 based on LED testing per LM-80-08 and projected values using IESNA TM21-11

### ELECTRICAL SYSTEM (120V OR 277V)

- Power factor >.9, 50/60Hz
- Multiple dimming drivers available
- This product complies with IEEE C62.41 for surge endurance up to 2.5KV. Additional surge protection recommended. Damage from power surge is not covered by warranty.

### FRAME CONSTRUCTION

Constructed from 16 and 18 gauge heavy duty powder coated cold rolled steel frame with a large access junction box. ETL listed for through wiring. LED light engine and driver are accessible from above or below ceiling. Innovative collar is field selectable for ceiling thicknesses from 1/2" to 2 1/4" without reducing delivered lumens.

### OPTICS

- 14° Narrow Spot, 20° Spot, 30° Narrow Flood, 40° Flood and 50° Wide Flood
- Optics are field customizable

### REFLECTOR

Specification grade reflector with 1.5mm thickness. Reflector available in clear, haze, white, wheat or black finish. Consult factory for other colors. Regressed lens available in two lens types; Clear Tempered or Solite. Architectural, discrete polished self flange standard. Optional painted white flange is available. Meets RP-1 requirements with controlled light distribution at a 55° cut off.

### INSTALLATION

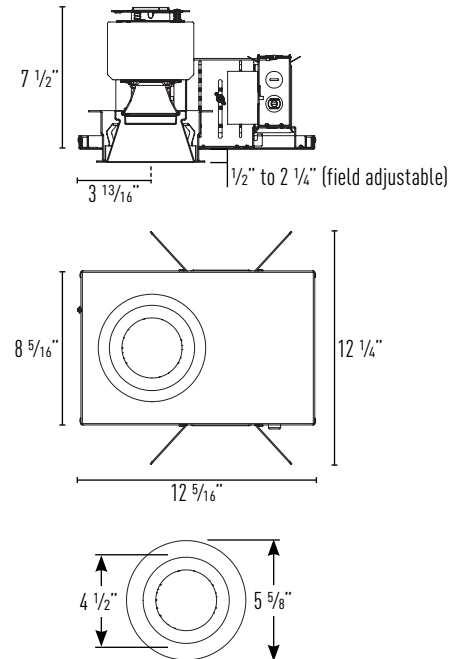
The luminaire is type Non-IC. Insulation must be kept at a minimum of 3" away from fixture. Accommodates ceiling thickness from 1/2" to 2 1/4". Universal mounting brackets included. Compatible with C-channel, flat bar, wood joist bar hanger and EMT. Bar hangers must be ordered separately. C-channel is recommended for T-bar ceilings. Max. ambient temperature: 131°F (55°C).

### EMERGENCY BACKUP

Remote test switch included. External battery operates LED load of up to 7W at a minimum of 400 lumens for 90 minutes (EM7), or 20W at a minimum of 1200 lumens for 90 minutes (EM20).

### LISTING / WARRANTY

- ETL Listed to US and Canadian standards for wet locations
- 5-Year Intense LED Limited Warranty



Ceiling Cut Out: 5 1/4"  
 Maximum Ceiling Thickness: 2 1/4"  
 Minimum Ceiling Thickness: 1/2"

Housing Part Number: (Example: IHOL-4DRL230-D101-40)

Housing	Wattage	CCT / CRI	Dimming	Voltage	Optic	Options
IHOL-4DR	M1 (12 Watts)	27 (2700K / 82 CRI)	blank (Non-Dimming)	blank (120V)	-14 <sup>5</sup> (14° Narrow Spot)	EM7 (7W Emergency Backup)
	M2 (25 Watts)	279 (2700K / 92 CRI)	-DELV <sup>1</sup> (ELV Dimming 1%)	27 (277V)	-20 (20° Spot)	IOTA part #ILB-CP07-A
	L1 (35 Watts)	30 (3000K / 82 CRI)	-D101 (0-10V Dimming 1%)		-30 (30° Narrow Flood)	EM20 (20W Emergency Backup)
	L2 (46 Watts)	309 (3000K / 92 CRI)	-ED10V1 <sup>2</sup> (eldoLED 0-10V 1%)		-40 (40° Flood)	Bodine part #BSL20LV
	L3 (64 Watts)	35 (3500K / 82 CRI)	-ED10V01 <sup>2</sup> (eldoLED 0-10V 0.1%)		-50 (50° Wide Flood)	I100 (C-Channel Bar Hangers)
		40 (4000K / 82 CRI)	-LUT <sup>3</sup> (Lutron® LDE1 EcoSystem 1%)			I200 (Flat Bar Hangers)
		-LUT2 <sup>1,3</sup> (Lutron® LTEA2W 2-Wire 1%)			I400 (Wood Joist Bar Hangers)	
		-DMXR <sup>3</sup> (DMX512 RDM 0.1%)				

Reflector Part Number: (Example: IRD402HZ-SF-CR)

Reflector	Reflector Finish	Trim	Lens Type
IRD402	B <sup>4</sup> (Black)	-SF (Self Flanged)	-CR (Clear Tempered)
	C (Clear)	-SFW (Self Flanged White)	-SL (Solite)
	HZ (Haze)		
	W (White)		
	WHT <sup>5</sup> (Wheat)		

### Notes:

- Available in 120V only
- eldoLED dimming available with M1, M2, L1 & L2
- Lutron® dimming available with M1, M2, L1 & L2
- DMX512 RDM not available with M1 & L3
- 14° Optic available in M1, M2, L1 & L2
- Consult factory for lead times

GRAVITY L/M0213-19 P-7

INTENSE LIGHTING | 3340 E La Palma Ave, Anaheim, CA 92806 | tel 714 630-9877 | fax 714 630-9883

For Intense Lighting's limited product warranty, go to [www.intenselighting.com](http://www.intenselighting.com). For a printed copy of the warranty, you may call 800 961-5321.

© 2019 Intense Lighting, LLC. All rights reserved. Note: This document is subject to change without notice.

JOB NAME		CATALOG NUMBER	
NOTES		TYPE	

## IHOL-4DRM130 / IRD402HZ-CR

Report #: ILL06212016-01.4 (-20)  
 ILL06212016-02.4 (-30)  
 ILL-07202016-03.4 (-40)  
 ILL-07202016-07.4 (-50)

### CCT / CRI Multipliers:

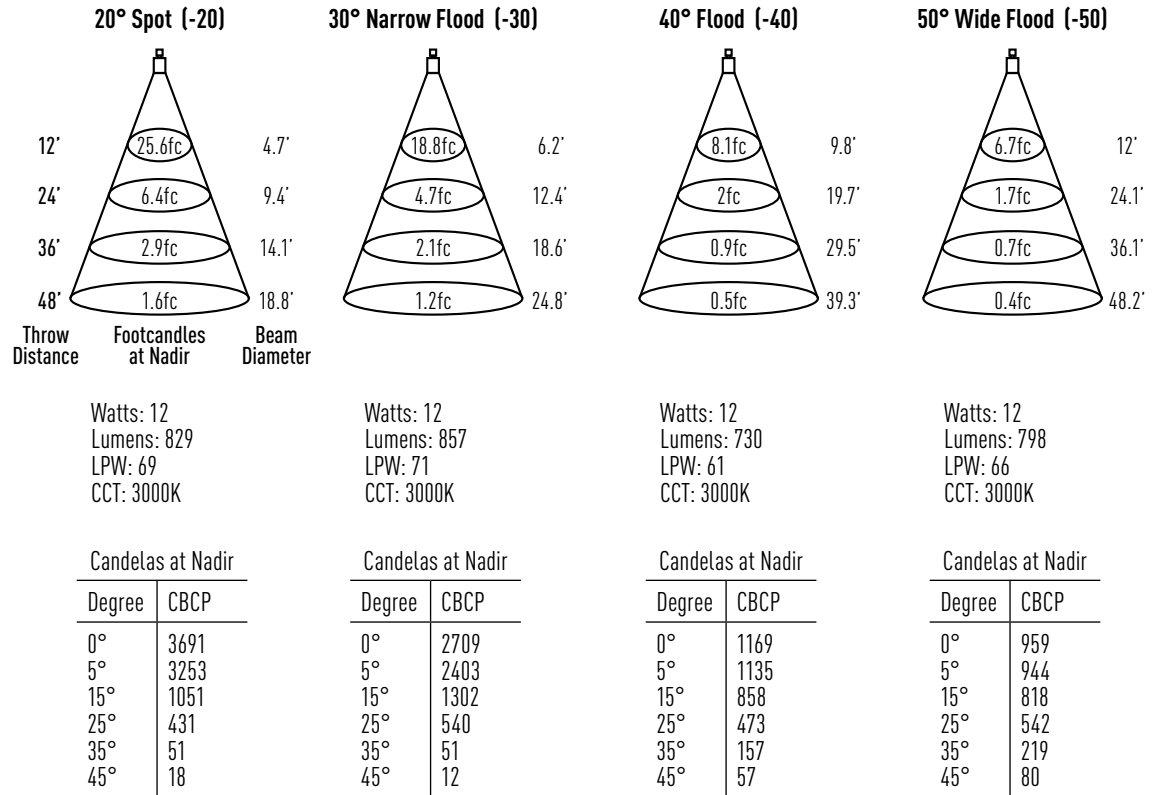
2700K / 82 CRI (x 0.93)  
 2700K / 92 CRI (x 0.74)  
 3000K / 82 CRI (x 1.00)  
 3000K / 92 CRI (x 0.79)  
 3500K / 82 CRI (x 1.03)  
 4000K / 82 CRI (x 1.04)

### Lens Multiplier:

Solite Lens (x 0.92)  
 Clear (x 1.00)

### Emergency Multipliers:

7W Emergency (x 0.57)  
 20W Emergency (x 1.66)



## IHOL-4DRM230 / IRD402HZ-CR

Report #: ILL06212016-01.3 (-20)  
 ILL06212016-02.3 (-30)  
 ILL-07202016-03.3 (-40)  
 ILL-07202016-07.3 (-50)

### CCT / CRI Multipliers:

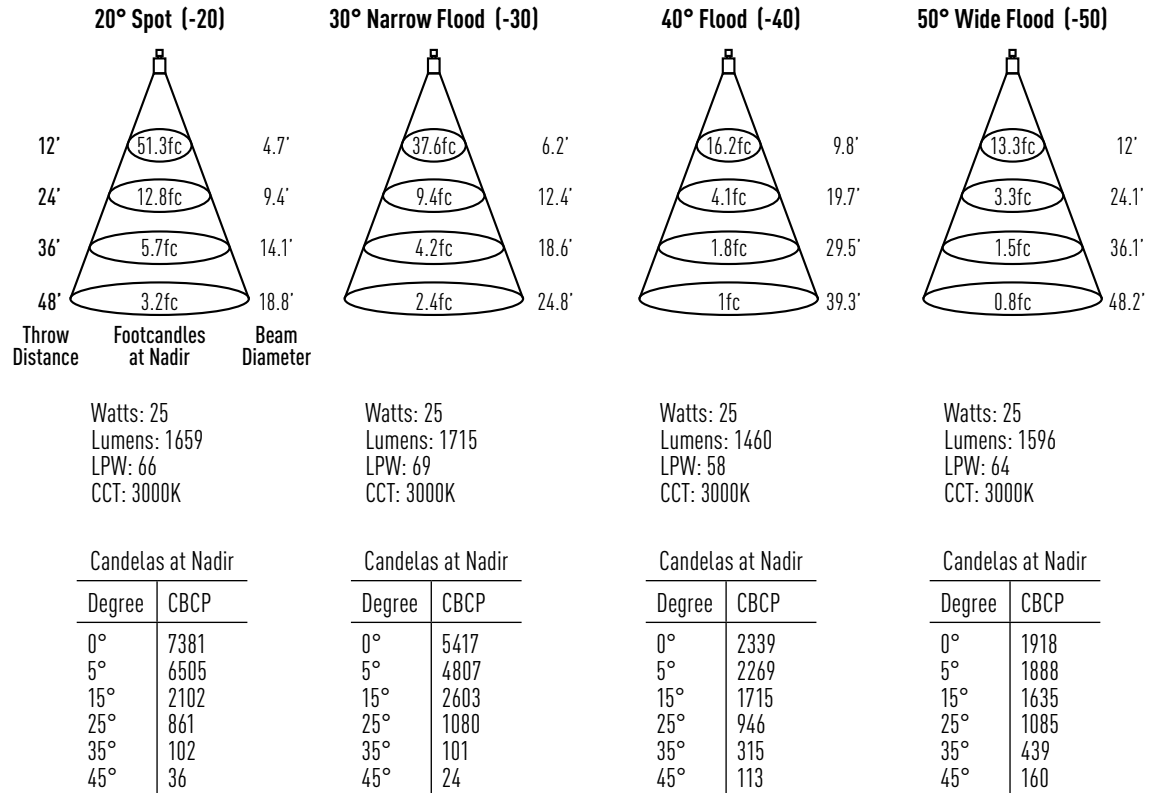
2700K / 82 CRI (x 0.93)  
 2700K / 92 CRI (x 0.74)  
 3000K / 82 CRI (x 1.00)  
 3000K / 92 CRI (x 0.79)  
 3500K / 82 CRI (x 1.03)  
 4000K / 82 CRI (x 1.04)

### Lens Multiplier:

Solite Lens (x 0.92)  
 Clear (x 1.00)

### Emergency Multipliers:

7W Emergency (x 0.28)  
 20W Emergency (x 0.83)



JOB NAME		CATALOG NUMBER	
NOTES		TYPE	

## IHOL-4DRL130 / IRD402HZ-CR

Report #: ILL06212016-01.2 (-20)  
 ILL06212016-02.2 (-30)  
 ILL-07202016-03.2 (-40)  
 ILL-07202016-07.2 (-50)

### CCT / CRI Multipliers:

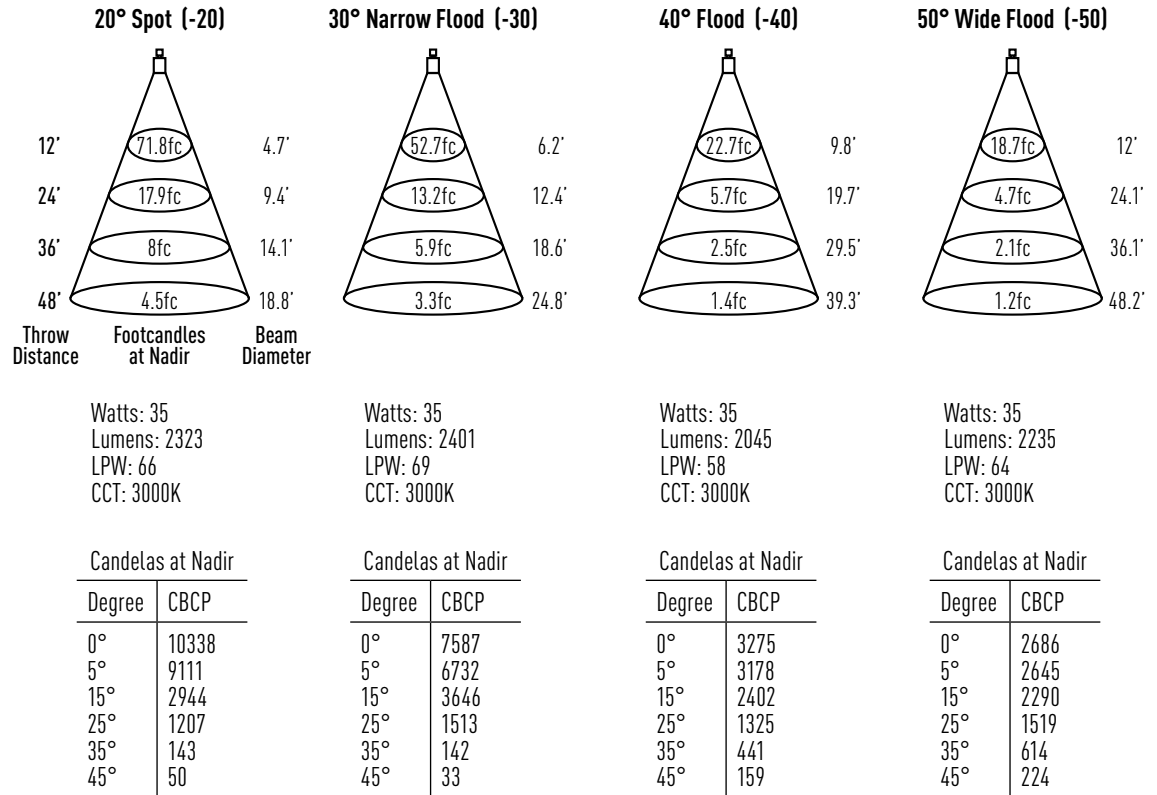
2700K / 82 CRI (x 0.93)  
 2700K / 92 CRI (x 0.74)  
 3000K / 82 CRI (x 1.00)  
 3000K / 92 CRI (x 0.79)  
 3500K / 82 CRI (x 1.03)  
 4000K / 82 CRI (x 1.04)

### Lens Multiplier:

Solite Lens (x 0.92)  
 Clear (x 1.00)

### Emergency Multipliers:

7W Emergency (x 0.20)  
 20W Emergency (x 0.59)



## IHOL-4DRL230 / IRD402HZ-CR

Report #: ILL06212016-01.1 (-20)  
 ILL06212016-02.1 (-30)  
 ILL-07202016-03.1 (-40)  
 ILL-07202016-07.1 (-50)

### CCT / CRI Multipliers:

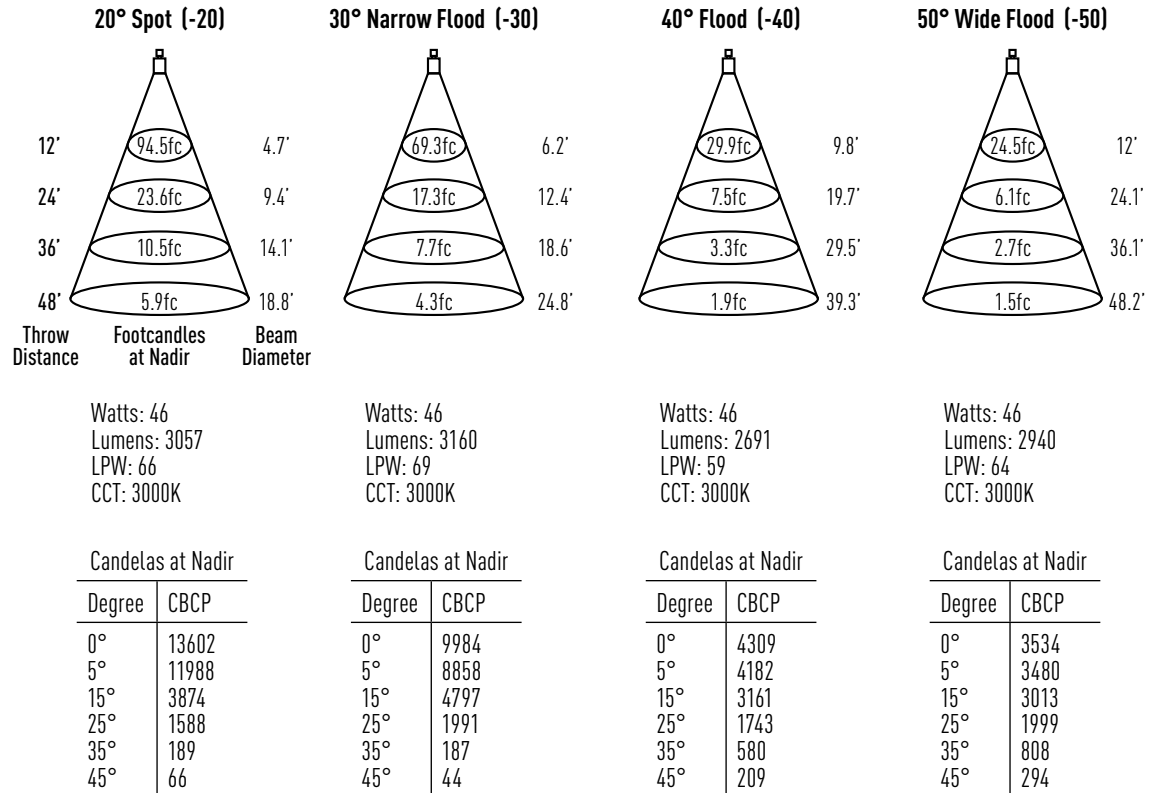
2700K / 82 CRI (x 0.93)  
 2700K / 92 CRI (x 0.74)  
 3000K / 82 CRI (x 1.00)  
 3000K / 92 CRI (x 0.79)  
 3500K / 82 CRI (x 1.03)  
 4000K / 82 CRI (x 1.04)

### Lens Multiplier:

Solite Lens (x 0.92)  
 Clear (x 1.00)

### Emergency Multipliers:

7W Emergency (x 0.15)  
 20W Emergency (x 0.45)



<b>JOB NAME</b>		<b>CATALOG NUMBER</b>	
<b>NOTES</b>		<b>TYPE</b>	

## IHOL-4DRL330 / IRD402HZ-CR

Report #: ILL06212016-01 (-20)  
 ILL06212016-02 (-30)  
 ILL-07202016-03 (-40)  
 ILL-07202016-07 (-50)

### CCT / CRI Multipliers:

2700K / 82 CRI (x 0.93)  
 2700K / 92 CRI (x 0.74)  
 3000K / 82 CRI (x 1.00)  
 3000K / 92 CRI (x 0.79)  
 3500K / 82 CRI (x 1.03)  
 4000K / 82 CRI (x 1.04)

### Lens Multiplier:

Solite Lens (x 0.92)  
 Clear (x 1.00)

### Emergency Multipliers:

7W Emergency (x 0.11)  
 20W Emergency (x 0.33)

