

LC4 / LD4D

4" LC Fire-Rated LED Downlight

JOB NAME		CATALOG NUMBER	
NOTES		TYPE	

ELECTRICAL DATA

LED Light Engine	System Wattage *	CCT / CRI	Nominal Delivered Lumens **	
			Round	Square
L2	8W	3000K / 90 CRI	650lm	550lm
L3	11W	3000K / 90 CRI	1000lm	900lm
L4	14W	3000K / 90 CRI	1250lm	1100lm

*System Wattage includes driver & LED Module consumption / **Delivered Lumen output will vary depending on CCT, CRI & finish

FEATURES

- J-Box housing design meets 2HR Fire Rating per UL514A
- Inherent airtight IC and CCEA rated for Chicago Plenum
- Concrete pour option available
- Single housing design accepts both round and square trims

LED LIGHT ENGINE

- 90 CRI in 2700K, 3000K, 3500K or 4000K
- 2 SDCM (2-Step MacAdam)
- 50,000 hours L70 (rated life at 70% output)

ELECTRICAL SYSTEM

- Universal 120V - 277V input
- This product complies with IEEE C62.41 for surge endurance up to 2.5KV
- Additional surge protection recommended
- Damage from power surge is not covered by warranty

HOUSING

- 16 gauge galvanized steel
- IC airtight and Chicago plenum rated. Also suitable for Non-IC applications
- Concrete pour option (includes mounting tabs)

DIMMING

- Phase and 0-10V dimming available via single driver
- Forward/reverse phase dimming (120V only)
- 0-10V 5% dimming
- [Dimming compatibility chart link](#)

- Powder coated aluminum die-cast trim
- Non Conductive trim made of heavy duty injection molded polymer
- Quick connect for easy installation
- High optical transparency diffusion lens provides enhanced visual comfort
- Wet location listed

INSTALLATION

- Junction box housing is standard type IC Air-Tight rated for direct contact with insulation
- Fixture includes adjustable bar hangers (14"-24") for wood joist or t-bar ceiling installations
- Accommodates ceilings with a 1/2" to 1-1/2" thickness
- Maximum ambient temperature 50°C (122°F)

LISTING

- Trim Assembly: ETL listed to US and Canadian standards for wet location
- Housing: ETL listed to UL 1598 standard
- ETL fire rate listed conforms to UL standard 263
- CCEA rated for Chicago Plenum installations
- STC:57/ IIC:50
- 5-Year Intense LED Limited Warranty
- Can be used to comply with 2016 Title 24, Part 6, JA8 high efficacy LED light source requirements



LD4DR



LD4DS

TRIM ASSEMBLY

For alternate dimming options see LC4F Downlight specification

Ceiling Cut Out: 4 5/16" octagonal. Maximum Ceiling Thickness: 1 1/2"

Frame-In Part Number (Example: LC4L2)

Frame-In	Wattage	Dimming	Options
LC4 (Fire-Rated, J-box housing)	L2 (8 Watts) L3 (11 Watts) L4 (14 Watts)	blank (120V-277V, 120V Phase ¹ , 0-10V)	P (Concrete Pour)

Trim Assembly Part Number (Example: LD4DR309SN-SFW)

Trim	CCT/CRI	Finish
LD4DR (4" Downlight Round)	279 (2700K/90 CRI)	W-SF (White / Self-Flanged)
LD4DS (4" Downlight Square)	309 (3000K/90 CRI)	B-SF (Black / Self-Flanged)
	359 (3500K/90 CRI)	SN-SFW (Satin Nickel / Self-Flanged White)
	409 (4000K/90 CRI)	NC-SF ² (White Non Conductive / Self-Flanged)

Note:

1. Phase Dimming, 120V only
2. Available in Round Only

SPECIFICATION SHEET L/M-091.21 P-17

INTENSE LIGHTING | 3340 E La Palma Ave, Anaheim, CA 92806 | tel 714 630-9877 | fax 714 630-9883

For Intense Lighting's limited product warranty, go to www.intenselighting.com. For a printed copy of the warranty, you may call 800 961-5321.

© 2021 Intense Lighting, LLC. All rights reserved. Note: This document is subject to change without notice.

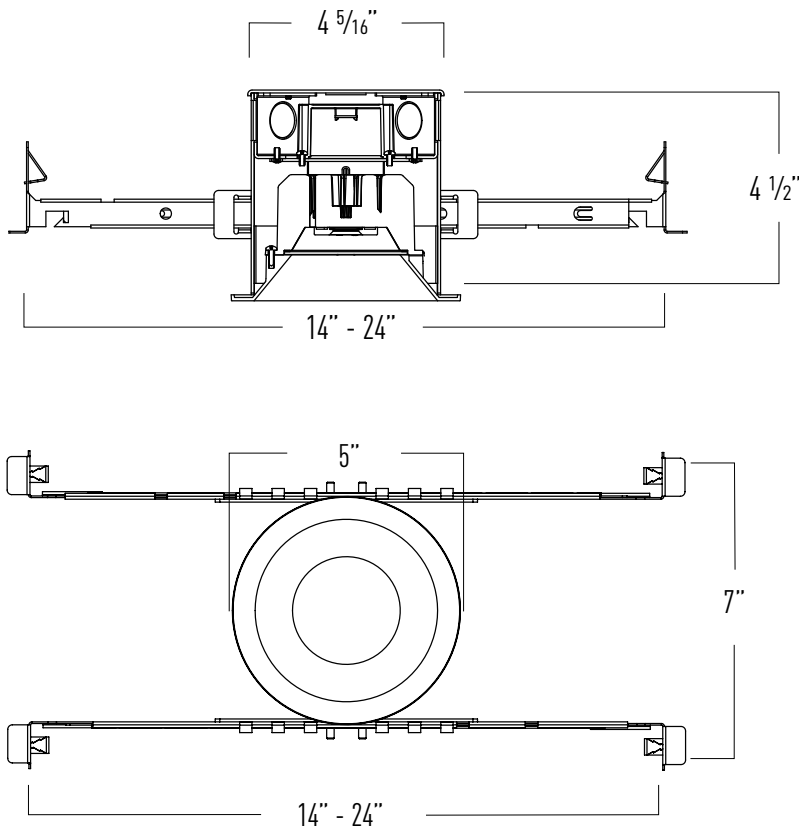
LC4 / LD4D

4" LC Fire-Rated LED Downlight

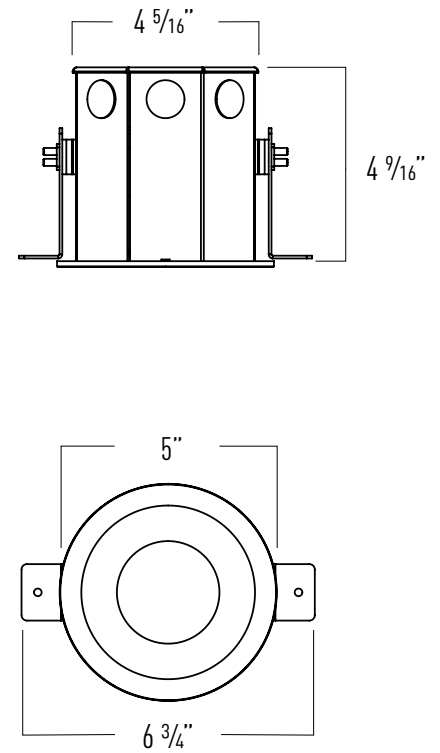
JOB NAME		CATALOG NUMBER	
NOTES		TYPE	

fundamentals™

Standard Housings

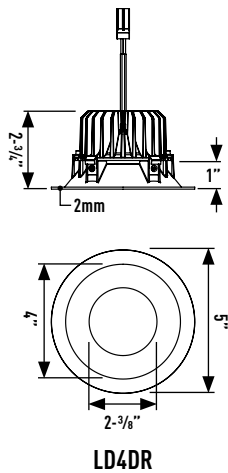


Concrete Pour Housings



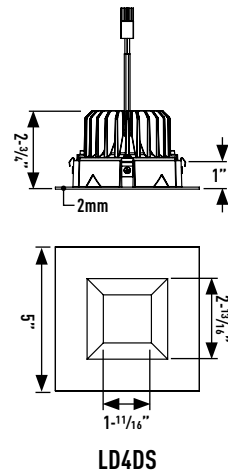
Downlight Trim

Round



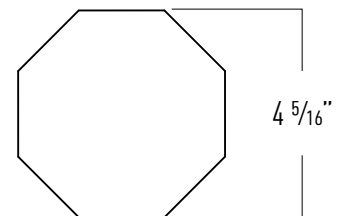
LD4DR

Square



LD4DS

Ceiling Cut Out



Ceiling Cut Out: 4 5/16" octagonal. Maximum Ceiling Thickness: 1 1/2"

LC4 / LD4D

4" LC Fire-Rated LED Downlight

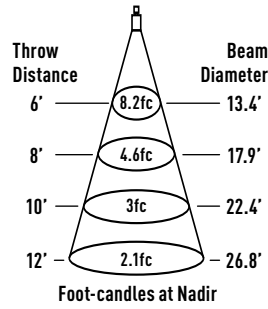
JOB NAME		CATALOG NUMBER	
NOTES		TYPE	

LC4L2 / LD4DR309-SFW

REPORT #: 20210311-1.102

TRIM FINISH MULTIPLIERS:

White (x 1.00)
 Black (x 0.85)
 Satin Nickel (x 0.91)



Watts: 8 LPW: 81.25
 Lumens: 650 CCT: 3000K

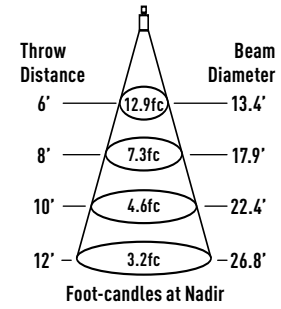
Intensity	
Degree	CBCP
0°	297
5°	296
15°	288
25°	254
35°	211
45°	166

LC4L3 / LD4DR309-SFW

REPORT #: 20210311-1.101

TRIM FINISH MULTIPLIERS:

White (x 1.00)
 Black (x 0.85)
 Satin Nickel (x 0.91)



Watts: 11 LPW: 90.9
 Lumens: 1000 CCT: 3000K

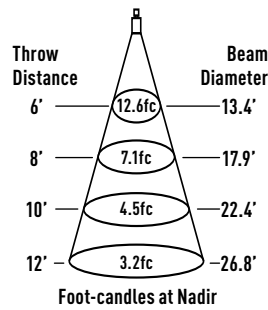
Intensity	
Degree	CBCP
0°	465
5°	464
15°	451
25°	398
35°	330
45°	261

LC4L4 / LD4DR309-SFW

REPORT #: 20210311-1.103

TRIM FINISH MULTIPLIERS:

White (x 1.00)
 Black (x 0.85)
 Satin Nickel (x 0.91)



Watts: 14 LPW: 89.3
 Lumens: 1250 CCT: 3000K

Intensity	
Degree	CBCP
0°	570
5°	570
15°	554
25°	489
35°	405
45°	320

LC4 / LD4D

4" LC Fire-Rated LED Downlight

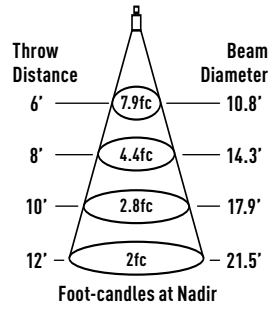
JOB NAME		CATALOG NUMBER	
NOTES		TYPE	

LC4L2 / LD4DS309-SFW

REPORT #: 20210311-4.102

TRIM FINISH MULTIPLIERS:

White (x 1.00)
 Black (x 0.77)
 Satin Nickel (x 0.88)



Watts: 8 LPW: 68.75
 Lumens: 550 CCT: 3000K

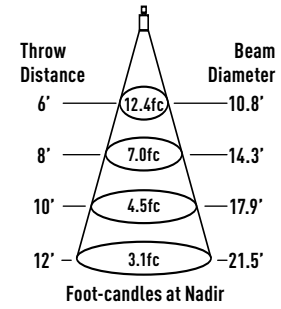
Intensity	
Degree	CBCP
0°	283
5°	285
15°	271
25°	241
35°	195
45°	105

LC4L3 / LD4DS309-SFW

REPORT #: 20210311-4.101

TRIM FINISH MULTIPLIERS:

White (x 1.00)
 Black (x 0.77)
 Satin Nickel (x 0.88)



Watts: 11 LPW: 81.81
 Lumens: 900 CCT: 3000K

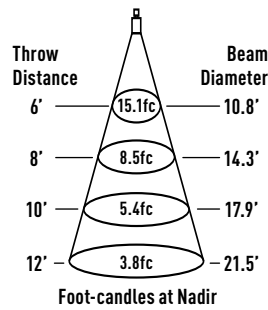
Intensity	
Degree	CBCP
0°	446
5°	449
15°	426
25°	380
35°	307
45°	166

LC4L4 / LD4DS309-SFW

REPORT #: 20210311-4.103

TRIM FINISH MULTIPLIERS:

White (x 1.00)
 Black (x 0.77)
 Satin Nickel (x 0.88)



Watts: 14 LPW: 78.57
 Lumens: 1100 CCT: 3000K

Intensity	
Degree	CBCP
0°	545
5°	548
15°	521
25°	464
35°	375
45°	203