

MXFG2DSTR

3.5" MX G2 Naked LED Square Lensed Downlight

JOB NAME		CATALOG NUMBER	
NOTES		TYPE	

ELECTRICAL DATA

LED Light Engine	System Wattage *	CCT / CRI	Delivered Lumens **	Lumens Per Watt
L0	11W	3000K / 82 CRI	700lm	70
L1	16W	3000K / 82 CRI	1000lm	63
L2	22W	3000K / 82 CRI	1150lm	58
L3	27W	3000K / 82 CRI	1700lm	65

*System Wattage include driver and LED Module consumption. **Delivered lumens will vary depending on trim, CCT, CRI, optic and ceiling thickness

FEATURES

- High center beam spot up to 24,500 CBCP
- Available optics: 12°, 24°, 36° or 50°

LED LIGHT ENGINE

- 92 CRI & 82 CRI in 2700K, 3000K, 3500K or 4100K with 2SDCM binning
- >50,000 hours L70 (rated life at 70% output)

ELECTRICAL SYSTEM

- Dedicated voltage options of 120V or 277V. Must be specified in catalog code.
- This product complies with IEEE C62.41 for surge endurance up to 2.5KV
- Additional surge protection recommended, damage from power surge is not covered by warranty

DIMMING

- 0-10V Dimming 1%
- Forward/reverse dimming 1% (120V only)
- EldoLED 0-10V 0.1% or 1%
- Lutron® LDE1 Hi-Lume 1% EcoSystem LED driver with Soft-on, Fade-to-Black dimming technology
- Lutron® LTEA2W Hi-Lume 1% 2-Wire LED driver (120V forward phase only)
- DMX512 RDM 0.1%

HOUSING

- Heavy duty galvanized 18 gauge steel frame
- Standard plaster frame accommodates 1/2" to 1-1/4" ceiling thickness
- Extended collar options available for ceilings up to 1-1/4" to 2-1/2" thick

TRIM SPECIFICATION

- A380 aluminum die-cast trims
- Durable powder coat available in multiple finishes
- Clear tempered glass standard, must specify solite
- Discrete self flange painted

INSTALLATION

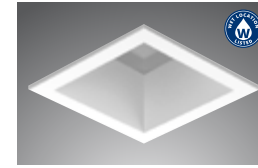
- Non-IC rated housings must be kept at a minimum of 3" away from insulation
- Fixture includes adjustable bar hangers (14"-24") for wood joist or t-bar ceiling installations
- Bar hangers can be installed in either direction
- Maximum ambient temperature: 95°F (35°C)

EMERGENCY BACKUP

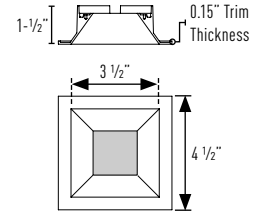
- Remote test switch included
- External battery operates LED load at a minimum of 350lm to 600lm for 90 minutes, depending on backup wattage
- Servicing requires above ceiling access

LISTING / WARRANTY

- 5-Year Intense LED Limited Warranty
- ETL listed to US and Canadian standards for wet locations



MXTFG2-STRD302
(1-1/2" Regress with Lens)



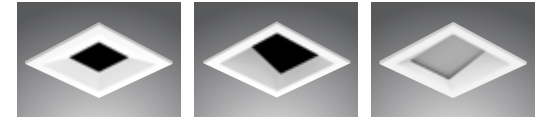
Available Trim Finishes



Housing dimensions are on Page 2

Related Products

For adjustable, wall wash and other trim options see standard MX Downlight Products



Please see [MXG2DSTR](#)
For more downlight trim options

Please see [MXG2ASTR](#)
For adjustable alternative

Please see [MXG2WSTR](#)
For wall alternative

Housing Part Number (Example: MXFG2DSTR-NCL2DELV)

Housing	Installation Type	Ceiling Thickness	Wattage	Dimming	Voltage	Options
MXFG2DSTR	-NC (Non-IC)	blank (1/2" to 1-1/4") EC2 (1-1/4" to 2-1/2")	L0 (11W)	blank (Non-Dimming)	blank (120V) 27 (277V)	EM7 ⁴ (7W Emergency Backup IOTA Part #ILB-CP07-A) EM12 ^{4,5} (12W Emergency Backup IOTA Part #ILB-CP12-A)
			L1 (16W)	DELV ¹ (Phase Dimming)		
			L2 (22W)	D101 (0-10V Dimming 1%)		
			L3 (27W)	ED10V1 ² (eldoLED 0-10V 1%) ED10V01 ² (eldoLED 0-10V 0.1%) LUT ³ (Lutron® LDE1 EcoSystem 1%) LUT2 ¹ (Lutron® LTEA2W 2-Wire 1%)		

Trim Part Number (Example: MXTFG2-STRD302W-SFL03024-CR)

Trim	Trim Finish	Trim Type	Wattage	CCT / CRI	Optic	Lens
MXTFG2-STRD302 (1-1/2" Regress)	W (White)	-SF (Self Flanged)	L0 (11W)	27 (2700K / 82 CRI)	12 (12° SP)	-CR (Clear Tempered Glass) -SL (Solite)
	B ⁶ (Black)		L1 (16W)	279 (2700K / 92 CRI)	24 (24° NFL)	
	SN ⁶ (Satin Nickel)		L2 (22W)	30 (3000K / 82 CRI)	36 (36° FL)	
			L3 (27W)	309 (3000K / 92 CRI)	50 (50° WFL)	
				35 (3500K / 82 CRI)		
				359 (3500K / 92 CRI)		
				41 (4100K / 82 CRI)		
				419 (4100K / 92 CRI)		

Notes:

- Available in 120V only
- Not Available in L3
- Not available with L2 & L3
- Access above ceiling required
- Not available in L0
- Consult factory for lead times

SPECIFICATION SHEET | M-040822 P-13

INTENSE LIGHTING | 3340 E La Palma Ave, Anaheim, CA 92806 | tel 714 630-9877 | fax 714 630-9883

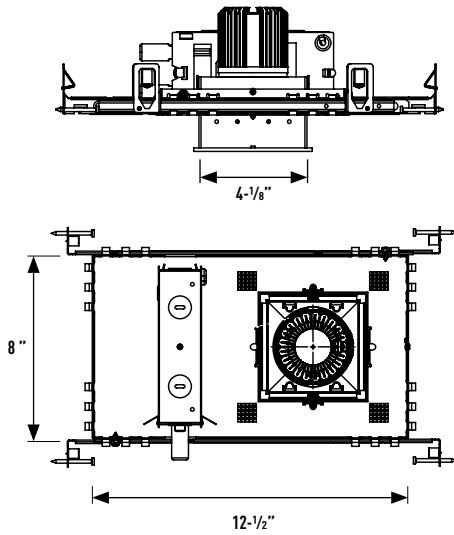
For Intense Lighting's limited product warranty, go to www.intenselighting.com. For a printed copy of the warranty, you may call 800 961-5321.

© 2022 Intense Lighting, LLC. All rights reserved. Note: This document is subject to change without notice.

MXFG2DSTR

3.5" MX G2 Naked LED Square Lensed Downlight

HOUSING DIMENSIONS

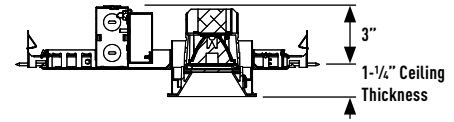
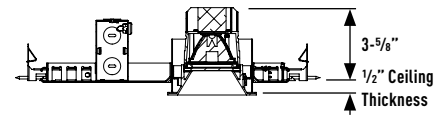


Adjustable Collar Height

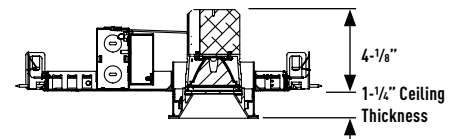
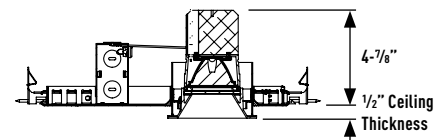
Collar Type	Standard	EC2
Max Ceiling Thickness	1/2" to 1-1/4"	1-1/4" to 2-1/2"

JOB NAME	CATALOG NUMBER
NOTES	TYPE

L0-L1 Lumen Package



L2-L3 Lumen Package



JOB NAME		CATALOG NUMBER	
NOTES		TYPE	

MXTFG2-STRD-302WLO-CR

Report #: ILL-02102016-10.3 (12)
 ILL-02102016-09.3 (24)
 ILL-02182016-03.3 (36)
 ILL-02122016-05.3 (50)

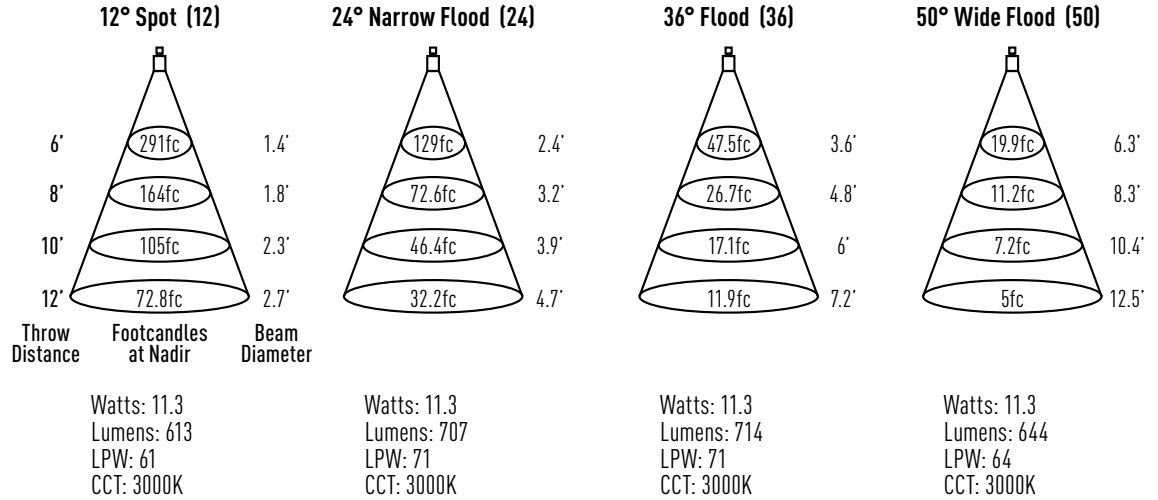
CCT MULTIPLIERS:

	82 CRI	92 CRI
2700K	(x 0.93)	(x 0.76)
3000K	(x 1.00)	(x 0.87)
3500K	(x 1.00)	(x 0.87)
4100K	(x 1.00)	(x 0.87)

LENS MULTIPLIERS:

Solite	(x 0.92)
Clear	(x 1.00)

EMERGENCY MULTIPLIER:
 7W Emergency (x 0.70)



Candelas at Nadir

Degree	CBCP
0°	10487
5°	5786
15°	386
25°	85
35°	31
45°	5

Candelas at Nadir

Degree	CBCP
0°	4643
5°	3846
15°	1041
25°	131
35°	18
45°	3

Candelas at Nadir

Degree	CBCP
0°	1712
5°	1740
15°	1212
25°	435
35°	79
45°	7

Candelas at Nadir

Degree	CBCP
0°	718
5°	716
15°	669
25°	427
35°	178
45°	50

MXTFG2-STRD-302WL1-CR

Report #: ILL-02102016-10.2 (12)
 ILL-02102016-09.2 (24)
 ILL-02182016-03.2 (36)
 ILL-02122016-05.2 (50)

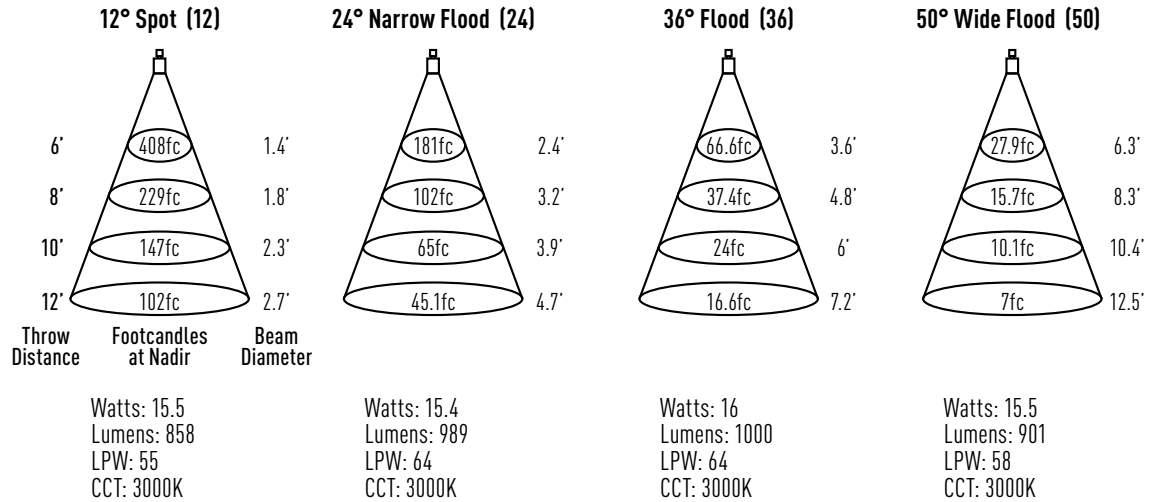
CCT MULTIPLIERS:

	82 CRI	92 CRI
2700K	(x 0.93)	(x 0.76)
3000K	(x 1.00)	(x 0.87)
3500K	(x 1.00)	(x 0.87)
4100K	(x 1.00)	(x 0.87)

LENS MULTIPLIERS:

Solite	(x 0.92)
Clear	(x 1.00)

EMERGENCY MULTIPLIER:
 7W Emergency (x 0.50)
 12W Emergency (x 0.85)



Candelas at Nadir

Degree	CBCP
0°	14682
5°	8100
15°	540
25°	119
35°	44
45°	7

Candelas at Nadir

Degree	CBCP
0°	6501
5°	5384
15°	1457
25°	183
35°	25
45°	4

Candelas at Nadir

Degree	CBCP
0°	2396
5°	2436
15°	1697
25°	609
35°	110
45°	9

Candelas at Nadir

Degree	CBCP
0°	1005
5°	1002
15°	936
25°	598
35°	249
45°	70

JOB NAME		CATALOG NUMBER	
NOTES		TYPE	

MXTFG2-STRD-302WL2-CR

Report #: ILL-02102016-10.1 (12)
ILL-02102016-09.1 (24)
ILL-02182016-03.1 (36)
ILL-02122016-05.1 (50)

CCT MULTIPLIERS:

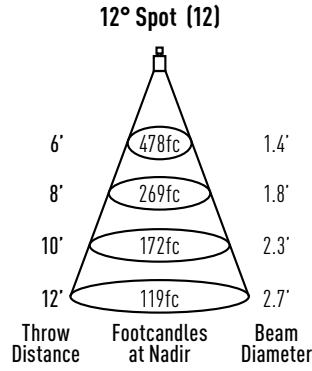
	82 CRI	92 CRI
2700K	(x 0.93)	(x 0.76)
3000K	(x 1.00)	(x 0.87)
3500K	(x 1.00)	(x 0.87)
4100K	(x 1.00)	(x 0.87)

LENS MULTIPLIERS:

Solite	(x 0.92)
Clear	(x 1.00)

EMERGENCY MULTIPLIER:

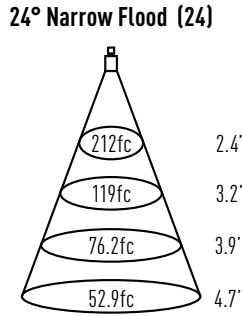
7W Emergency	(x 0.40)
12W Emergency	(x 0.68)



Watts: 20.5
Lumens: 1005
LPW: 49
CCT: 3000K

Candelas at Nadir

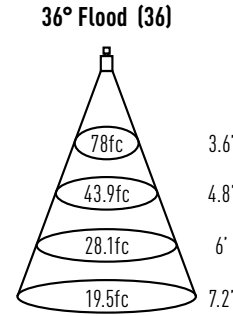
Degree	CBCP
0°	17199
5°	9489
15°	632
25°	140
35°	51
45°	8



Watts: 20.5
Lumens: 1159
LPW: 57
CCT: 3000K

Candelas at Nadir

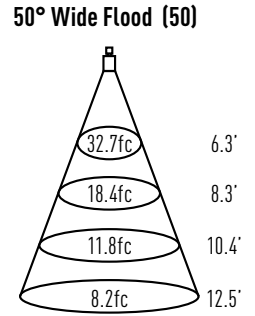
Degree	CBCP
0°	7615
5°	6307
15°	1706
25°	214
35°	30
45°	5



Watts: 21.5
Lumens: 1172
LPW: 57
CCT: 3000K

Candelas at Nadir

Degree	CBCP
0°	2807
5°	2854
15°	1988
25°	714
35°	129
45°	11



Watts: 21.5
Lumens: 1056
LPW: 52
CCT: 3000K

Candelas at Nadir

Degree	CBCP
0°	1178
5°	1174
15°	1097
25°	701
35°	292
45°	82

MXTFG2-STRD-302WL3-CR

Report #: ILL-02102016-10.2 (12)
ILL-02102016-09.2 (24)
ILL-02182016-03.2 (36)
ILL-02122016-05.2 (50)

CCT MULTIPLIERS:

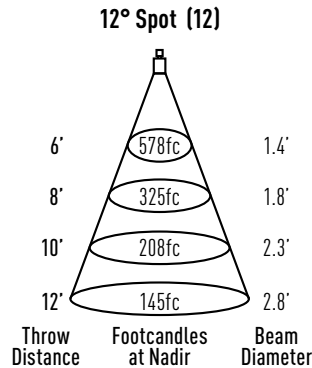
	82 CRI	92 CRI
2700K	(x 0.93)	(x 0.76)
3000K	(x 1.00)	(x 0.87)
3500K	(x 1.00)	(x 0.87)
4100K	(x 1.00)	(x 0.87)

LENS MULTIPLIERS:

Solite	(x 0.92)
Clear	(x 1.00)

EMERGENCY MULTIPLIER:

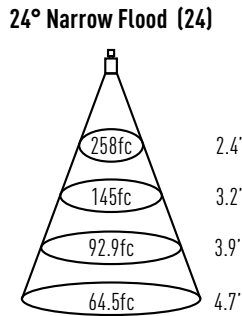
7W Emergency	(x 0.50)
12W Emergency	(x 0.85)



Watts: 26.2
Lumens: 1226
LPW: 47
CCT: 3000K

Candelas at Nadir

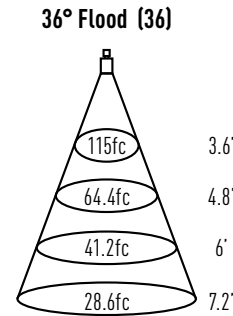
Degree	CBCP
0°	20818
5°	11572
15°	771
25°	170
35°	62
45°	9



Watts: 27.2
Lumens: 1413
LPW: 54
CCT: 3000K

Candelas at Nadir

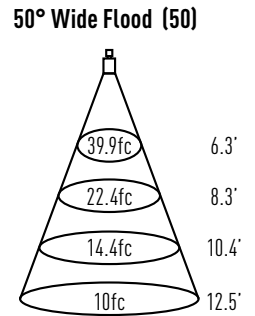
Degree	CBCP
0°	9287
5°	7692
15°	2081
25°	261
35°	36
45°	6



Watts: 26.1
Lumens: 1722
LPW: 66
CCT: 3000K

Candelas at Nadir

Degree	CBCP
0°	4124
5°	4193
15°	2921
25°	1049
35°	189
45°	16



Watts: 26.1
Lumens: 1288
LPW: 49
CCT: 3000K

Candelas at Nadir

Degree	CBCP
0°	1436
5°	1432
15°	1337
25°	855
35°	356
45°	99