

MXG2DRTL

3.5" MX G2 LED Trimless Pinhole

ELECTRICAL DATA

| L0 | 10W | 3000K / 82 CRI | 850lm | 85 |
|----|-----|----------------|--------|----|
| L1 | 16W | 3000K / 82 CRI | 1200lm | 75 |
| L2 | 20W | 3000K / 82 CRI | 1450lm | 73 |
| L3 | 26W | 3000K / 82 CRI | 1600lm | 62 |

*System Wattage include driver and LED Module consumption. **Delivered lumens will vary depending on trim, CCT, CRI, optic and ceiling thickness

FEATURES

- Multiple architectural trim options
- High center beam spot up to 22,700 CBCP
- Dedicated 9° with field changeable 12°, 24°, 36° & 50° optics

LED LIGHT ENGINE

- 92 CRI & 82 CRI in 2700K, 3000K, 3500K or 4100K with 2SDCM binning
- >50,000 hours L70 (rated life at 70% output)

ELECTRICAL SYSTEM

- (Non-IC) Dedicated voltage options of 120V or 277V. Must be specified in catalog code.
- (-IC/-CP) Universal 120V/277V input
- This product complies with IEEE C62.41 for surge endurance up to 2.5KV. Additional surge protection recommended. Damage from power surge is not covered by warranty.

DIMMING

- 0-10V Dimming 1%
- Forward/reverse dimming 1% (120V only)
- EldoLED 0-10V 0.1% or 1%
- Lutron® LDE1 Hi-Lume 1% EcoSystem LED driver with Soft-on, Fade-to-Black dimming technology
- DMX512 RDM 0.1%

HOUSING

- Heavy duty black powder coated 18 gauge steel frame
- Standard housing accommodates 5/8" ceiling thickness
- Extended collar options available for ceilings up to 1" or 2" thick, must specify either EC1 or EC2 (EC1/EC2 Not available with Chicago Plenum)

INSTALLATION

Housing types include IC Air-Tight, CCEA (Chicago Plenum), or Non-IC Rated (must specify). Non-IC rated housings must be kept at a minimum of 3" away from insulation. Butterfly brackets are compatible with adjustable bar hangers (14"-25") and EMT. Bar hangers must be ordered separately. Max. ambient temperature: 95°F (35°C).

TRIM SPECIFICATION

High quality trims are die-cast using A380 aluminum and finished with durable powder coat available in multiple finishes, black interior standard. Perforated mesh frame is die-cast to a 0.8mm thickness to easily adhere to joint compound for seamless and trimless mounting. Trims available in 1-1/2" regress for greater visual comfort or 1/2" regress for consistent look throughout space.

EMERGENCY BACKUP

Remote test switch included. External battery operates LED load at a minimum of 450 to 750 lumens for 90 minutes, depending on backup wattage selected. See trim multipliers for detailed performance. Servicing requires above ceiling access. (EM not available with Chicago Plenum)

ACCESSORIES

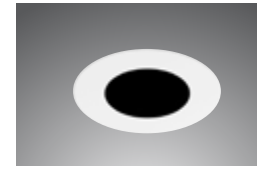
Luminaire will accommodate (2) accessories, accessory holder required, see page 2.

LISTING / WARRANTY

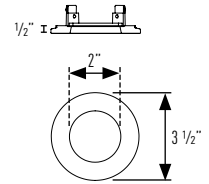
- 5-Year Intense LED Limited Warranty
- ETL listed to US and Canadian standards for damp locations
- (-IC/-CP Only) Air-Tight Certified ASTM E283
- (-IC/-CP Only) ETL listed for direct contact w/insulation
- (-CP Only) CCEA Chicago Plenum
- ENERGY STAR® Qualified¹
- Can be used to comply with 2016 Title 24, Part 6, JA8 high efficacy LED light source requirements²



| JOB NAME | CATALOG NUMBER |
|----------|----------------|
| NOTES | TYPE |



MXG2-RTLR306
(1/2" Regress)



Housing Dimensions Are On Page 2

Available Trim Finishes



Housing Part Number (Example: MXG2DRTL-ICL1)

| Housing | Installation Type | Ceiling Thickness | Wattage | Dimming | Voltage | Options |
|----------|----------------------|-----------------------|--|--|--|--|
| MXG2DRTL | -NC (Non-IC) | blank (5/8") | L0 (10W) | blank (Non-Dimming) | blank (Non-IC: 120V | 1100 (C-Channel Bar Hangers) |
| | -IC (Air-Tight IC) | EC1 ³ (1") | L1 (16W) | DELV ⁵ (Phase Dimming) | -IC/-CP: 120V/277V) | 1200 (Flat Bar Hangers) |
| | -CP (Chicago Plenum) | EC2 ³ (2") | L2 (20W) | D101 (0-10V Dimming 1%) | 27 (277V Non-IC Only, for -IC/-CP housing options use blank) | 1400 (Wood Joist Bar Hangers) |
| | | | L3 ⁴ (26W) | ED10V1 ⁶ (eldoLED 0-10V 1%) | | -EM7 ⁹ (7W Emergency Backup IOTA Part #ILB-CP07-A) |
| | | | ED10V01 ⁶ (eldoLED 0-10V 0.1%) | | | -EM12 ¹⁰ (12W Emergency Backup IOTA Part #ILB-CP12-A) |
| | | | LUT ⁷ (Lutron® LDE1 EcoSystem 1%) | | | |
| | | | DMXR ⁸ (DMX512 RDM 0.1%) | | | |

Trim Part Number (Example: MXTG2-RTLR306WL13024)

| Trim | Finish | Wattage | CCT / CRI | Lense |
|---------------------------------|----------------------|-----------------------|----------------------|-----------------------------------|
| MXTG2-RTLR306 (1/2" Regress) | W (White) | L0 (10W) | 27 (2700K / 82 CRI) | 09 ¹¹ (9° Narrow Spot) |
| | B (Black) | L1 (16W) | 279 (2700K / 92 CRI) | 12 (12° Spot) |
| | | L2 (20W) | 30 (3000K / 82 CRI) | 24 (24° Narrow Flood) |
| | AB (Antique Bronze) | L3 ⁴ (26W) | 309 (3000K / 92 CRI) | 36 (36° Flood) |
| | | 35 (3500K / 82 CRI) | 50 (50° Wide Flood) | |
| | | 359 (3500K / 92 CRI) | | |
| | | 41 (4100K / 82 CRI) | | |
| | 419 (4100K / 92 CRI) | | | |

Notes:

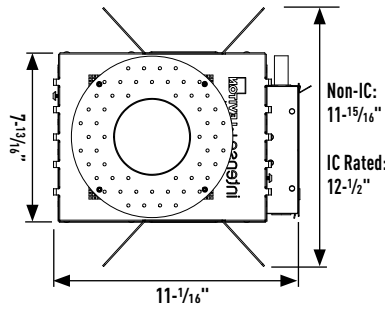
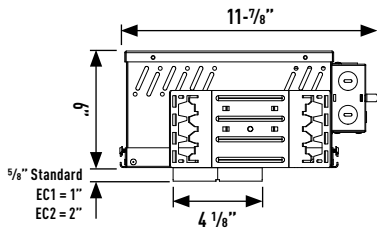
- ENERGY STAR® Qualified (White reflectors only; Excludes: L2, L3, 92 CRI & 9° options)
- L0 only; Excludes: 82 CRI & 9° options
- EC1/EC2 not available with (-CP) Chicago Plenum
- L3 available with Non-IC housings only
- Available in 120V only
- Not Available in L3
- Not Available in L2 & L3
- DMX512 RDM not available in L0 & L1
- Access above ceiling required; not available with (-CP) Chicago Plenum
- Not available in L0
- 9° NS available in 279 with L0 or L1 Only

MXG2DRTL

3.5" MX G2 LED Trimless Pinhole

| | | | |
|----------|--|----------------|--|
| JOB NAME | | CATALOG NUMBER | |
| NOTES | | TYPE | |

NON-IC & AIR TIGHT IC DIMENSIONS

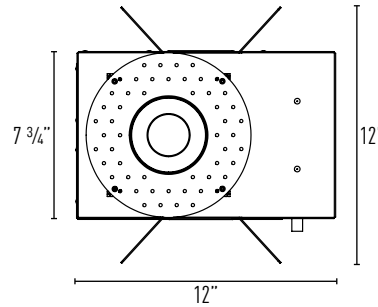
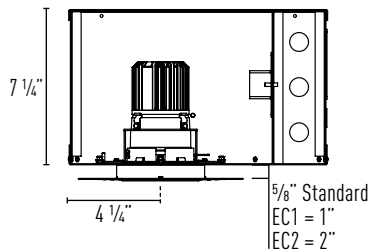


Ceiling Cut Out: 4 1/8"

Plaster Frame Accommodation

| | |
|----------|------------|
| Standard | Up-to 5/8" |
| EC1 | Up-to 1" |
| EC2 | Up-to 2" |

CCEA CHICAGO PLENUM DIMENSIONS



Ceiling Cut Out: 4 1/8"

Plaster Frame Accommodation

| | |
|----------|------------|
| Standard | Up-to 5/8" |
| EC1 | Up-to 1" |
| EC2 | Up-to 2" |

ACCESSORIES:

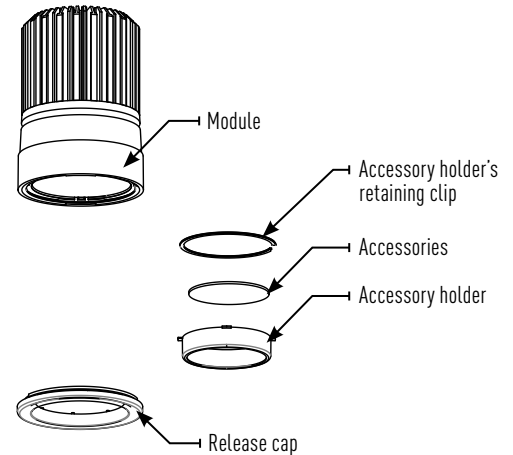
Luminaire will accommodate (2) accessories, accessory holder required.

INSTALLATION:

1. Rotate release cap by turning counter clockwise.
2. Install accessories into accessory holder and replace accessory holder's retaining clip.
3. Place accessory holder and accessory flush against optic and replace release cap.

Accessories

| | |
|----------|---------------------------|
| LH47 | (Accessory Holder, Black) |
| LH47W | (Accessory Holder, White) |
| PFLMB-47 | (Hex Louver, Black) |
| PFL1-47 | (Prismatic Spread Lens) |
| PFL2-47 | (Linear Spread Lens) |
| PFL4-47 | (Soft Focus Lens) |

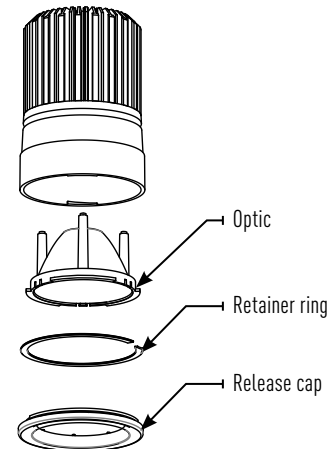


OPTICS REPLACEMENT

1. Rotate release cap by turning counter clockwise.
2. Install accessories into accessory holder and replace accessory holder's retaining clip.
3. Place accessory holder and accessory flush against optic and replace release cap.

Optics

| | |
|-----------|--------------------|
| IP-OP4712 | (12° Spot) |
| IP-OP4724 | (24° Narrow Flood) |
| IP-OP4736 | (36° Flood) |
| IP-OP4750 | (50° Wide Flood) |



| | | | |
|-----------------|--|-----------------------|--|
| JOB NAME | | CATALOG NUMBER | |
| NOTES | | TYPE | |

MXTG2-RTLD306L0

Report #: ILL-01262016-38 (12)
 ILL-02082016-11 (24)
 ILL-01262016-44 (36)
 ILL-01262016-47 (50)

MXTG2-RTLD306

Ceiling Thickness Multipliers:
 5/8" Thickness (x 1.00)
 1" Thickness (x 0.86)
 2" Thickness (x 0.73)

MXTG2-RTL306

Ceiling Thickness Multipliers:
 5/8" Thickness (x 0.98)
 1" Thickness (x 0.80)
 2" Thickness (x 0.65)

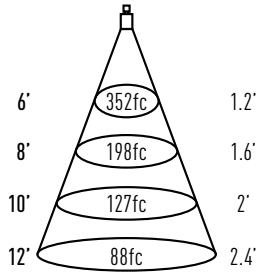
CCT MULTIPLIERS:

| | 82 CRI | 92 CRI |
|-------|----------|----------|
| 2700K | (x 0.93) | (x 0.76) |
| 3000K | (x 1.00) | (x 0.87) |
| 3500K | (x 1.00) | (x 0.87) |
| 4100K | (x 1.00) | (x 0.87) |

EMERGENCY MULTIPLIER:

7W Emergency (x 0.70)

12° Spot (12)

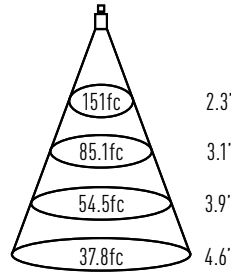


Watts: 10
 Lumens: 725
 LPW: 73
 CCT: 3000K

Candelas at Nadir

| Degree | CBCP |
|--------|-------|
| 0° | 12674 |
| 5° | 7407 |
| 15° | 524 |
| 25° | 50 |
| 35° | 9 |
| 45° | 3 |

24° Narrow Flood (24)

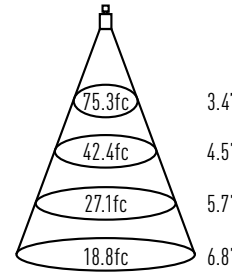


Watts: 10
 Lumens: 835
 LPW: 83
 CCT: 3000K

Candelas at Nadir

| Degree | CBCP |
|--------|------|
| 0° | 5449 |
| 5° | 4890 |
| 15° | 1255 |
| 25° | 93 |
| 35° | 8 |
| 45° | 3 |

36° Flood (36)

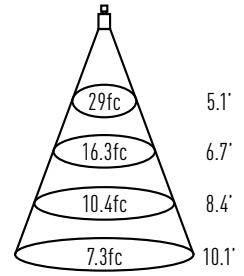


Watts: 10
 Lumens: 848
 LPW: 85
 CCT: 3000K

Candelas at Nadir

| Degree | CBCP |
|--------|------|
| 0° | 2712 |
| 5° | 2745 |
| 15° | 1555 |
| 25° | 314 |
| 35° | 31 |
| 45° | 3 |

50° Wide Flood (50)



Watts: 10
 Lumens: 676
 LPW: 68
 CCT: 3000K

Candelas at Nadir

| Degree | CBCP |
|--------|------|
| 0° | 1043 |
| 5° | 1102 |
| 15° | 969 |
| 25° | 469 |
| 35° | 124 |
| 45° | 7 |

MXTG2-RTLD306L1

Report #: ILL-01262016-14 (12)
 ILL-02082016-09 (24)
 ILL-01262016-20 (36)
 ILL-01262016-23 (50)

MXTG2-RTLD306

Ceiling Thickness Multipliers:
 5/8" Thickness (x 1.00)
 1" Thickness (x 0.86)
 2" Thickness (x 0.73)

MXTG2-RTL306

Ceiling Thickness Multipliers:
 5/8" Thickness (x 0.98)
 1" Thickness (x 0.80)
 2" Thickness (x 0.65)

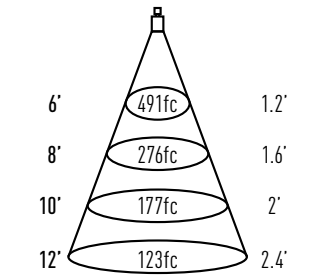
CCT MULTIPLIERS:

| | 82 CRI | 92 CRI |
|-------|----------|----------|
| 2700K | (x 0.93) | (x 0.76) |
| 3000K | (x 1.00) | (x 0.87) |
| 3500K | (x 1.00) | (x 0.87) |
| 4100K | (x 1.00) | (x 0.87) |

EMERGENCY MULTIPLIER:

7W Emergency (x 0.50)
 12W Emergency (x 0.85)

12° Spot (12)

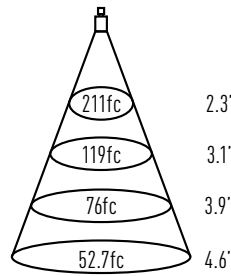


Watts: 15.6
 Lumens: 996
 LPW: 64
 CCT: 3000K

Candelas at Nadir

| Degree | CBCP |
|--------|-------|
| 0° | 17685 |
| 5° | 10155 |
| 15° | 718 |
| 25° | 69 |
| 35° | 13 |
| 45° | 4 |

24° Narrow Flood (24)

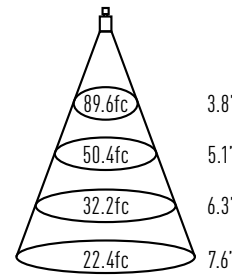


Watts: 15.6
 Lumens: 1165
 LPW: 75
 CCT: 3000K

Candelas at Nadir

| Degree | CBCP |
|--------|------|
| 0° | 7595 |
| 5° | 6824 |
| 15° | 1751 |
| 25° | 129 |
| 35° | 11 |
| 45° | 4 |

36° Flood (36)

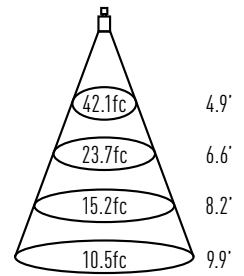


Watts: 15.6
 Lumens: 1204
 LPW: 77
 CCT: 3000K

Candelas at Nadir

| Degree | CBCP |
|--------|------|
| 0° | 3225 |
| 5° | 3213 |
| 15° | 2123 |
| 25° | 569 |
| 35° | 80 |
| 45° | 3 |

50° Wide Flood (50)



Watts: 15.6
 Lumens: 945
 LPW: 61
 CCT: 3000K

Candelas at Nadir

| Degree | CBCP |
|--------|------|
| 0° | 1517 |
| 5° | 1599 |
| 15° | 1376 |
| 25° | 645 |
| 35° | 166 |
| 45° | 10 |

| | | | |
|-----------------|--|-----------------------|--|
| JOB NAME | | CATALOG NUMBER | |
| NOTES | | TYPE | |

MXTG2-RTLD306L2

Report #: ILL-01262016-26 (12)
 ILL-02082016-06 (24)
 ILL-01262016-32 (36)
 ILL-02082016-05 (50)

MXTG2-RTLD306

Ceiling Thickness Multipliers:
 5/8" Thickness (x 1.00)
 1" Thickness (x 0.86)
 2" Thickness (x 0.73)

MXTG2-RTL306

Ceiling Thickness Multipliers:
 5/8" Thickness (x 0.98)
 1" Thickness (x 0.80)
 2" Thickness (x 0.65)

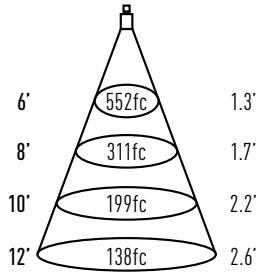
CCT MULTIPLIERS:

| | 82 CRI | 92 CRI |
|-------|----------|----------|
| 2700K | (x 0.93) | (x 0.76) |
| 3000K | (x 1.00) | (x 0.87) |
| 3500K | (x 1.00) | (x 0.87) |
| 4100K | (x 1.00) | (x 0.87) |

EMERGENCY MULTIPLIER:

7W Emergency (x 0.40)
 12W Emergency (x 0.68)

12° Spot (12)

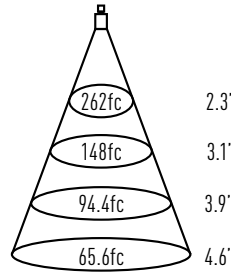


Watts: 20.4
 Lumens: 1225
 LPW: 60
 CCT: 3000K

Candelas at Nadir

| Degree | CBCP |
|--------|-------|
| 0° | 19887 |
| 5° | 12965 |
| 15° | 776 |
| 25° | 98 |
| 35° | 17 |
| 45° | 4 |

24° Narrow Flood (24)

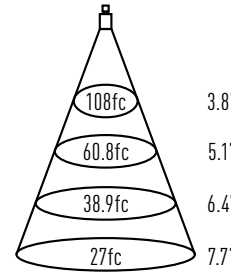


Watts: 20.8
 Lumens: 1425
 LPW: 69
 CCT: 3000K

Candelas at Nadir

| Degree | CBCP |
|--------|------|
| 0° | 9443 |
| 5° | 8622 |
| 15° | 2133 |
| 25° | 133 |
| 35° | 14 |
| 45° | 5 |

36° Flood (36)

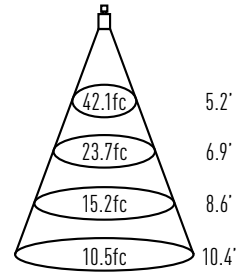


Watts: 20.4
 Lumens: 1450
 LPW: 71
 CCT: 3000K

Candelas at Nadir

| Degree | CBCP |
|--------|------|
| 0° | 3888 |
| 5° | 3833 |
| 15° | 2558 |
| 25° | 680 |
| 35° | 100 |
| 45° | 4 |

50° Wide Flood (50)



Watts: 20.8
 Lumens: 1153
 LPW: 55
 CCT: 3000K

Candelas at Nadir

| Degree | CBCP |
|--------|------|
| 0° | 1516 |
| 5° | 1602 |
| 15° | 1553 |
| 25° | 844 |
| 35° | 257 |
| 45° | 17 |

MXTG2-RTLD306L3

Report #: ILL-01262016-11 (12)
 ILL-02082016-02 (24)
 ILL-01262016-02 (36)
 ILL-02082016-01 (50)

MXTG2-RTLD306

Ceiling Thickness Multipliers:
 5/8" Thickness (x 1.00)
 1" Thickness (x 0.86)
 2" Thickness (x 0.73)

MXTG2-RTL306

Ceiling Thickness Multipliers:
 5/8" Thickness (x 0.98)
 1" Thickness (x 0.80)
 2" Thickness (x 0.65)

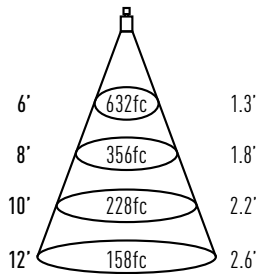
CCT MULTIPLIERS:

| | 82 CRI | 92 CRI |
|-------|----------|----------|
| 2700K | (x 0.93) | (x 0.76) |
| 3000K | (x 1.00) | (x 0.87) |
| 3500K | (x 1.00) | (x 0.87) |
| 4100K | (x 1.00) | (x 0.87) |

EMERGENCY MULTIPLIER:

7W Emergency (x 0.35)
 12W Emergency (x 0.59)

12° Spot (12)

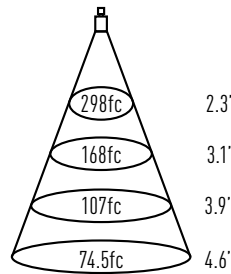


Watts: 26.3
 Lumens: 1413
 LPW: 54
 CCT: 3000K

Candelas at Nadir

| Degree | CBCP |
|--------|-------|
| 0° | 22755 |
| 5° | 14920 |
| 15° | 840 |
| 25° | 103 |
| 35° | 21 |
| 45° | 5 |

24° Narrow Flood (24)

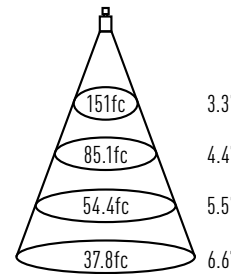


Watts: 26.3
 Lumens: 1621
 LPW: 62
 CCT: 3000K

Candelas at Nadir

| Degree | CBCP |
|--------|-------|
| 0° | 10730 |
| 5° | 9793 |
| 15° | 2426 |
| 25° | 152 |
| 35° | 16 |
| 45° | 6 |

36° Flood (36)

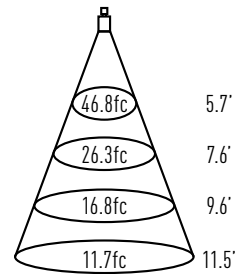


Watts: 26.4
 Lumens: 1627
 LPW: 62
 CCT: 3000K

Candelas at Nadir

| Degree | CBCP |
|--------|------|
| 0° | 5444 |
| 5° | 5349 |
| 15° | 2905 |
| 25° | 593 |
| 35° | 79 |
| 45° | 6 |

50° Wide Flood (50)



Watts: 26.3
 Lumens: 1203
 LPW: 46
 CCT: 3000K

Candelas at Nadir

| Degree | CBCP |
|--------|------|
| 0° | 1683 |
| 5° | 1639 |
| 15° | 1485 |
| 25° | 880 |
| 35° | 322 |
| 45° | 28 |