

# MXG2WSTR

## 3.5" MX G2 LED Square Wall Wash

<b>JOB NAME</b>		<b>CATALOG NUMBER</b>	
<b>NOTES</b>		<b>TYPE</b>	

### ELECTRICAL DATA

LED LIGHT ENGINE	System Wattage *	CCT / CRI	Delivered Lumens **	Lumens Per Watt
L0	10W	3000K / 82 CRI	536lm	54
L1	16W	3000K / 82 CRI	746lm	48
L2	20W	3000K / 82 CRI	895lm	44
L3	26W	3000K / 82 CRI	1025lm	39

\*System Wattage include driver and LED Module consumption. \*\*Delivered lumens will vary depending on trim, CCT, CRI, optic and ceiling thickness

### FEATURES

- Multiple architectural trim options
- Uniform vertical and horizontal distribution
- 92 CRI options in all color temperatures

### LED LIGHT ENGINE

- 92 CRI & 82 CRI in 2700K, 3000K, 3500K and 4100K with 2 SDCM binning
- >50,000 hours L70 (rated life at 70% output)

### ELECTRICAL SYSTEM

- Multiple dimming drivers available
- (Non-IC) Dedicated voltage options of 120V or 277V. Must be specified in catalog code.
- (-IC) Universal 120V/277V input
- This product complies with IEEE C62.41 for surge endurance up to 2.5KV. Additional surge protection recommended. Damage from power surge is not covered by warranty.

### DIMMING

- 0-10V Dimming 1%
- Forward/reverse dimming 1% (120V only)
- EldoLED 0-10V 0.1% or 1%
- Lutron® LDE1 Hi-Lume 1% EcoSystem LED driver with Soft-on, Fade-to-Black dimming technology
- DMX512 RDM 0.1%

### HOUSING

- Heavy duty black powder coated 18 gauge steel frame
- Standard housing accommodates 5/8" ceiling thickness
- Extended collar options available for ceilings up to 1" or 2" thick, must specify either EC1 or EC2

### TRIM SPECIFICATION

High performance wall wash with asymmetric distribution provides uniform vertical illumination (see spacing criteria on next pages). Durably constructed with die-cast A380 aluminum and powder coat finish.

### INSTALLATION

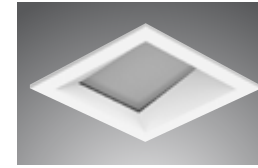
Housing types include IC Air-Tight or Non-IC Rated (must specify). Non-IC rated housings must be kept at a minimum of 3" away from insulation. Butterfly brackets are compatible with C-channel, adjustable bar hangers (14"-25") and EMT. C-channel is recommended for T-bar ceilings. Bar hangers must be ordered separately. Max. ambient temperature: 95°F (35°C).

### EMERGENCY BACKUP

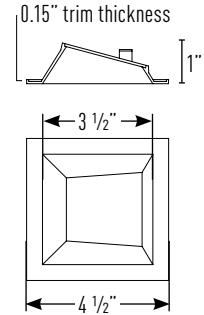
Remote test switch included. External battery operates LED load at a minimum of 350 to 600 lumens for 90 minutes, depending on backup wattage selected. See trim multipliers for detailed performance. Servicing requires above ceiling access.

### LISTING / WARRANTY

- 5-Year Intense LED Limited Warranty
- ETL listed to US and Canadian standards for damp locations
- (-IC Only) Air-Tight Certified ASTM E283
- (-IC Only) ETL listed for direct contact w/insulation

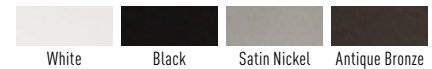


MXG2-STRW300  
(1" Regress)



Housing dimensions are on Page 2

### Available Trim Finishes



### Housing Part Number (Example: MXG2WSTR-ICL1)

Housing	Installation Type	Ceiling Thickness	Wattage	Dimming	Voltage	Options
MXG2WSTR	-NC (Non-IC)	blank (5/8")	L0 (10 Watts)	blank (Non-Dimming)	blank (Non-IC: 120V -IC: 120V/277V) 27 (277V Non-IC Only, for -IC housing options use blank)	I100 (C-Channel Bar Hangers)
	-IC (Air-Tight IC)	EC1 (1")	L1 (16 Watts)	DELV <sup>2</sup> (Phase Dimming)		I200 (Flat Bar Hangers)
		EC2 (2")	L2 (20 Watts)	D101 (0-10V Dimming 1%)		I400 (Wood Joist Bar Hangers)
			L3' (26 Watts)	ED10V1 <sup>3</sup> (eldoLED 0-10V 1%)		EM7 <sup>6</sup> (7W Emergency Backup IOTA Part #ILB-CP07-A)
				ED10V01 <sup>3</sup> (eldoLED 0-10V 0.1%)		EM12 <sup>4,7</sup> (12W Emergency Backup IOTA Part #ILB-CP12-A)
			LUT <sup>4</sup> (Lutron® LDE1 EcoSystem 1%)			
			DMXR <sup>5</sup> (DMX512 RDM 0.1%)			

### Trim Part Number (Example: MXTG2-STRW300W-SFL130)

Trim	Finish	Wattage	CCT / CRI
MXTG2-STRW300 (1" Regress)	W-SF (White / Self Flanged)	L0 (10 Watts)	27 (2700K / 82 CRI)
	B-SF (Black / Self Flanged)	L1 (16 Watts)	279 (2700K / 92 CRI)
	SN-SF (Satin Nickel / Self Flanged)	L2 (20 Watts)	30 (3000K / 82 CRI)
	SN-SFW <sup>8</sup> (Satin Nickel / Self Flanged White)	L3' (26 Watts)	309 (3000K / 92 CRI)
	AB-SF (Antique Bronze / Self Flanged)		35 (3500K / 82 CRI)
	AB-SFW <sup>8</sup> (Antique Bronze / Self Flanged White)		359 (3500K / 92 CRI)
			41 (4100K / 82 CRI)
			419 (4100K / 92 CRI)

#### Notes:

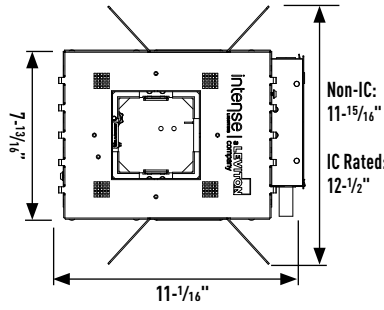
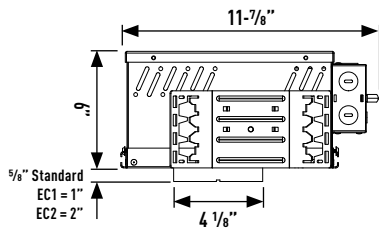
- L3 available with Non-IC housings only
- Available in 120V only
- Not Available in L3
- Not Available in L2 & L3
- DMX512 RDM not available in L0 & L1
- Access above ceiling required
- Not available in L0
- Consult factory for lead times

# MXG2WSTR

3.5" MX G2 LED Square Wall Wash

JOB NAME		CATALOG NUMBER	
NOTES		TYPE	

## NON-IC & AIR TIGHT IC DIMENSIONS



### Plaster Frame Accommodation

Collar Type	Standard	EC1	EC2
Max Ceiling Thickness	Up-to 5/8"	Up-to 1"	Up-to 2"

Ceiling Cut Out: 4 1/8"



# 3.5" MX G2 LED Wall Wash Photometrics

JOB NAME		CATALOG NUMBER	
NOTES		TYPE	

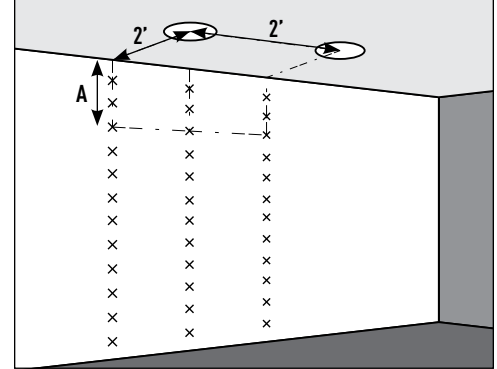
## MXTG2-STRW300WLO

Report #: ILL-02242016-04  
 Reflector Finish: White  
 Luminaire Watts: 10W  
 Luminaire Lumens: 536lm  
 Lumens Per Watt: 54  
 Color Temperature: 3000K  
 Color Rendering Index: 82

**EMERGENCY MULTIPLIER:**  
 7W Emergency (x 0.70)

(A) Distance From Ceiling	2' From Wall On 2' Centers	3' From Wall On 2' Centers	3' From Wall On 3' Centers
	□ 2' □	□ 2' □	□ 3' □
1'	9 10 9	3 3 3	2 3 2
2'	14 15 14	6 6 6	5 5 5
3'	19 21 19	8 8 8	6 7 6
4'	18 20 18	10 11 10	8 9 8
5'	14 16 14	10 11 10	9 10 9
6'	10 11 10	10 10 10	8 9 8
7'	7 8 7	8 9 8	7 8 7
8'	5 6 5	7 7 7	6 6 6
9'	4 4 4	5 6 5	5 5 5
10'	3 3 3	4 4 4	4 4 4
11'	2 2 2	3 3 3	3 3 3
12'	2 2 2	3 3 3	2 3 2

Example: Two luminaires located 2' from wall and spaced 2' on center, the illumination on the wall 3' down from ceiling will be 19fc beneath units and 21fc between units



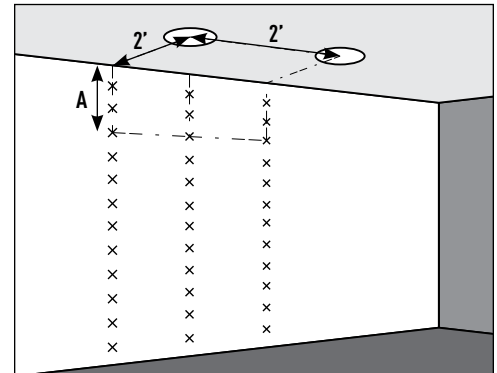
## MXTG2-STRW300WL1

Report #: ILL-02242016-03  
 Reflector Finish: White  
 Luminaire Watts: 15.5W  
 Luminaire Lumens: 746lm  
 Lumens Per Watt: 48  
 Color Temperature: 3000K  
 Color Rendering Index: 82

**EMERGENCY MULTIPLIER:**  
 7W Emergency (x 0.50)  
 12W Emergency (x 0.85)

(A) Distance From Ceiling	2' From Wall On 2' Centers	3' From Wall On 2' Centers	3' From Wall On 3' Centers
	□ 2' □	□ 2' □	□ 3' □
1'	12 13 12	4 5 4	3 4 3
2'	20 21 20	8 9 8	7 7 7
3'	26 29 26	10 12 10	9 9 9
4'	25 28 25	13 15 13	11 12 11
5'	20 22 20	14 16 14	12 13 12
6'	15 16 15	13 15 13	11 12 11
7'	10 11 10	11 12 11	10 11 10
8'	7 8 7	9 10 9	8 9 8
9'	5 6 5	7 8 7	6 7 6
10'	4 4 4	6 6 6	5 6 5
11'	3 3 3	5 5 5	4 4 4
12'	2 2 2	4 4 4	3 4 3

Example: Two luminaires located 2' from wall and spaced 2' on center, the illumination on the wall 3' down from ceiling will be 26fc beneath units and 29fc between units



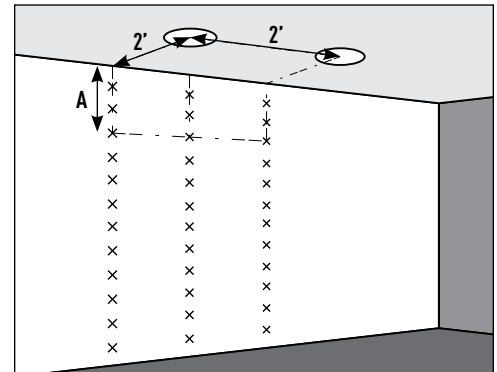
## MXTG2-STRW300WL2

Report #: ILL-02242016-02  
 Reflector Finish: White  
 Luminaire Watts: 20.5W  
 Luminaire Lumens: 895lm  
 Lumens Per Watt: 44  
 Color Temperature: 3000K  
 Color Rendering Index: 82

**EMERGENCY MULTIPLIER:**  
 7W Emergency (x 0.40)  
 12W Emergency (x 0.68)

(A) Distance From Ceiling	2' From Wall On 2' Centers	3' From Wall On 2' Centers	3' From Wall On 3' Centers
	□ 2' □	□ 2' □	□ 3' □
1'	14 16 14	5 5 5	4 4 4
2'	24 26 24	9 10 9	8 9 8
3'	32 35 32	13 14 13	11 11 11
4'	31 34 31	16 18 16	13 15 13
5'	24 26 24	17 19 17	15 16 15
6'	17 19 17	16 18 16	14 15 14
7'	12 13 12	14 15 14	12 13 12
8'	9 10 9	11 12 11	10 11 10
9'	7 7 7	9 9 9	8 8 8
10'	5 5 5	7 7 7	6 7 6
11'	4 4 4	6 6 6	5 5 5
12'	3 3 3	4 5 4	4 4 4

Example: Two luminaires located 2' from wall and spaced 2' on center, the illumination on the wall 3' down from ceiling will be 32fc beneath units and 35fc between units



Multipliers: 2700K / 82 CRI (x 0.93); 2700K / 92 CRI (x 0.76); 3000K / 82 CRI (x 1.00); 3000K / 92 CRI (x 0.87); 3500K / 82 CRI (x 1.00); 4100K / 82 CRI (x 1.00)

# MX

## 3.5" MX G2 LED Wall Wash Photometrics

JOB NAME		CATALOG NUMBER	
NOTES		TYPE	

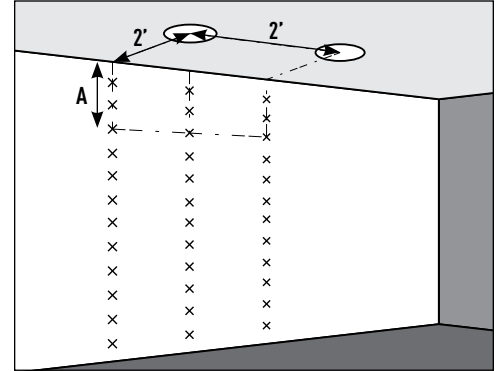
### MXTG2-STRW300WL3

Report #: ILL-02242016-01  
 Reflector Finish: White  
 Luminaire Watts: 26.5W  
 Luminaire Lumens: 1025lm  
 Lumens Per Watt: 39  
 Color Temperature: 3000K  
 Color Rendering Index: 82

**EMERGENCY MULTIPLIER:**  
 7W Emergency (x 0.35)  
 12W Emergency (x 0.59)

(A) Distance From Ceiling	2' From Wall On 2' Centers	3' From Wall On 2' Centers	3' From Wall On 3' Centers
	□ 2' □	□ 2' □	□ 3' □
1'	16 18 16	5 6 5	4 5 4
2'	27 29 27	11 12 11	9 10 9
3'	37 40 37	14 16 14	12 13 12
4'	35 39 35	18 21 18	15 17 15
5'	28 30 28	20 22 20	17 18 17
6'	20 22 20	18 20 18	16 17 16
7'	14 15 14	16 17 16	13 15 13
8'	10 11 10	13 14 13	11 12 11
9'	7 8 7	10 11 10	9 10 9
10'	6 6 6	8 8 8	7 8 7
11'	4 4 4	6 7 6	6 6 6
12'	3 3 3	5 5 5	5 5 5

Example: Two luminaires located 2' from wall and spaced 2' on center, the illumination on the wall 3' down from ceiling will be 37fc beneath units and 40fc between units



Multipliers: 2700K / 82 CRI (x 0.93); 2700K / 92 CRI (x 0.76); 3000K / 82 CRI (x 1.00); 3000K / 92 CRI (x 0.87); 3500K / 82 CRI (x 1.00); 4100K / 82 CRI (x 1.00)