

iQC

iQ Canopy Mounted Luminaire

JOB NAME		CATALOG NUMBER	
NOTES		TYPE	

ELECTRICAL DATA

LED Light Engine	System Wattage *	CCT / CRI	Nominal Delivered Lumens **
L0	11W	3000K / 82 CRI	980lm
L1	16W	3000K / 82 CRI	1300 lm

*System Wattage includes driver and LED module consumption

**Delivered lumens output will vary depending on, lumen packages, CCT/CRI and optic selection. See IES files for exact values.

FEATURES

- High performance LED with 2 SDCM binning
- Spot optic with 14,500 CBCP
- Choice of multiple CCT/CRI options
- Easy, field changeable optics

LED LIGHT ENGINE

- Color consistency of 2 MacAdam Ellipses
- 82 or 92 CRI in 2700, 3000, 3500 & 4000K
- 50,000 hours L70 (rated life at 70% output)

OPTICS

- 12° spot, 24° narrow flood, 36° flood, and 50° wide flood
- Field changeable optics

ELECTRICAL SYSTEM

- 120/277V 50/60Hz input
- Class 2 power supply
- Over voltage/current and short circuit protection
- Auto Recovery

DIMMING

- Forward/ Reverse phase dimming
- Phase dimming in 120V only
- 0-10V dimming available in 120V-277V

MOUNTING

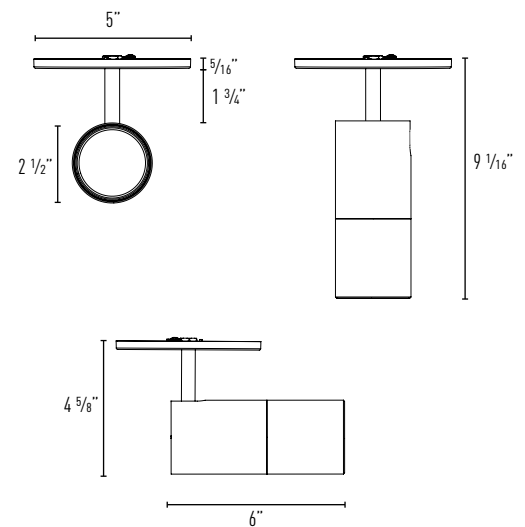
Mounts to a standard 4" octagon junction box

ACCESSORIES

- Accessories include: Hex louver, prismatic spread lens, linear spread lens, and solite lens.
- Luminaire will accommodate (1) accessory. Holder required.

LISTING/WARRANTY

- ETL Listed to US and Canadian standards for damp locations
- 5-Year Intense LED Limited Warranty



Horizontal Adjustability: 358°
Vertical Adjustability: 180°

Example: IQCL130W-NF

Luminaire	Wattage	CCT / CRI	Driver	Finish	Beam Spread
iQC	-L0 (11 Watts)	27 (2700K/82 CRI)	blank (Non-Dimming)	W (White)	-SP (12° Spot)
	-L1 (16 Watts)	279 (2700K/92 CRI)	-DIM1 (Phase Dimming)	B (Black)	-NF (24° Narrow Flood)
		30 (3000K/82 CRI)	-D101 (0-10V Dimming)	SV (Silver)	-FL (36° Flood)
		309 (3000K/92 CRI)			-WF (50° Wide Flood)
		35 (3500K/82 CRI)			
		359 (3500K/92 CRI)			
		40 (4000K/82 CRI)			
	409 (4000K/92 CRI)				

Accessories:

- LH56** (Accessory Holder)
- PFLMB-56** (Hex Louver)
- PFL56-1** (Prismatic Spread Lens)
- PFL56-2** (Linear Spread Lens)
- PFL56-4** (Solite Lens)

Field Changeable Optic:

- IP-B047SP** (12° Spot)
- IP-B047NF** (24° Narrow Flood)
- IP-B047FL** (36° Flood)
- IP-B047WF** (50° Wide Flood)

Notes:
1. Phase dimming available in 120V only

JOB NAME		CATALOG NUMBER	
NOTES		TYPE	

IQL130

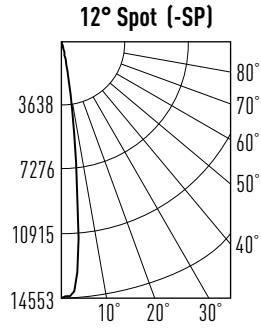
Report #:
 ILL-20170505-01
 ILL-20170505-02
 ILL-20170505-03
 ILL-20170505-04

CCT / CRI Multipliers:

2700K / 82 CRI (x 0.94)
 2700K / 92 CRI (x 0.75)
 3000K / 82 CRI (x 1.00)
 3000K / 92 CRI (x 0.81)
 3500K / 82 CRI (x 1.00)
 3500K / 92 CRI (x 0.87)
 4100K / 82 CRI (x 1.00)
 4100K / 92 CRI (x 0.87)

LED Engine Multiplier:

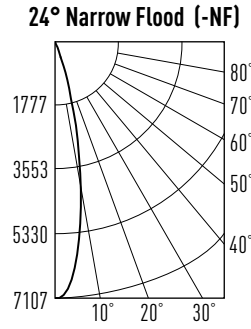
IQ-L0 (x 0.75)
 IQ-L1 (x 1.00)



Watts: 16
 Lumens: 1115
 LPW: 70
 CCT: 3000K

Candelas at Nadir

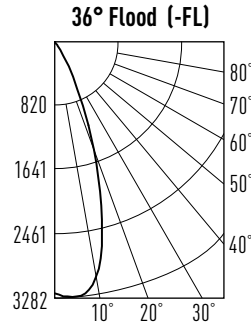
Degree	Candela
0°	14553
5°	9019
15°	883
25°	155
35°	69
45°	25



Watts: 16
 Lumens: 1277
 LPW: 80
 CCT: 3000K

Candelas at Nadir

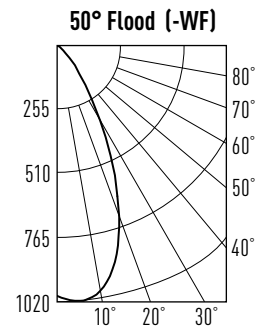
Degree	Candela
0°	7107
5°	6270
15°	1986
25°	266
35°	38
45°	11



Watts: 16
 Lumens: 1311
 LPW: 82
 CCT: 3000K

Candelas at Nadir

Degree	Candela
0°	3282
5°	3310
15°	2191
25°	739
35°	158
45°	17



Watts: 16
 Lumens: 1020
 LPW: 64
 CCT: 3000K

Candelas at Nadir

Degree	Candela
0°	981
5°	1008
15°	1021
25°	712
35°	325
45°	91