

MR16-MXDRTR

3.5" MX MR16 Pinhole

JOB NAME		CATALOG NUMBER	
NOTES		TYPE	

Catalog Number	Lamp Type	Socket Type	Maximum Wattage
MXT-RTRD306-GU53	12V MR16	GU5.3	15W LED / 35W Halogen
MXT-RTRD306-GU10	120V MR16	GU10	15W LED / 35W Halogen

LAMP (ORDERED SEPARATELY)

- 12V MR16 GU5.3 LED 15W max. - accommodates lamp diameter up to 1.97" (50.1mm) and MOL of 1.83" (46.4mm)
- 12V MR16 GU5.3 Halogen 35W max. (must use MR16 with front cover glass) - lamp diameter up to 1.97" and MOL of 1.83"
- 120V MR16 GU10 Halogen 35W max. - accommodates lamp diameter up to 1.97" (50.1mm) and MOL of 2.18" (55.3mm)

ELECTRICAL SYSTEM

- Power factor >.9, 50/60Hz
- Multiple electronic transformers available, dimming on 120V only
- This product complies with IEEE C62.41 for surge endurance up to 2.5KV. Additional surge protection recommended. Damage from power surge is not covered by warranty.

TRANSFORMERS (Check LED compatibility with lamp manufacturer):

- NT - GU10 without transformer with 120V input (35W max.)
- T1 - Hatch RS12-15(X)-LED 120V input/12V output 15W max., no minimum load
- T2 - Hatch RS12-60(X) 120V input/12V output 35W max., no minimum load
- T3 - Hatch RS12-80-277(X) 277V input/12V output 35W max., minimum load 10W (not recommended for LED)

HOUSING

Heavy duty black powder coated 18 gauge steel frame. Standard plaster frame accommodates 5/8" ceiling thickness. Extended collar options available, specify EC1 for 1" or EC2 for 2".

TRIM SPECIFICATION

High quality trims are die-cast using A380 aluminum and finished with durable powder coat available in multiple finishes, black interior standard.

INSTALLATION

Housing types include IC Air-Tight, CCEA (Chicago Plenum), or Non-IC Rated (must specify). Non-IC rated housings must be kept at a minimum of 3" away from insulation. Butterfly brackets are compatible with C-channel, adjustable bar hangers (14"-25") and EMT. C-channel is recommended for T-bar ceilings. Bar hangers must be ordered separately. Consult lamp manufacturer for maximum ambient temperature.

ACCESSORIES

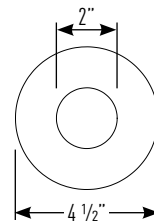
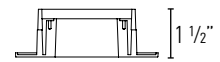
Luminaire will accommodate (2) accessories, accessory holder required. See page 2.

LISTINGS

- ETL Listed to US and Canadian standards for damp locations
- (-AIC Only) Air Tight Certified ASTM E283
- (-AIC Only) ETL listed for direct contact w/insulation
- (-CP Only) CCEA Chicago Plenum



MXTG2-RTRD306



Housing dimensions are on Page 2

Example: MR16-MXDRTR-ICT1

Housing	Installation Type	Ceiling Thickness	Transformer	Accessories
MR16-MXDRTR	<input type="checkbox"/> -NC (Non-IC) <input type="checkbox"/> -IC (Air-Tight IC) <input type="checkbox"/> -CP (Chicago Plenum)	<input type="checkbox"/> blank (5/8") <input type="checkbox"/> EC1 (1") <input type="checkbox"/> EC2 (2")	<input type="checkbox"/> NT (GU10 120V No Transformer) <input type="checkbox"/> T1 (120V/12V RS12-15X-LED) <input type="checkbox"/> T2 (120V/12V RS12-60X) <input type="checkbox"/> T3 (277V/12V RS12-80X)	<input type="checkbox"/> -1100 (C-Channel Bar Hangers) <input type="checkbox"/> -1200 (Flat Bar Hangers) <input type="checkbox"/> -1400 (Wood Joist Bar Hangers)

Example: MXT-RTRD306W-GU53

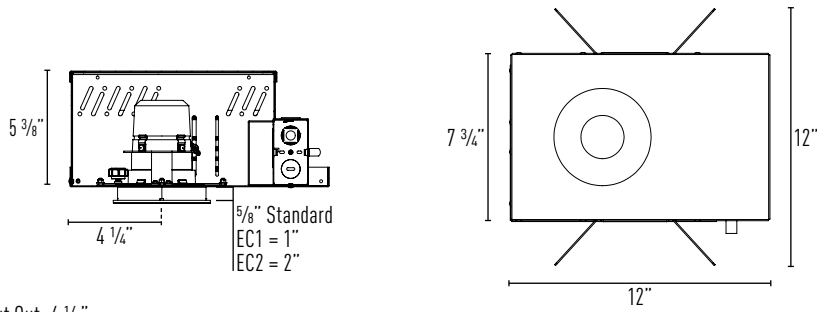
Reflector	Finish	Base Type
MXT-RTRD306	<input type="checkbox"/> B (Black) <input type="checkbox"/> W (White) <input type="checkbox"/> SN (Satin Nickel) <input type="checkbox"/> AB (Antique Bronze) <input type="checkbox"/> WH (Wheat)	<input type="checkbox"/> -GU53 (12V MR16) <input type="checkbox"/> -GU10 (120V MR16)

MR16-MXDRTR

3.5" MX MR16 Pinhole

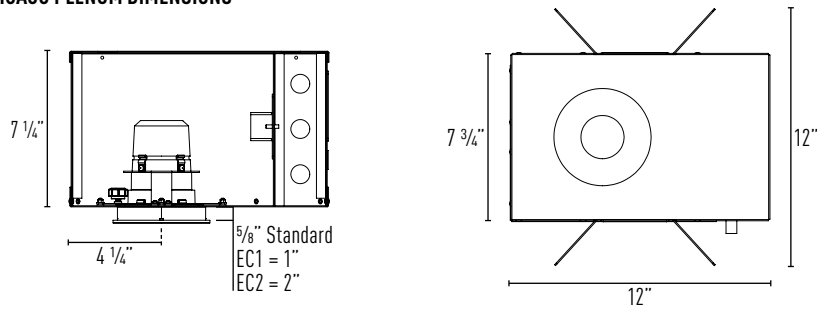
JOB NAME		CATALOG NUMBER	
NOTES		TYPE	

NON-IC & AIR TIGHT IC DIMENSIONS



Ceiling Cut Out: 4 1/8"

CCEA CHICAGO PLENUM DIMENSIONS



Ceiling Cut Out: 4 1/8"

ACCESSORIES

Luminaire will accommodate (2) accessories, accessory holder required.

INSTALLATION

1. Remove module from channel and disconnect quick connect.
2. Rotate release cap by turning counter clockwise. Remove two screws on release cap to remove integral sleeve.
3. Install accessories into accessory holder and replace accessory holder's retaining clip.
4. Place accessory holder and accessory against release cap and replace integral sleeve with two screws.
5. Replace release cap.

Accessories

- LH47** (Accessory Holder, Black)
- LH47W** (Accessory Holder, White)
- PFLMB-47** (Hex Louver, Black)
- PFL1-47** (Prismatic Spread Lens)
- PFL2-47** (Linear Spread Lens)
- PFL4-47** (Soft Focus Lens)

