

# MR16-MXDRTR

3.5" MX MR16 Lensed Pinhole - Wet Location

<b>JOB NAME</b>		<b>CATALOG NUMBER</b>	
<b>NOTES</b>		<b>TYPE</b>	

Catalog Number	Lamp Type	Socket Type	Maximum Wattage
<b>MXT-RTRD308-GU53</b>	12V MR16	GU5.3	15W LED / 35W Halogen
<b>MXT-RTRD308-GU10</b>	120V MR16	GU10	15W LED / 35W Halogen

### LAMP (ORDERED SEPARATELY)

- 12V MR16 GU5.3 LED 15W max. - accommodates lamp diameter up to 1.97" (50.1mm) and MOL of 1.83" (46.4mm)
- 12V MR16 GU5.3 Halogen 35W max. (must use MR16 with front cover glass) - lamp diameter up to 1.97" and MOL of 1.83"
- 120V MR16 GU10 Halogen 35W max. - accommodates lamp diameter up to 1.97" (50.1mm) and MOL of 2.18" (55.3mm)

### ELECTRICAL SYSTEM

- Power factor >.9, 50/60Hz
- Multiple electronic transformers available, dimming on 120V only
- This product complies with IEEE C62.41 for surge endurance up to 2.5KV. Additional surge protection recommended. Damage from power surge is not covered by warranty.

### TRANSFORMERS (Check LED compatibility with lamp manufacturer):

- NT - GU10 without transformer with 120V input (35W max.)
- T1 - Hatch RS12-15(X)-LED 120V input/12V output 15W max., no minimum load
- T2 - Hatch RS12-60(X) 120V input/12V output 35W max., no minimum load
- T3 - Hatch RS12-80-277(X) 277V input/12V output 35W max., minimum load 10W (not recommended for LED)

### HOUSING

Heavy duty black powder coated 18 gauge steel frame. Standard plaster frame accommodates 5/8" ceiling thickness. Extended collar options available, specify EC1 for 1" or EC2 for 2".

### TRIM SPECIFICATION

High quality trims are die-cast using A380 aluminum and finished with durable powder coat available in multiple finishes, black interior standard. Trim is available with solite, clear tempered or frosted lens, must specify.

### INSTALLATION

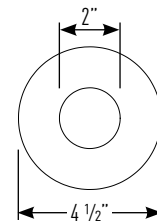
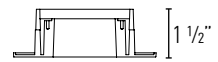
Housing types include IC Air-Tight, CCEA (Chicago Plenum), or Non-IC Rated (must specify). Non-IC rated housings must be kept at a minimum of 3" away from insulation. Butterfly brackets are compatible with C-channel, adjustable bar hangers (14"-25") and EMT. C-channel is recommended for T-bar ceilings. Bar hangers must be ordered separately. Consult lamp manufacturer for maximum ambient temperature.

### LISTING

ETL Listed to US and Canadian standards for wet locations



MXTG2-RTRD308



Housing dimensions are on Page 2

Example: MR16-MXDRTR-ICT1

Housing	Installation Type	Ceiling Thickness	Transformer	Accessories
<b>MR16-MXDRTR</b>	<input type="checkbox"/> <b>-NC</b> (Non-IC) <input type="checkbox"/> <b>-IC</b> (Air-Tight IC) <input type="checkbox"/> <b>-CP</b> (Chicago Plenum)	<input type="checkbox"/> blank (5/8") <input type="checkbox"/> <b>EC1</b> (1") <input type="checkbox"/> <b>EC2</b> (2")	<input type="checkbox"/> <b>NT</b> (GU10 120V No Transformer) <input type="checkbox"/> <b>T1</b> (120V/12V RS12-15X-LED) <input type="checkbox"/> <b>T2</b> (120V/12V RS12-60X) <input type="checkbox"/> <b>T3</b> (277V/12V RS12-80X)	<input type="checkbox"/> <b>-1100</b> (C-Channel Bar Hangers) <input type="checkbox"/> <b>-1200</b> (Flat Bar Hangers) <input type="checkbox"/> <b>-1400</b> (Wood Joist Bar Hangers)

Example: MXT-RTRD308W-CR-GU53

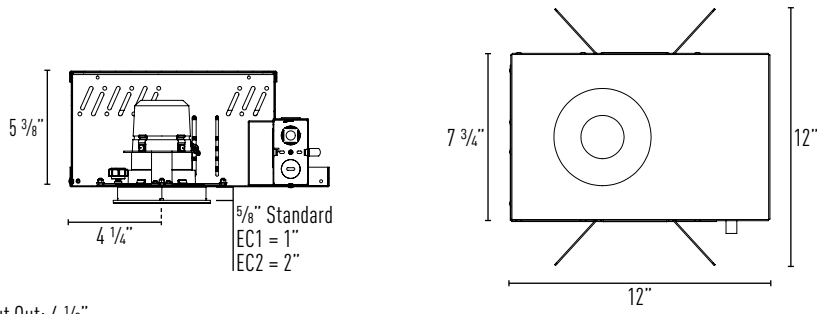
Reflector	Finish	Lens Type	Base Type
<b>MXT-RTRD308</b>	<input type="checkbox"/> <b>B</b> (Black) <input type="checkbox"/> <b>W</b> (White) <input type="checkbox"/> <b>SN</b> (Satin Nickel) <input type="checkbox"/> <b>AB</b> (Antique Bronze) <input type="checkbox"/> <b>WH</b> (Wheat)	<input type="checkbox"/> <b>-SL</b> (Solite) <input type="checkbox"/> <b>-CR</b> (Clear Tempered) <input type="checkbox"/> <b>-FR</b> (Frosted)	<input type="checkbox"/> <b>-GU53</b> (12V MR16) <input type="checkbox"/> <b>-GU10</b> (120V MR16)

# MR16-MXDRTR

3.5" MX MR16 Lensed Pinhole - Wet Location

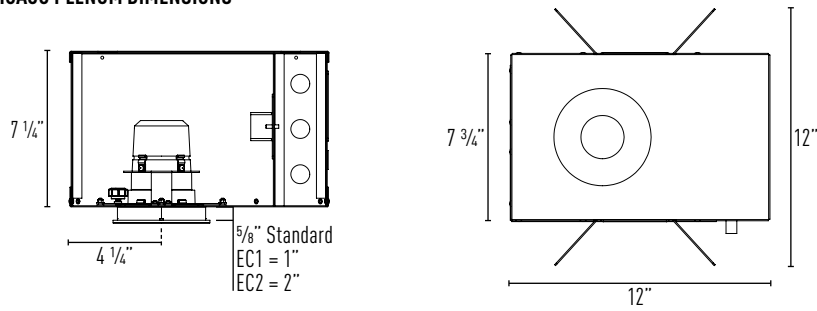
<b>JOB NAME</b>		<b>CATALOG NUMBER</b>	
<b>NOTES</b>		<b>TYPE</b>	

## NON-IC & AIR TIGHT IC DIMENSIONS



Ceiling Cut Out: 4 1/8"

## CCEA CHICAGO PLENUM DIMENSIONS



Ceiling Cut Out: 4 1/8"